



ŞAFTSAN KARDAN
MİLİ MAK OTOM SAN VETİC LTD ŞTİ

TEKNİK KATALOG

Contents

Page

1	TİRSAN standart ürün serisi & tork değerleri.....	2-3
2	Komple askı	4
3	Şaft ucu flanşı	10
4	Çatallı flanş	16
5	Mekanik seri parçalar	24
6	Ara yatak mili	29
7	Ara çatal	33
8	Komple ara yatak	35
9	Delikli ara yatak flanşı	41
10	Kayıcı mil	43
11	Komple kayıcı takım	49
12	Kayıcı çatal	68
13	Tüp çatal	72
14	Boru	84
15	Mafsal istavrozu	86
16	Çatallı kayıcı mil	93
17	SWC serileri	97
18	Ön & Arka şaft soru formu	98
19	Teknik soru formu	100
20	Bakım Kılavuzu.....	102

TORK DEĞERLERİ

SERİ/SERIE	MAX. TORK / MAX TORQUE (Nm)	İSTAVROZ BOYUTLARI / UJ DIMENSIONS (mm)	DÖNME ÇAPI / SWING DIAMETER(mm)	SPLINE DIN5480
SAE SERIES				
1140	1.130	Ø23.8 x 61.2	76,2	1 1/16 x 16C
1300	1.630	Ø27 x 74.6	90,5	1 3/8 x 16C - 1 1/2 x 16C
1310	1.940	Ø27 x 81.8	96,8	1 3/8 x 16C - 1 1/2 x 16C
1350	2.770	Ø30.2 x 92	107	1 1/2 x 16C
1410	3.400	Ø30.2 x 106.3	122	1 1/2 x 16C
1480	3.900	Ø35 x 106.4	136	1 3/4 x 16C
1510	5.020	Ø39.7 x 115.8	136	1 3/4 x 16C
1600	6.920	Ø47.6 x 134.9	173	2 x 16C
1630	5.950	Ø39.7 x 115.8	136	2 x 16C
1800	15.860	Ø59 x 167.5	200	Ø75x2.5x28
DIN SERIES				
587-10	3.000	Ø35 x 96.8	116	Ø45 x 2.5 x 16
587-20	6.200	Ø48 x 116.5	141	Ø55 x 2.5 x 20
385 MRC	8.000	Ø48 x 126	148	Ø65 x 2.5 x 24
587-30	10.000	Ø52 x 133	158	Ø65 x 2.5 x 24
389 MRC	11.800	Ø53 x 135	158	Ø72 x 2.5 x 27
587-35	12.000	Ø57 x 144	170	Ø75 x 2.5 x 28
587-42	17.000	Ø57 x 152	178	Ø80 x 2.5 x 30
385-60 MRC	31.000	Ø68 x 89 (IC)	178	Ø80 x 2.5 x 30
587-50	43.000	Ø72 x 185	215	Ø90 x 2.5 x 34
587-55	52.000	Ø74 x 217	250	Ø115 x 2.5 x 44
687-15	2.400	Ø27 x 74,5	90	Ø36 x 1,5 x 22
687-20	3.500	Ø30,2 x 81,8	98	Ø40 x 1,5 x 24
687-25	5.000	Ø34,9 X 92	113	Ø45 x 1,5 x 28
687-30	6.500	Ø35 X 106,4	127	Ø48 x 1,5 x 30
687-35	10.000	Ø42 x 119,4	144	Ø54 x 1,5 x 34
687-40	14.000	Ø48 x 135,2	160	Ø62 x 1,75 x 34
687-45	17.000	Ø52 x 147	174	Ø68 x 1,75 x 38
687-55	25.000	Ø57 x 152	178	Ø78 x 2 x 38
687-60	30.000	Ø59 x 167.69	196	Ø82 x 2 x 40
687-65	35.000	Ø65 x 172	206	Ø90 x 2,5 x 34
WING TYPES				
6C	7.200		150	Ø45x2x21
7C	10.700		158	Ø55x2,5x20
8,5C	20.300		175	Ø75x2,5x28
9C	27.400		223	Ø90x2,5x34



ÖLÇÜ VE RESİMLER BAĞLAYICI OLMAYIP, BİLDİRMEKSİZİN DEĞİŞTİRİLEBİLİR
DIMENSIONS AND ILLUSTRATIONS ARE SUBJECT TO CHANGE, AND WE RESERVE THE RIGHT TO INTRODUCE MODIFICATIONS WITHOUT PRIOR NOTICE



TİRSAN Standart Ürün Serileri

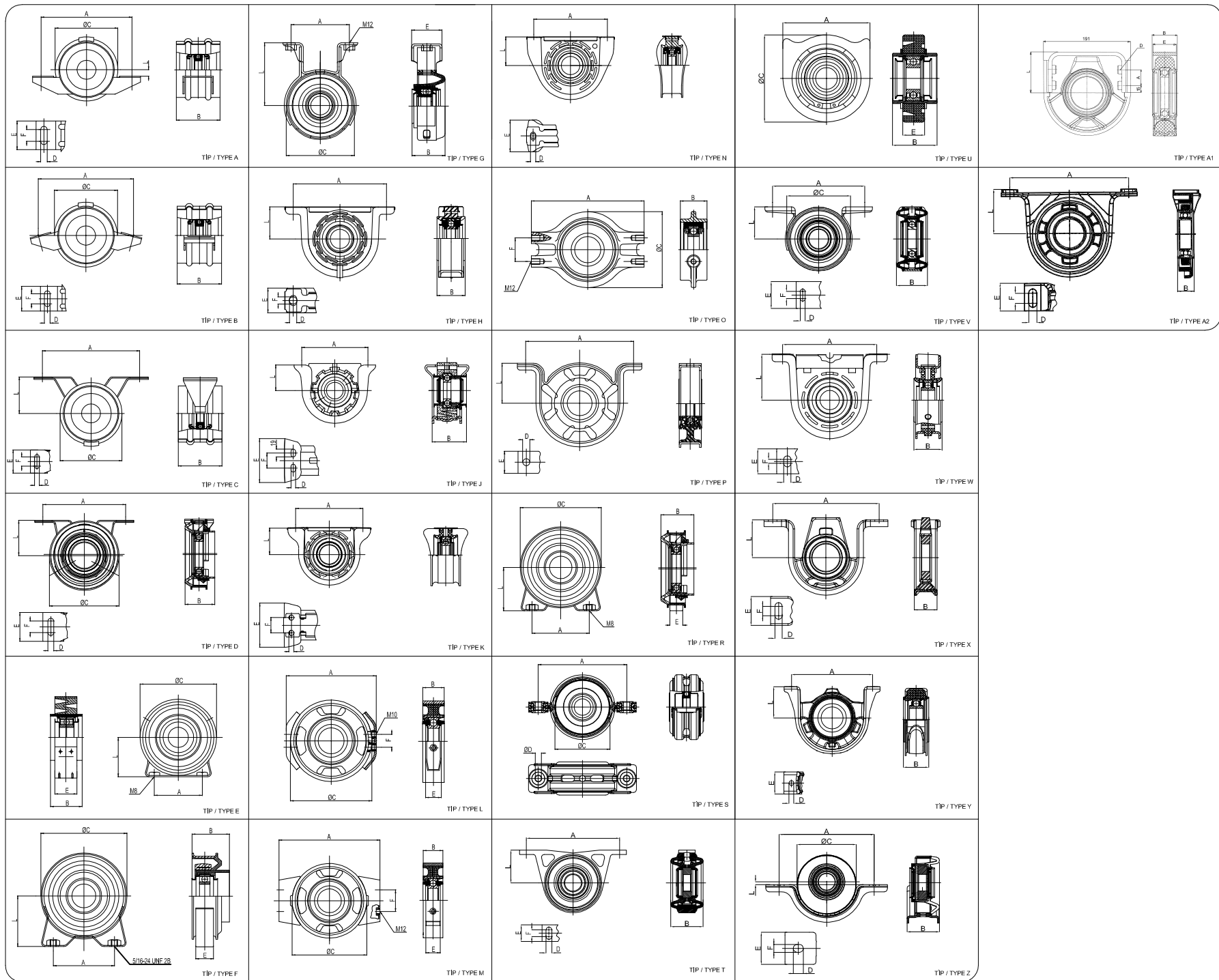
SAE	300&400
SAE	500
SAE	1140
SAE	1300
SAE	1310
SAE	1350
SAE	1410
SAE	1480
SAE	1510
SAE	1550
SAE	1630
Ford Transit & Iveco Daily OE Shafts	
Wing Type Parts (TY,SA,SC)	6C - 7C - 8,5C - 9C
All Type Propshaft Tubes	

Mercedes	385 / 286.33
Mercedes	389 / 286.37
Mercedes	395 / 587.42
Mercedes	385.60 (68 x 89 Actros)
DIN (Old Type)	587.10
DIN (Old Type)	587.20 (UJ)
DIN (Old Type)	587.30
DIN (Old Type)	587.35
DIN (Old Type)	587.42
DIN (Old Type)	587.48
DIN (Old Type)	587.50 (SA&TY)
DIN (Old Type)	587.55 (TY)
Volvo	NK400 (50x152mm) NK500 (57x152mm)
Scania	P400 (48x161mm) P500 (57x164mm)

DIN (New Type)	687.15
DIN (New Type)	687.20
DIN (New Type)	687.30
DIN (New Type)	687.35
DIN (New Type)	687.40
DIN (New Type)	687.45
DIN (New Type)	687.55
DIN (New Type)	687.60
DIN (New Type)	687.65
1. SFL Universal Joints with INA & SKF cups. 2. Short Couples 3. Mercedes Sprinter / VW Crafter / Ford Transit / Iveco Daily Service Kits 4. Center Bearing Kits	



KOMPLE ASKI / CENTER BEARING



ÖLÇÜ VE RESİMLER BAĞLAYICI OLMAYIP, BİLDİRMEKSİZİN DEĞİŞTİRİLEBİLİR
 DIMENSIONS AND ILLUSTRATIONS ARE SUBJECT TO CHANGE, AND WE RESERVE THE RIGHT TO INTRODUCE MODIFICATIONS WITHOUT PRIOR NOTICE

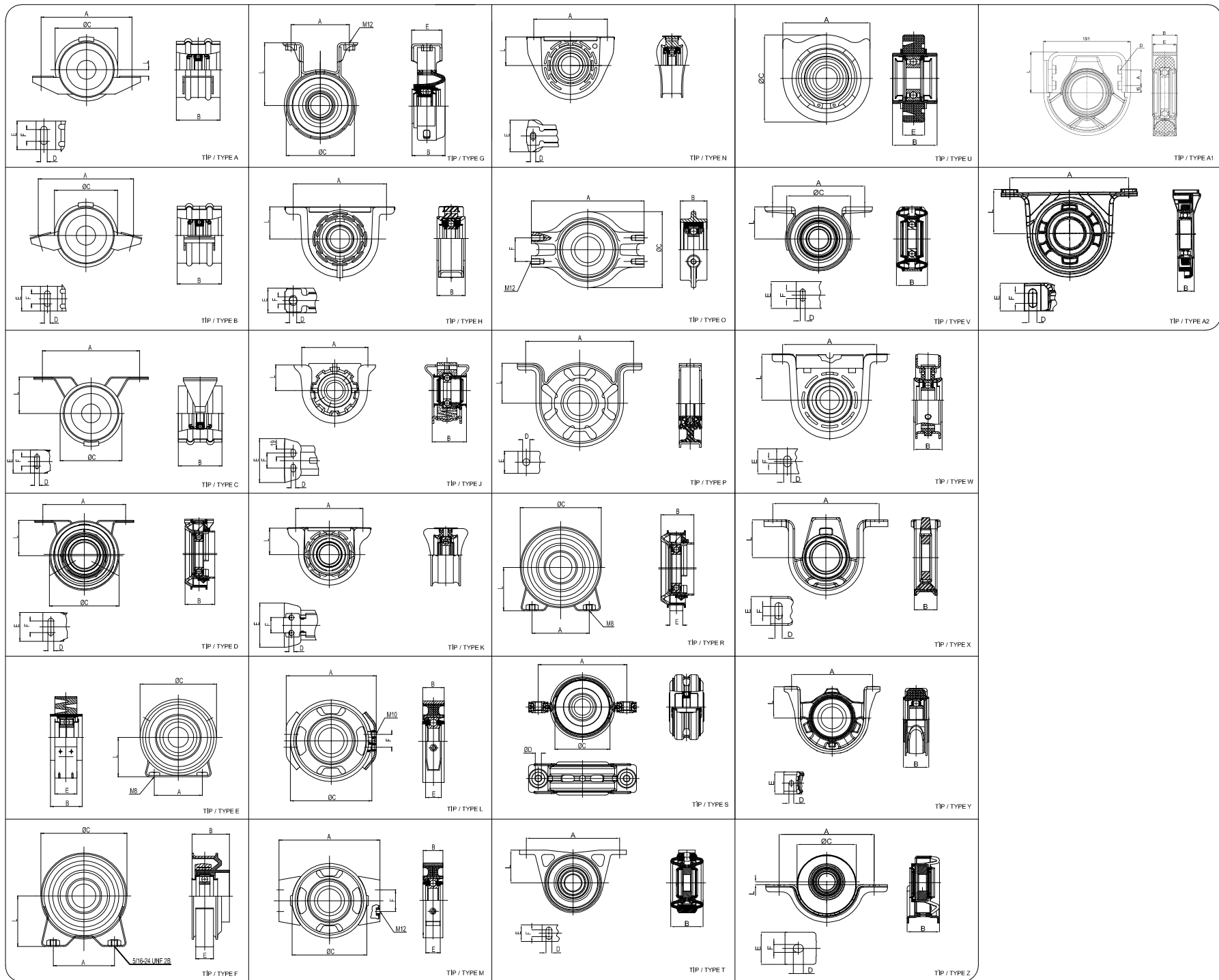


KOMPLE ASKI
CENTER BEARING

PARÇA/PART NO.	TİP/TYPE	A	B	ØC	D	E	F	L	RULMAN/BEARING
CB.02518.01.02	E	76	40	103	-	28	-	54	Ø25x18
CB.03013.01.02	B	140	73	91	10,5	50	21,5	-	Ø30x13
CB.03013.02.02	D	144	44,2	108	10	50	20	64	
CB.03013.03.02	A	150	73	91	11,5	50	20,5	8,5	
CB.03013.04.02	F	76	47	108	-	22,2	-	63,5	
CB.03013.06.02	C	168,2	73	91	11	50	21	57,9	
CB.03013.12.02	D	144	44,2	112,5	10	50	20	62	
CB.03013.13.02	D	144	44,2	112	10	50	20	64	
CB.03013.16.02	D	168	44,2	112	13	50	17	64	
CB.03013.19.02	C	150	73	91	13	65	8,5	49	
CB.03015.02.02	H	168,4	45	-	14,3	45	12,7	58	Ø30x15
CB.03015.03.02	T	168,5	56,4	-	10,5	30	12	59,15	
CB.03015.04.02	H	168,4	36,1	-	12,7	30,8	12,7	58	
CB.03016.01.02	G	94	50	108	-	48	-	101	Ø30x16
CB.03016.02.02	S	160	54	118	10,8	-	-	-	
CB.03016.04.02	G	94	50	108	-	48	-	101	
CB.03016.07.02	G	94	50	108	-	48	-	101	
CB.03016.08.02	Z	172	58	107	18	58	17	3	
CB.03020.01.02	U	121,1	62	121,1	-	30,4	-	-	Ø30x20
CB.03514.01.02	D	144	44,2	112	10	50	20	64	Ø35x14
CB.03517.01.02	H	168,4	50,8	-	12,7	45	12,7	58	Ø35x17
CB.03517.05.02	V	170	56	115,1	9	48	13	58,1	
CB.03517.06.02	V	168,2	56	115	12,7	48,6	6,3	58,1	
CB.03525.01.02	H	168,4	50,8	-	12,7	45	12,7	58	Ø35x25
CB.03525.05.02	W	170	50,8	-	13	45	7	82,7	



KOMPLE ASKI / CENTER BEARING

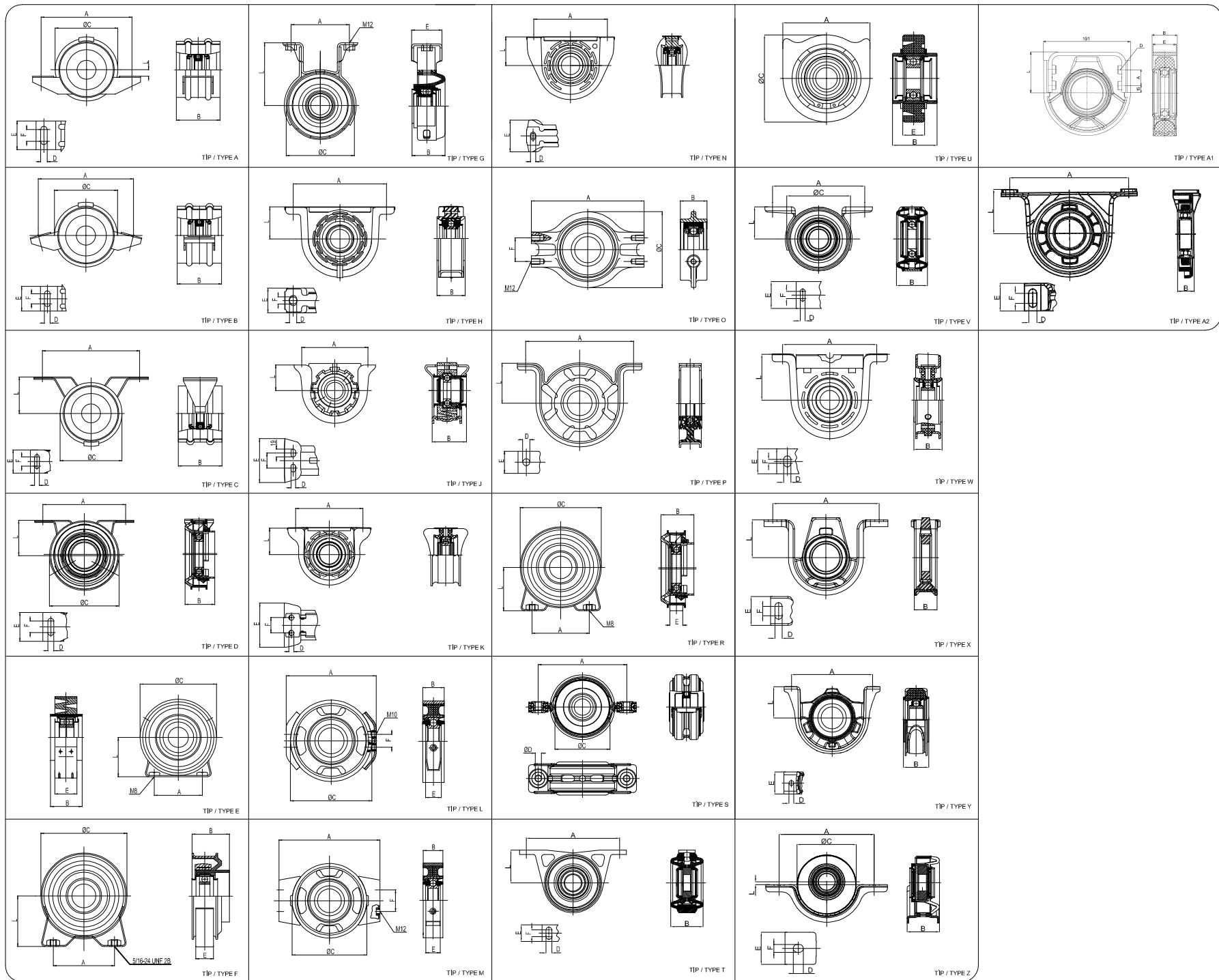


KOMPLE ASKI
CENTER BEARING

PARÇA/PART NO.	TİP/TYPE	A	B	ØC	D	E	F	L	RULMAN/BEARING
CB.04018.01.02	J	157,4	80,5	-	11	105	36	61	Ø40x18
CB.04022.02.02	H	168,4	40,4	-	12,7	35,5	12,7	58	Ø40x22
CB.04027.01.02	H	168,4	55,6	-	12,7	50,8	12,7	62,75	Ø40x27
CB.04027.13.02	W	170	55,6	-	13	50,8	7	82,7	
CB.04516.02.02	D	144	51,7	121	10	50	20	62	Ø45x16
CB.04516.03.02	D	168,4	51,7	121	12,7	50	20	62	
CB.04516.04.02	R	80	51,7	121	-	22,2	-	61	
CB.04519.01.02	H	193,8	55,6	-	14,3	57,2	12,7	69,1	Ø45x19
CB.04519.03.02	P	195	-	-	13	40	-	72,5	
CB.04519.04.02	H	193,8	57,2	-	14,3	57,2	12,7	69,1	
CB.04519.08.02	K	158,4	-	-	12	104	36	62	
CB.04519.09.02	X	195,1	40,9	-	13,5	52	16,7	68,6	
CB.04527.01.02	H	193,8	55,6	-	14,3	57,2	12,7	69,1	Ø45x27
CB.04527.05.02	H	193,8	60	-	14,3	57,2	12,7	69,1	
CB.04721.01.02	A2	194,2	26,8	-	13,4	45	17	72	Ø47x21
CB.05016.01.02	X	195	41	-	13	52	17	68,5	Ø50x16
CB.05518.01.02	H	193,8	58	-	15,9	57,2	14,2	71,4	Ø55x18
CB.05525.01.02	O	233	54	160	-	-	50	-	Ø55x25
CB.05525.02.02	L	190	45	172	-	33,3	27	-	
CB.05525.03.02	N	219,5	-	-	15,9	96	-	85,7	
CB.05525.04.02	M	233	45	172	-	33,3	50	-	
CB.06022.01.02	N	219,5	-	-	15,9	96	-	85,7	Ø60x22
CB.06022.02.02	N	230	-	-	15,9	96	-	85,7	



KOMPLE ASKI / CENTER BEARING



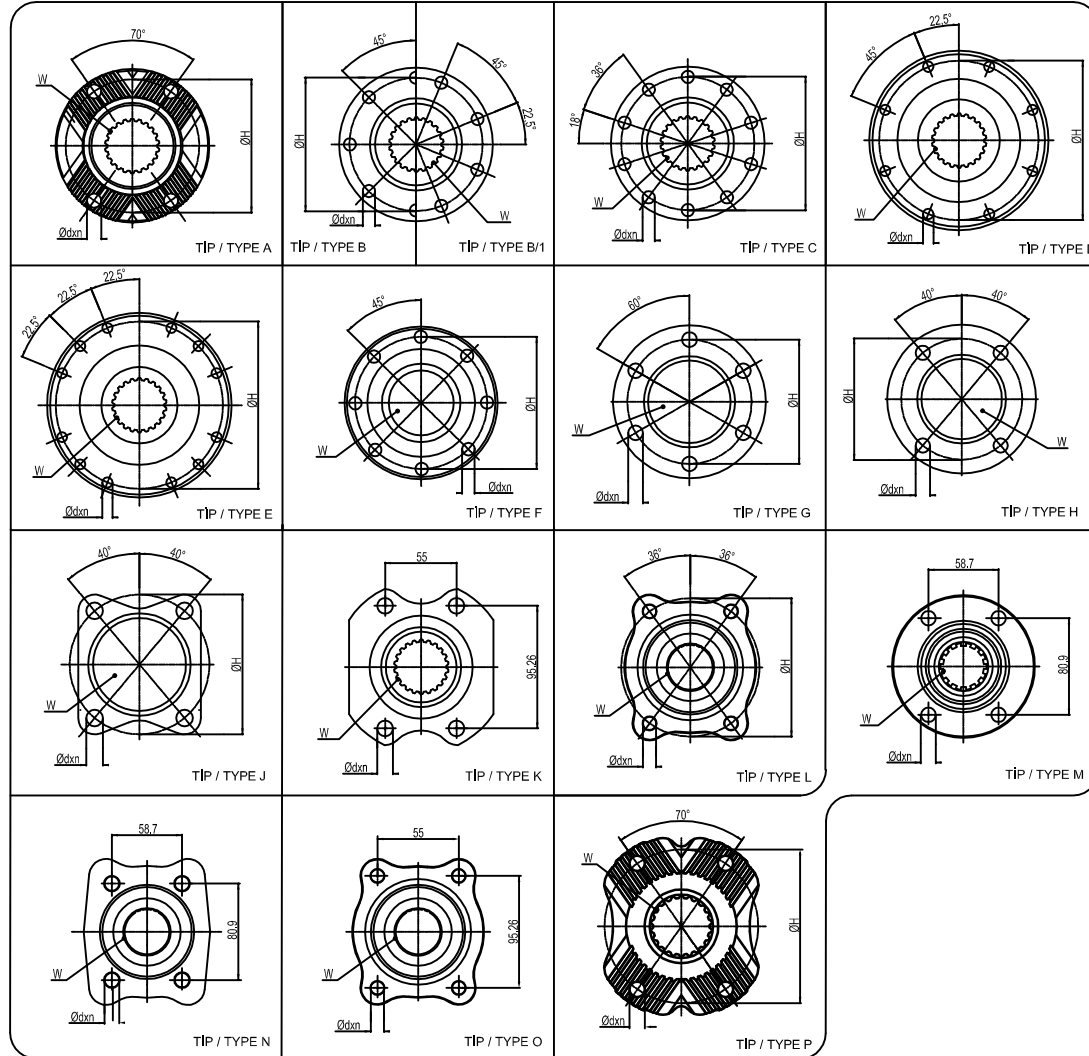
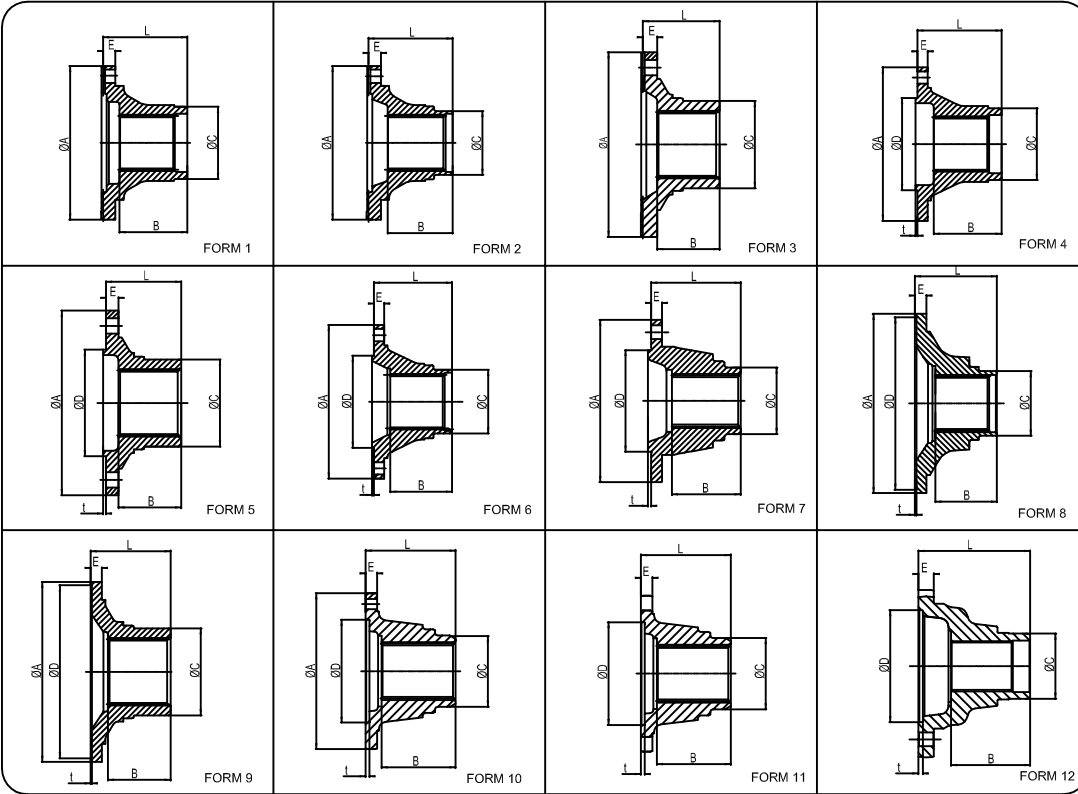
KOMPLE ASKI
CENTER BEARING

PARÇA/PART NO.	TİP/TYPE	A	B	ØC	D	E	F	L	RULMAN/BEARING
CB.06025.01.02	N	230	-	-	17	96	-	85,7	Ø60x25
CB.06036.03.02	Y	220	69	-	13	60	-	84,3	Ø60x36
CB.06036.04.02	Y	230	104,2	-	15,1	82,7	-	84	
CB.06523.01.02	N	230	-	-	17	96	-	85,7	Ø65x23
CB.06536.02.02	Y	230	104,2	-	15,1	82,7	-	84	Ø65x36
CB.07020.01.02	N	198,4	-	-	-	-	-	-	Ø70x20
CB.07020.02.02	A1	35	55	-	M12x1,5	52	-	90,2	



ARA YATAK FLANŞI
COMPANION FLANGE

ARA YATAK FLANŞI
COMPANION FLANGE



ÖLÇÜ VE RESİMLER BAĞLAYICI OLMAYIP, BİLDİRMEKSİZİN DEĞİŞTİRİLEBİLİR
DIMENSIONS AND ILLUSTRATIONS ARE SUBJECT TO CHANGE, AND WE RESERVE THE RIGHT TO INTRODUCE MODIFICATIONS WITHOUT PRIOR NOTICE



ARA YATAK FLANŞI
COMPANION FLANGE

SERİ/SERIE	PARÇA/PART NO.	FORM/TYPE	ØA	BAĞLANTI/CONNECTION	B	ØC	ØD	E	ØH	Ødxn	t	L	W	DÖVME/FORGING
00385	CF.00385.01.02	1A	150	XS 150	66	70,1	-	12	130	13x4	-	82	Ø55x2,5x30 °x20	DÖVME/FORGING
	CF.00385.03.02	2A	154	XS 154	60	62,1	-	12	130	13x4	-	78,5	Ø55x2,5x30 °x20	DÖVME/FORGING
	CF.00385.04.02	1A	150	XS 150	66	70,1	-	12	130	13x4	-	82	Ø55x2,5x30 °x20	DÖVME/FORGING
	CF.00385.05.02	8D	175	SAE 174,6	60	63	168,2	11,1	155,5	9,8x8	1,5	80	Ø55x2,5x30 °x20	DÖVME/FORGING
00389	CF.00389.01.02	2A	150	XS 150	88,5	72	-	12	130	13,1x4	-	97,5	Ø60x2,5x30 °x22	DÖVME/FORGING
58730	CF.58730.01.02	6C	180	DIN 180	60	63	110	12	155,5	16,1x10	2,3	82	Ø55x2,5x30 °x20	DÖVME/FORGING
	CF.58730.02.02	4B/1	180	DIN 180	66	70,1	110	12	155,5	14,1x8	2,3	82	Ø55x2,5x30 °x20	DÖVME/FORGING
	CF.58730.04.02	2A	180	XS 180	61,8	72	-	14	150	15x4	-	76,5	Ø60x2,5x30 °x22	DÖVME/FORGING
	CF.58730.10.02	2A	180	XS 180	60	62,1	-	12	150	15x4	-	74,5	Ø55x2,5x30 °x20	DÖVME/FORGING
	CF.58730.11.02	2A	180	XS 180	60,3	72	-	14	150	15x4	-	75	Ø60x2,5x30 °x22	DÖVME/FORGING
58735	CF.58735.04.02	5C	180	DIN 180	63,3	85	110	12	155,5	16,1x10	2,3	74,2	Ø65x2x30 °x31	DÖVME/FORGING
68720	CF.68720.03.02	11L	-	-	51,5	43	60	8	90	10,2x4	2,5	68	SAE Ø34,9X10C	DÖVME/FORGING
	CF.68720.05.02	2A	120	XS 120	51,5	45	-	10	100	11x4	-	63	SAE Ø34,9X10C	DÖVME/FORGING
68725	CF.68725.01.02	12N	-	-	60	49,8	80	12	-	12,2x4	4	79,2	Ø40x2,5x30 °x14	DÖVME/FORGING
68730	CF.68730.02.02	12N	-	-	59,5	49,8	80	12	100	12,2x4	3	79	Ø40x22x1,667	DÖVME/FORGING
	CF.68730.03.02	2A	154	XS 154	52	55,6	-	12	130	13x4	-	71,5	Ø45x2,5x30 °x16	DÖVME/FORGING
	CF.68730.04.02	7B/1	120	DIN 120	50,8	49,3	75	8	101,5	10,1x8	2,3	66,3	Ø40x2,5x30 °x14	DÖVME/FORGING
	CF.68730.05.02	11K	-	-	56,5	55,6	80	9	-	12,2x4	3	69	Ø45x2,5x30 °x16	DÖVME/FORGING
	CF.68730.06.02	12O	-	-	59,5	49,8	80	8	-	12,2x4	3	79,2	Ø40x22x1,667	DÖVME/FORGING
68740	CF.68740.01.02	3A	154	XS 154	63,3	85	-	12	130	13x4	-	75	Ø65x2x30 °x31	DÖVME/FORGING
	CF.68740.02.02	2A	154	XS 154	62	72	-	12	130	13x4	-	76,5	Ø60x2,5x30 °x22	DÖVME/FORGING
68745	CF.68745.01.02	3A	180	XS 180	63,3	85	-	14	150	15x4	-	75	Ø65x2x30 °x31	DÖVME/FORGING
	CF.68745.02.02	2A	180	XS 180	60	62,1	-	14	150	15x4	-	71	Ø55x2,5x30 °x20	DÖVME/FORGING
	CF.68745.03.02	3P	180	XS 180	54,3	72	-	14	150	15x4	-	69	Ø60x2,5x30 °x22	DÖVME/FORGING
	CF.68745.04.02	3P	180	XS 180	76,8	75	-	14	150	15x4	-	92,5	Ø60x2,5x30 °x22	DÖVME/FORGING

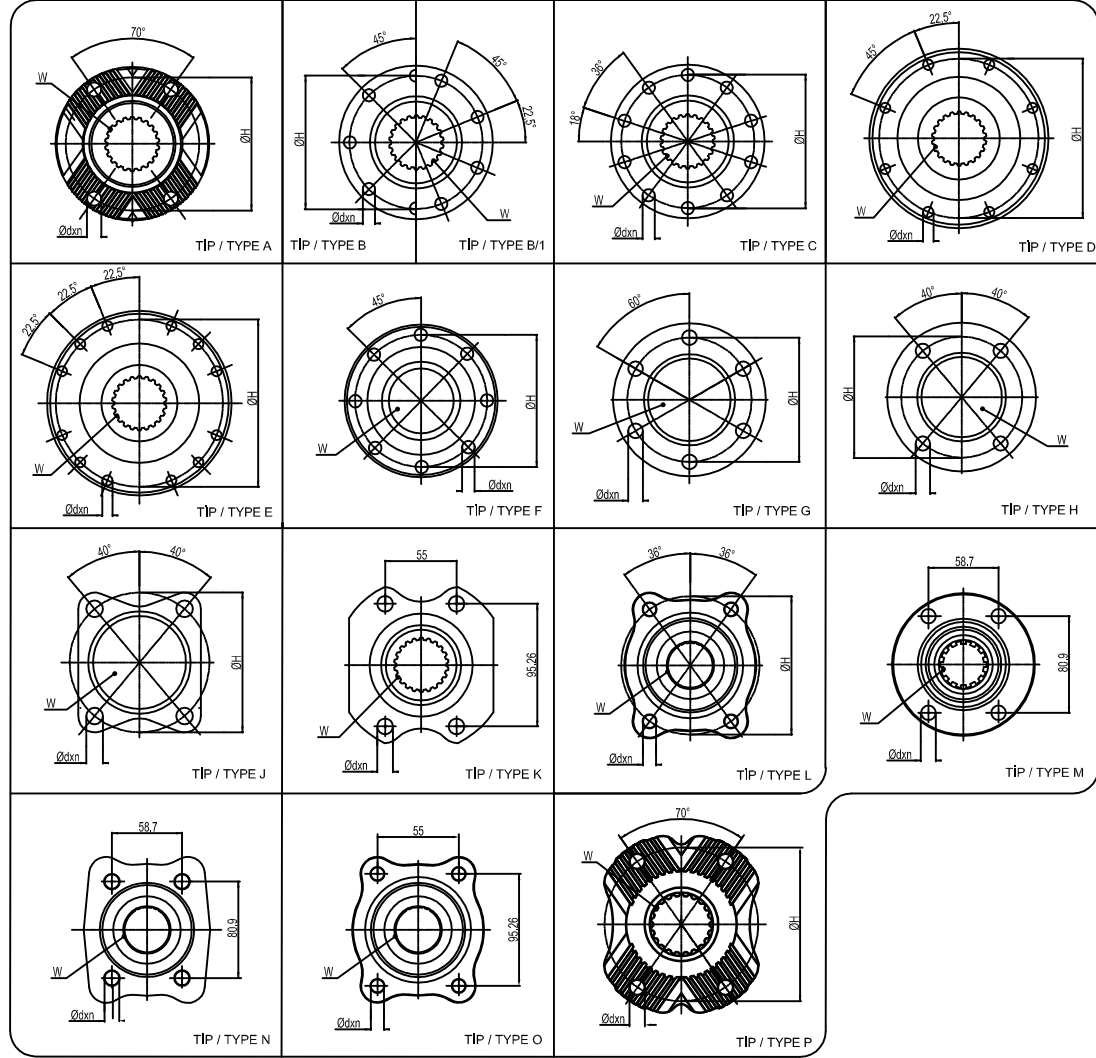
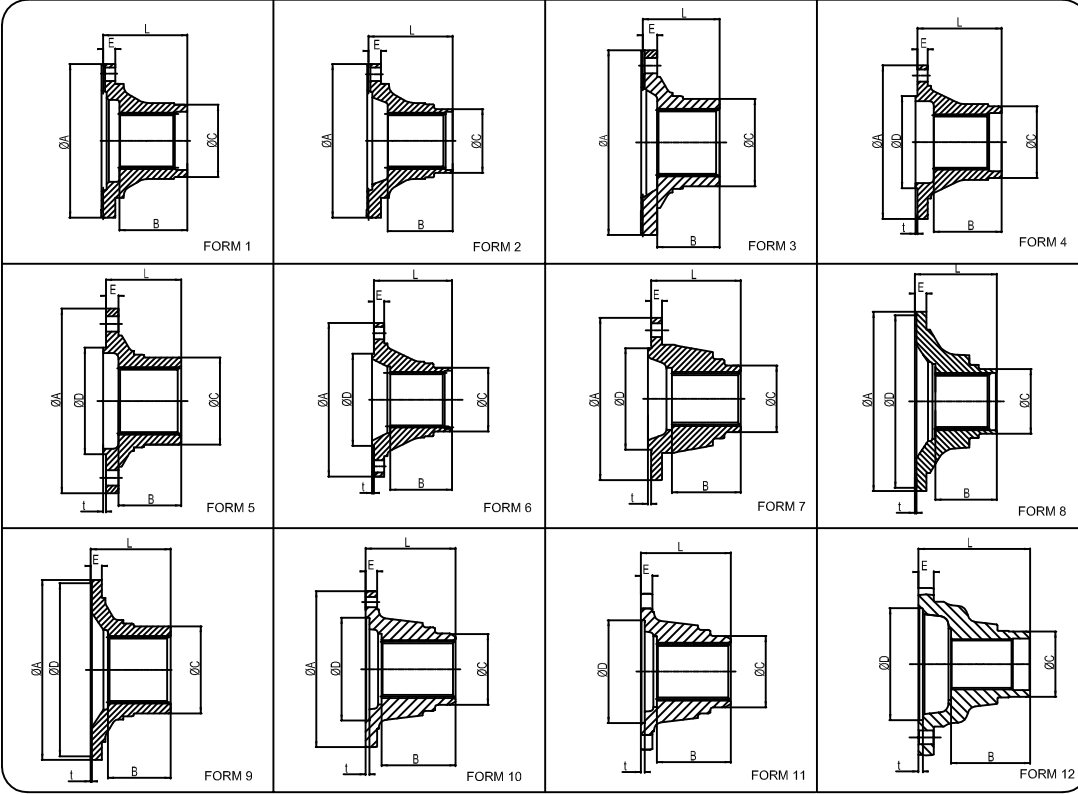


ÖLÇÜ VE RESİMLER BAĞLAYICI OLMAYIP, BİLDİRMEKSİZİN DEĞİŞTİRİLEBİLİR
DIMENSIONS AND ILLUSTRATIONS ARE SUBJECT TO CHANGE, AND WE RESERVE THE RIGHT TO INTRODUCE MODIFICATIONS WITHOUT PRIOR NOTICE



ARA YATAK FLANŞI
COMPANION FLANGE

ARA YATAK FLANŞI
COMPANION FLANGE



ÖLÇÜ VE RESİMLER BAĞLAYICI OLMAYIP, BİLDİRMEKSİZİN DEĞİŞTİRİLEBİLİR
DIMENSIONS AND ILLUSTRATIONS ARE SUBJECT TO CHANGE, AND WE RESERVE THE RIGHT TO INTRODUCE MODIFICATIONS WITHOUT PRIOR NOTICE



ARA YATAK FLANŞI
COMPANION FLANGE

SERİ/SERIE	PARÇA/PART NO.	FORM/TYPE	ØA	BAĞLANTI/CONNECTION	B	ØC	ØD	E	ØH	Ødxn	t	L	W	DÖVME/FORGING
68755	CF.68755.01.02	8E	203,2	SAE 203,2	70	72	196,8	11,2	184,15	11,1x12	1,5	94	Ø60x2,5x30°x22	DÖVME/FORGING
	CF.68755.02.02	9E	203,2	SAE 203,2	63,3	85	196,8	11,2	184,15	11,1x12	1,5	89	Ø65x2x30°x31	DÖVME/FORGING
	CF.68755.03.02	1A	180	XS 180	63,3	85	-	14	150	15x4	-	95,5	Ø65x2x30°x31	DÖVME/FORGING
	CF.68755.04.02	1P	180	XS 180	61,8	72,9	-	14	150	15x4	-	76,5	Ø60x2,5x30°x22	DÖVME/FORGING
68765	CF.68765.02.02	3P	180	XS 180	63,3	78,8	-	14	150	15x4	-	79	Ø65x2x30°x31	DÖVME/FORGING
	CF.68765.03.02	3P	180	XS 180	76,8	80	-	14	150	15x4	-	92,5	Ø65x2x30°x31	DÖVME/FORGING
01310	CF.01310.01.02	10H	97	SAE 96,8	36	42,9	60,3	7	79,4	9,8x4	2	60,5	SAE Ø34,9x10C	DÖVME/FORGING
	CF.01310.13.02	12L	-	-	46	37,9	65	9	85	8,1x4	2,5	65	Ø29,2x26C	DÖVME/FORGING
01410	CF.01410.01.02	10H	-	-	50,8	49,3	69,9	8	95,25	11,1x4	2	68,3	SAE Ø38,1x10C	DÖVME/FORGING
	CF.01410.02.02	9H	120	DIN 120	50,8	57,2	69,9	7,9	95,25	11,2x4	2	65	SAE Ø38,1x10C	DÖVME/FORGING
	CF.01410.03.02	11J	-	-	50,8	49,3	69,9	8	95,25	12,1x4	2	68,3	Ø40x2,5x30°x14	DÖVME/FORGING
	CF.01410.05.02	11J	-	-	50,8	49,3	69,9	8	95,25	11,1x4	2	68,3	Ø40x2,5x30°x14	DÖVME/FORGING
	CF.01410.14.02	10M	120	DIN 120	51,4	49,3	80	10	-	10,2x4	2	69,9	SAE Ø38,1x10C	DÖVME/FORGING
	CF.01410.18.02	10H	-	-	50,8	49,3	69,9	8	95,25	12,1x4	2	68,3	SAE Ø38,1x10C	DÖVME/FORGING
	CF.01410.20.02	1A	120	XS 120	48	58,8	-	10	100	11x4	-	59	Ø40x1,25x30°x30	DÖVME/FORGING
CF.01410.21.02	10H	120	DIN 120	48	58,8	69,9	8	95,25	12,1x4	2	59	Ø40x1,25x30°x30	DÖVME/FORGING	
01480	CF.01480.01.02	10M	120	DIN 120	51,4	49,3	80	10	-	12,2x4	2	69,9	Ø40x2,5x30°x14	DÖVME/FORGING
	CF.01480.02.02	7G	120	DIN 120	51,4	49,3	75	8	101,5	8,1x6	2,3	69,9	Ø40x2,5x30°x14	DÖVME/FORGING
	CF.01480.03.02	2A	120	XS 120	57,1	55,6	-	12	100	11x4	-	76,2	Ø45x2,5x30°x16	DÖVME/FORGING
	CF.01480.04.02	3A	120	XS 120	53,1	55,6	-	12	100	11x4	-	72,2	Ø45x2,5x30°x16	DÖVME/FORGING
01510	CF.01510.01.02	11J	-	-	50,8	49,3	95,25	9,5	120,67	12,8x4	3	68,3	SAE Ø38,1x10C	DÖVME/FORGING
	CF.01510.06.02	11J	-	-	50,8	49,3	P	9,5	120,67	14,2x4	3	68,3	SAE Ø38,1x10C	DÖVME/FORGING
	CF.01510.07.02	7B/1	120	DIN 120	50,8	49,3	75	7	101,5	10,1x8	2,3	64,5	SAE Ø38,1x10C	DÖVME/FORGING
01600	CF.01600.02.02	8D	175	SAE 174,6	57,1	55,6	168,3	11,2	155,5	9,8x8	1,4	74,7	SAE Ø44,45x10C	DÖVME/FORGING
	CF.01600.08.02	8F	175	SAE 174,6	57,1	55,6	168,3	11,2	155,5	9,8x8	1,4	74,7	SAE Ø44,45x10C	DÖVME/FORGING
	CF.01600.12.02	10G	120	DIN 120	58	55,6	82,6	11	101,6	10,1x6	2,3	73	SAE Ø44,45x10C	DÖVME/FORGING

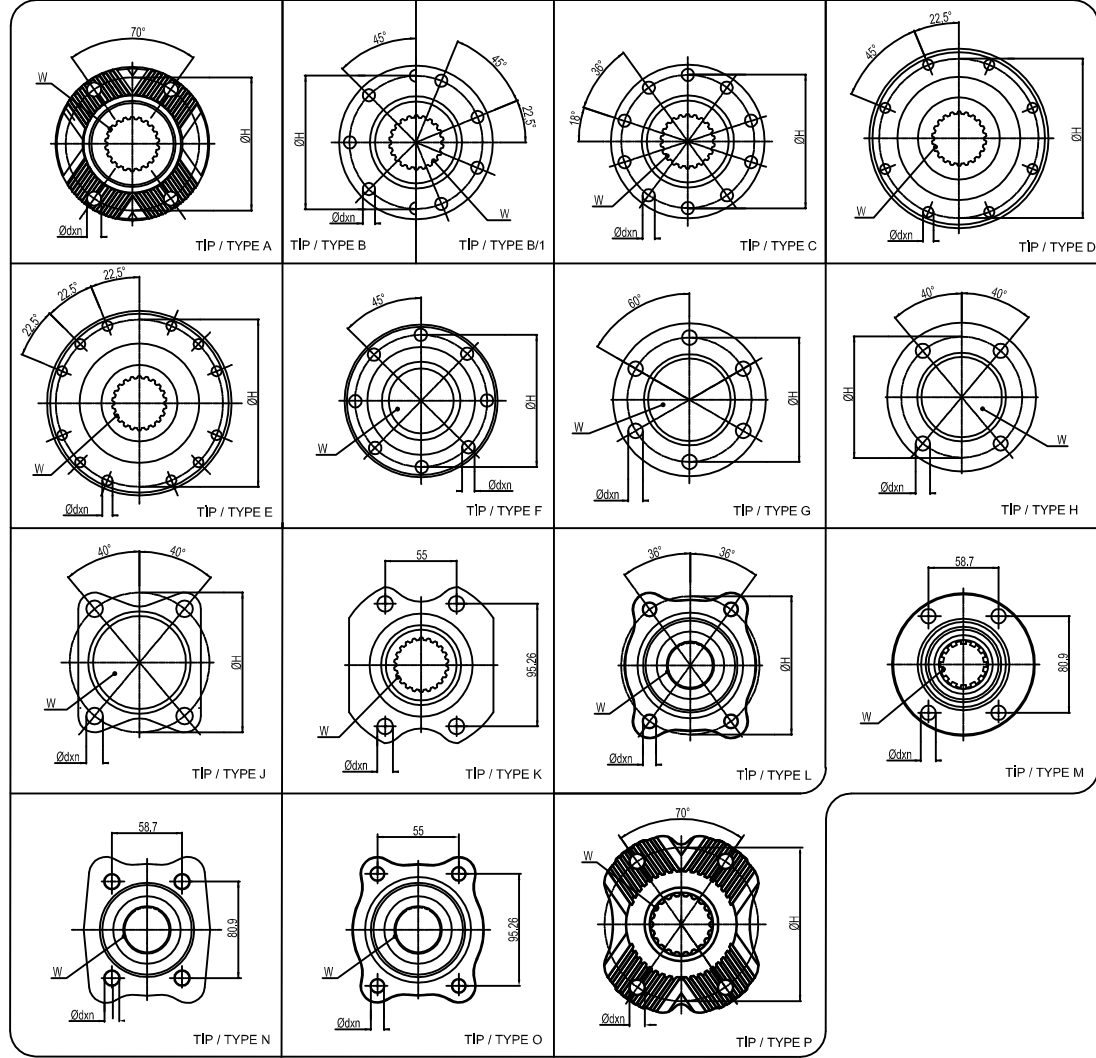
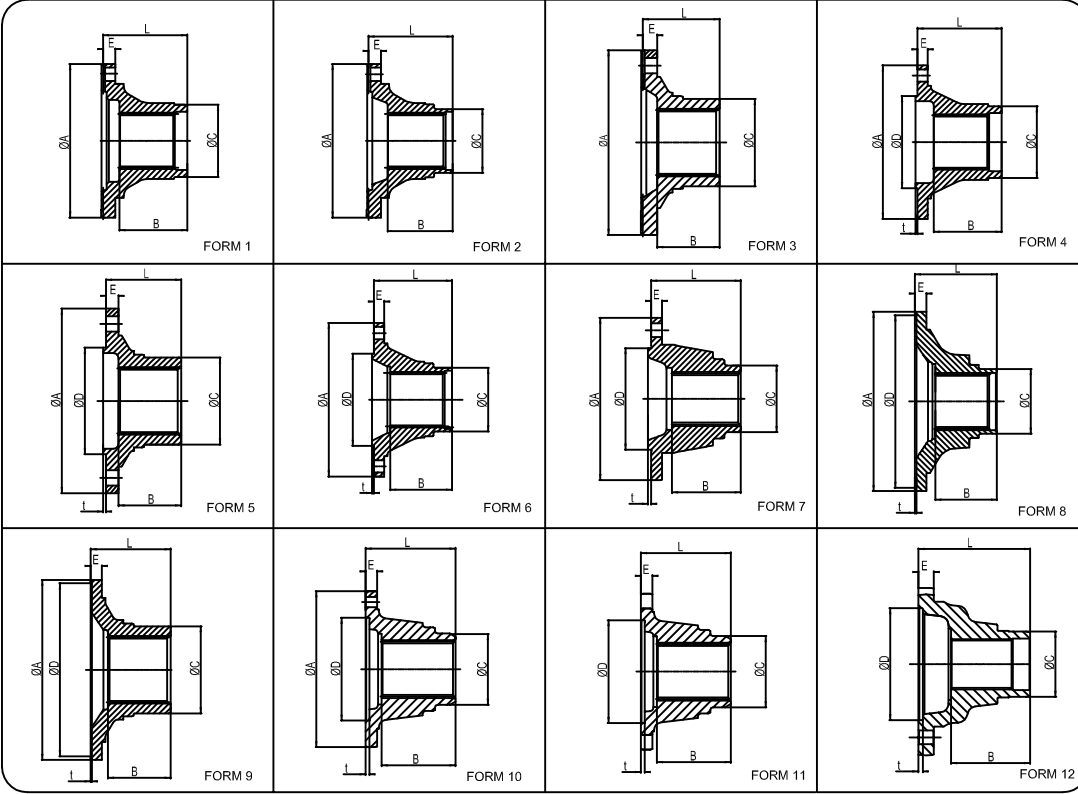


ÖLÇÜ VE RESİMLER BAĞLAYICI OLMAYIP, BİLDİRMEKSİZİN DEĞİŞTİRİLEBİLİR
DIMENSIONS AND ILLUSTRATIONS ARE SUBJECT TO CHANGE, AND WE RESERVE THE RIGHT TO INTRODUCE MODIFICATIONS WITHOUT PRIOR NOTICE



ARA YATAK FLANŞI
COMPANION FLANGE

ARA YATAK FLANŞI
COMPANION FLANGE



ÖLÇÜ VE RESİMLER BAĞLAYICI OLMAYIP, BİLDİRMEKSİZİN DEĞİŞTİRİLEBİLİR
DIMENSIONS AND ILLUSTRATIONS ARE SUBJECT TO CHANGE, AND WE RESERVE THE RIGHT TO INTRODUCE MODIFICATIONS WITHOUT PRIOR NOTICE



ARA YATAK FLANŞI
COMPANION FLANGE

SERİ/SERIE	PARÇA/PART NO.	FORM/TYPE	ØA	BAĞLANTI/CONNECTION	B	ØC	ØD	E	ØH	Ødxn	t	L	W	DÖVME/FORGING
01630	CF.01630.01.02	8D	175	SAE 174,6	57,1	55,5	168,3	11,2	155,5	9,8x8	1,4	79,6	SAE Ø44,45x10C	DÖVME/FORGING
	CF.01630.02.02	10H	146	SAE 146	57,1	55,6	95,25	9,5	120,65	14,2x4	3,3	73	SAE Ø44,45x10C	DÖVME/FORGING
	CF.01630.04.02	10H	146	SAE 146	57,1	55,6	95,25	9,5	120,67	12,8x4	3,3	76,2	SAE Ø44,45x10C	DÖVME/FORGING
	CF.01630.05.02	10H	146	SAE 146	57,1	55,6	95,25	9,5	120,67	14,2x4	3,3	76,2	SAE Ø44,45x10C	DÖVME/FORGING
	CF.01630.06.02	7B/1	150	DIN 150	59	55,5	90	10	130	12,1x8	2,3	78	SAE Ø44,45x10C	DÖVME/FORGING
	CF.01630.10.02	10H	146	SAE 146	53,1	55,6	95,25	9,5	120,67	12,8x4	3,3	72,2	SAE Ø44,45x10C	DÖVME/FORGING
	CF.01630.11.02	10H	146	SAE 146	57,1	55,6	95,25	9,5	120,67	14,2x4	3,3	76,2	Ø45x2,5x30 x16	DÖVME/FORGING
01800	CF.01800.01.02	8E	203,2	SAE 203,2	70	72	196,8	11,2	184,15	11,1x12	1,5	94	SAE Ø57,1x10C	DÖVME/FORGING

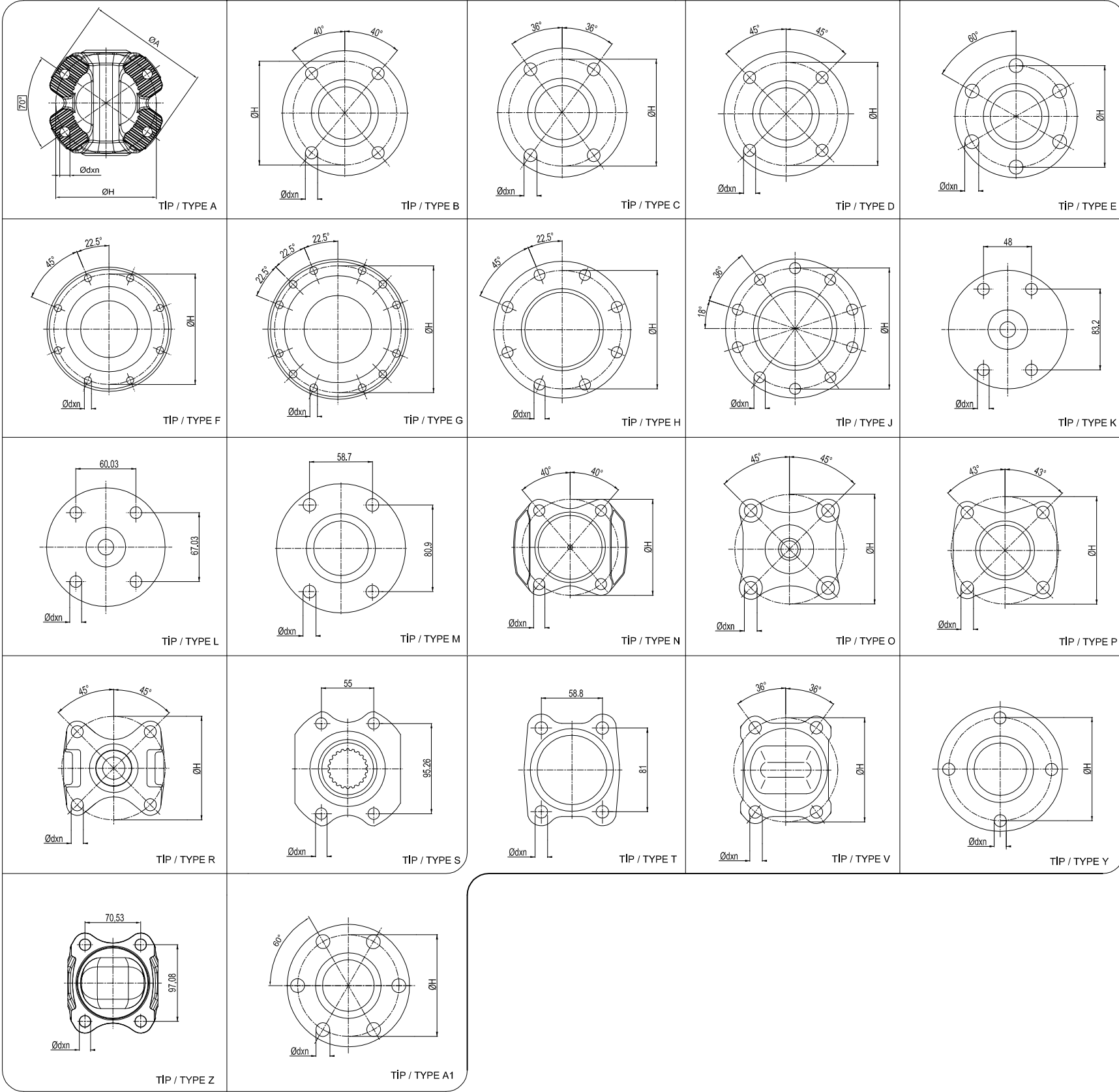
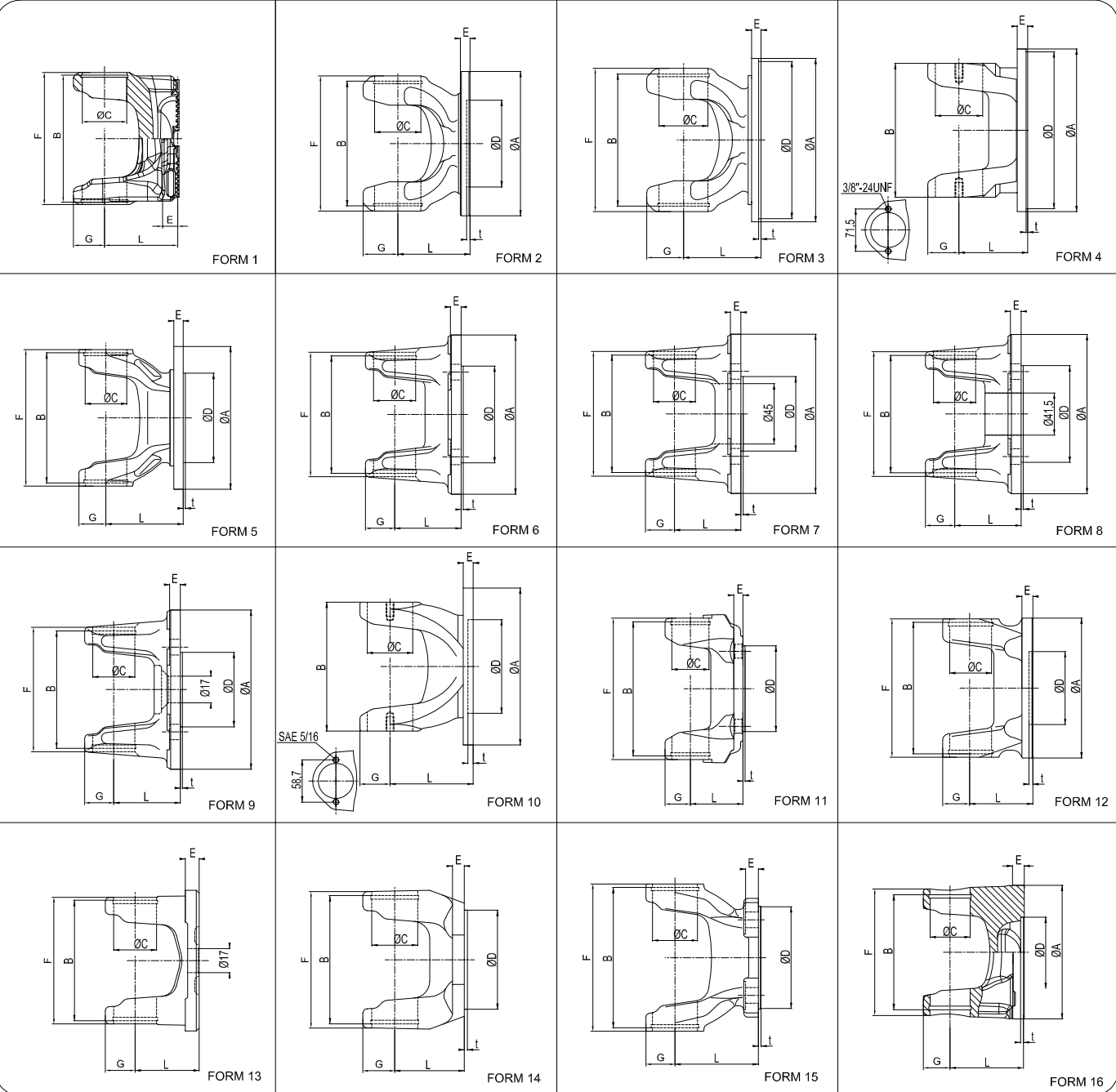


ÖLÇÜ VE RESİMLER BAĞLAYICI OLMAYIP, BİLDİRMEKSİZİN DEĞİŞTİRİLEBİLİR
DIMENSIONS AND ILLUSTRATIONS ARE SUBJECT TO CHANGE, AND WE RESERVE THE RIGHT TO INTRODUCE MODIFICATIONS WITHOUT PRIOR NOTICE



ÇATALLI FLANŞ / FLANGE YOKE

ÇATALLI FLANŞ / FLANGE YOKE



ÖLÇÜ VE RESİMLER BAĞLAYICI OLMAYIP, BİLDİRMEKSİZİN DEĞİŞTİRİLEBİLİR
 DIMENSIONS AND ILLUSTRATIONS ARE SUBJECT TO CHANGE, AND WE RESERVE THE RIGHT TO INTRODUCE MODIFICATIONS WITHOUT PRIOR NOTICE



ÇATALCI

FLANGE YOKE

SERİ/SERIE	PARÇA/PART NO	FORM/TYPE	ØA	BAĞLANTI/CONNECTION	B	EZMELİ/STAKED SEGMANLI/CIRCLIP RING KAPAKLI/OUTER CUP	F	ØC	ØD	E	G	ØH	Ødxn	t	L	MAFSAL AÇISI JOINT ANGLE	İSTAVROZ U. JOINT	DÖVME/DÖKÜM FORGING/CASTING
00385	FY.00385.01.02	1A	154	XS 154	129,476 ^{-0.06}	SEGMANLI/CIRCLIP RING	135	48 ^{+0.025}	-	16	36	130	13x4	-	75	25°	Ø48x126	DÖVME/FORGING
	FY.00385.02.02	3F	175	SAE 174,6	129,476 ^{-0.06}	SEGMANLI/CIRCLIP RING	137	48 ^{+0.025}	168,2	10,5	36	155,5	9,8x8	2,5	82,5	25°	Ø48x126	DÖKÜM/CASTING
	FY.00385.06.02	2H	150	DIN 150	129,476 ^{-0.06}	SEGMANLI/CIRCLIP RING	135	48 ^{+0.025}	90	12	36	130	12,1x8	3,5	82	25°	Ø48x126	DÖKÜM/CASTING
00389	FY.00389.01.02	1A	154	XS 154	138,9 ^{-0.06}	SEGMANLI/CIRCLIP RING	145	53 ^{-0.03}	-	16	37,5	130	13x4	-	85	25°	Ø53x135	DÖVME/FORGING
	FY.00389.05.02	2H	180	DIN 180	138,976 ^{-0.06}	SEGMANLI/CIRCLIP RING	146	53 ^{-0.03}	110	12	37-39	155,5	14,1x8	3	90	30°	Ø53x135	DÖVME/FORGING
	FY.00389.06.02	1A	180	XS 180	138,976 ^{-0.06}	SEGMANLI/CIRCLIP RING	-	53 ^{-0.03}	-	18	38	150	15x4	-	93,5	30°	Ø53x135	DÖVME/FORGING
	FY.00389.07.02	2H	165	DIN 165	138,976 ^{-0.06}	SEGMANLI/CIRCLIP RING	146	53 ^{-0.03}	95	12	37	140	16,1x8	3	90	30°	Ø53x135	DÖVME/FORGING
	FY.00389.08.02	2J	180	DIN 180	138,976 ^{-0.06}	SEGMANLI/CIRCLIP RING	146	53 ^{-0.03}	110	12	37-38	155,5	16,1x10	3	90-91	30°	Ø53x135	DÖVME/FORGING
	FY.00389.09.02	1A	165	XS 165	138,976 ^{-0.06}	SEGMANLI/CIRCLIP RING	-	53 ^{-0.03}	-	18	38	140	13x4	-	93,5	30°	Ø53x135	DÖVME/FORGING
	FY.00389.10.02	2H	165	DIN 165	138,976 ^{-0.06}	SEGMANLI/CIRCLIP RING	146	53 ^{-0.03}	95	12	37	140	14,1x8	3	90	30°	Ø53x135	DÖVME/FORGING
	FY.00389.11.02	2H	180	DIN 180	138,976 ^{-0.06}	SEGMANLI/CIRCLIP RING	146	53 ^{-0.03}	110	12	37-39	155,5	12,1x8	3	90	30°	Ø53x135	DÖVME/FORGING
	FY.00389.12.02	2H	180	DIN 180	138,976 ^{-0.06}	SEGMANLI/CIRCLIP RING	146	53 ^{-0.03}	110	12	37-39	155,5	16,1x8	3	90	30°	Ø53x135	DÖVME/FORGING
FY.00389.13.02	2H	150	DIN 150	138,976 ^{-0.06}	SEGMANLI/CIRCLIP RING	146	53 ^{-0.03}	90	10	37	130	12,1x8	3	90	30°	Ø53x135	DÖVME/FORGING	
58710	FY.58710.01.02	2E	150	DIN 150	99,69 ^{-0.05}	SEGMANLI/CIRCLIP RING	107	35 ^{+0.025}	90	10	25	130	10,2x6	3	60	25°	Ø35x97	DÖVME/FORGING
58730	FY.58730.01.02	2H	180	DIN 180	136,976 ^{-0.06}	SEGMANLI/CIRCLIP RING	144	52 ^{-0.03}	110	12	37-38	155,5	14,1x8	3	90-91	30°	Ø52x133	DÖVME/FORGING
	FY.58730.02.02	2J	180	DIN 180	136,976 ^{-0.06}	SEGMANLI/CIRCLIP RING	144	52 ^{-0.03}	110	12	37-39	155,5	16,1x10	3	90	30°	Ø52x133	DÖVME/FORGING
	FY.58730.03.02	1A	180	XS 180	136,976 ^{-0.06}	SEGMANLI/CIRCLIP RING	-	52 ^{-0.03}	-	18	37	150	15x4	-	93,5	30°	Ø52x133	DÖVME/FORGING
	FY.58730.04.02	3H	175	SAE 174,6	136,976 ^{-0.06}	SEGMANLI/CIRCLIP RING	144	52 ^{-0.03}	168,2	9,7	37	155,5	9,8x8	2,5	90	30°	Ø52x133	DÖVME/FORGING
	FY.58730.05.02	2H	150	DIN 150	136,976 ^{-0.06}	SEGMANLI/CIRCLIP RING	144	52 ^{-0.03}	90	10	37	130	12,1x8	3	90	30°	Ø52x133	DÖVME/FORGING
	FY.58730.06.02	2H	165	DIN 165	136,976 ^{-0.06}	SEGMANLI/CIRCLIP RING	144	52 ^{-0.03}	95	12	37	140	14,1x8	3	90	30°	Ø52x133	DÖVME/FORGING
	FY.58730.07.02	2H	180	DIN 180	136,976 ^{-0.06}	SEGMANLI/CIRCLIP RING	144	52 ^{-0.03}	110	12	37-38	155,5	16,1x8	3	90-91	30°	Ø52x133	DÖVME/FORGING
	FY.58730.10.02	1A	154	XS 154	136,976 ^{-0.06}	SEGMANLI/CIRCLIP RING	144	52 ^{-0.03}	-	16	37,5	130	13x4	-	90	35°	Ø52x133	DÖVME/FORGING
	FY.58730.11.02	2H	165	DIN 165	136,976 ^{-0.06}	SEGMANLI/CIRCLIP RING	144	52 ^{-0.03}	95	12	37	140	16,1x8	3	90	30°	Ø52x133	DÖVME/FORGING
FY.58730.19.02	3G	204	SAE 203,2	136,976 ^{-0.06}	SEGMANLI/CIRCLIP RING	144	52 ^{-0.03}	196,7	11	37	184,15	10,2x12	3	93	30°	Ø52x133	DÖVME/FORGING	
58735	FY.58735.02.02	1A	180	XS 180	147,976 ^{-0.06}	SEGMANLI/CIRCLIP RING	-	57 ^{+0.03}	-	18	39	150	15x4	-	100	35°	Ø57x144	DÖVME/FORGING
	FY.58735.03.02	2J	180	DIN 180	147,94 ^{-0.06}	SEGMANLI/CIRCLIP RING	156	57 ^{-0.03}	110	12	37,5	155,5	16,1x10	3	99,5	25°	Ø57x144	DÖVME/FORGING
	FY.58735.04.02	2H	180	DIN 180	147,94 ^{-0.06}	SEGMANLI/CIRCLIP RING	156	57 ^{-0.03}	110	12	37,5	155,5	16,1x8	3	99,5	25°	Ø57x144	DÖVME/FORGING
	FY.58735.05.02	2H	180	DIN 180	147,94 ^{-0.06}	SEGMANLI/CIRCLIP RING	156	57 ^{-0.03}	110	12	37,5	155,5	14,1x8	3	99,5	25°	Ø57x144	DÖVME/FORGING
385-60	FY.68095.01.02	1A	180	XS 180	---	SEGMANLI/CIRCLIP RING	158,5	68	-	20	51	150	15x4	-	100	---	Ø68x89	DÖVME/FORGING
68715	FY.68715.01.02	6B	96,85	SAE 96,8	77,57 ^{-0.05}	SEGMANLI/CIRCLIP RING	-	27 ^{-0.018}	60,32	6,7	18	79,37	10,1x4	1,6	38	25°	Ø27x74,5	DÖVME/FORGING
	FY.68715.02.02	11N	-	-	77,57 ^{-0.05}	SEGMANLI/CIRCLIP RING	82	27 ^{-0.018}	69,85	7,62	18	95,25	12,1x4	1,6	43	25°	Ø27x74,5	DÖVME/FORGING
	FY.68715.03.02	16D	90	DIN 90	77,57 ^{-0.05}	SEGMANLI/CIRCLIP RING	-	27 ^{-0.018}	47	6	18	74,5	8,1x4	2,5	50	35°	Ø27x74,5	DÖVME/FORGING
	FY.68715.04.02	2E	100	DIN 100	77,57 ^{-0.05}	SEGMANLI/CIRCLIP RING	82	27 ^{-0.018}	57	7	18	84	8,1x6	3	48	35°	Ø27x74,5	DÖKÜM/CASTING
	FY.68715.05.02	2H	120	DIN 120	77,57 ^{-0.05}	SEGMANLI/CIRCLIP RING	82	27 ^{-0.018}	75	8	18	101,5	10,1x8	2,6	43	25°	Ø27x74,5	DÖKÜM/CASTING
	FY.68715.06.02	2H	120	DIN 120	77,57 ^{-0.05}	SEGMANLI/CIRCLIP RING	82	27 ^{-0.018}	75	8	18	101,5	8,1x8	2,6	43	25°	Ø27x74,5	DÖKÜM/CASTING
68720	FY.68720.01.02	2H	120	DIN 120	84,78 ^{-0.05}	SEGMANLI/CIRCLIP RING	89	30,175 ^{-0.018}	75	8	21	101,5	10,1x8	2,6	54	25°	Ø30,175x81,8	DÖKÜM/CASTING
	FY.68720.02.02	14V	-	-	84,78 ^{-0.05}	SEGMANLI/CIRCLIP RING	89	30,175 ^{-0.018}	65	6,2	21	85	10,2x4	2	46	25°	Ø30,175x81,8	DÖVME/FORGING
	FY.68720.03.02	13O	-	-	84,78 ^{-0.05}	SEGMANLI/CIRCLIP RING	89	30,175 ^{-0.018}	-	9,7	21	107,95	12,75x4	-	44,9	17°	Ø30,175x81,8	DÖVME/FORGING
	FY.68720.06.02	6B	116	SAE 115,9	84,78 ^{-0.05}	SEGMANLI/CIRCLIP RING	89	30,175 ^{-0.018}	69,85	7,62	21	95,3	11,1x4	1,6	48	25°	Ø30,175x81,8	DÖVME/FORGING
	FY.68720.09.02	6B	116	SAE 115,9	84,78 ^{-0.05}	SEGMANLI/CIRCLIP RING	89	30,175 ^{-0.018}	69,85	7,62	21	95,3	12,1x4	1,6	48	25°	Ø30,175x81,8	DÖVME/FORGING
	FY.68720.11.02	2H	120	DIN 120	84,78 ^{-0.05}	SEGMANLI/CIRCLIP RING	89	30,175 ^{-0.018}	75	8	21	101,5	8,1x8	2,6	54	25°	Ø30,175x81,8	DÖKÜM/CASTING
	FY.68720.16.02	2E	100	DIN 100	84,78 ^{-0.05}	SEGMANLI/CIRCLIP RING	89	30,175 ^{-0.018}	57	7	22	84	8,1x6	3	54	25°	Ø30,175x81,8	DÖKÜM/CASTING
	FY.68720.17.02	1A	120	XS 120	84,78 ^{-0.05}	SEGMANLI/CIRCLIP RING	89	30,175 ^{-0.018}	-	14	21	100	11x4	-	54	25°	Ø30,175x81,8	DÖVME/FORGING
	FY.68720.18.02	6B	115	115	84,78 ^{-0.05}	SEGMANLI/CIRCLIP RING	89	30,175 ^{-0.018}	59,99	8	21	90	10,2x4	1,6	48	25°	Ø30,175x81,8	DÖVME/FORGING
	FY.68720.20.02	2Y	120	DIN 120	84,78 ^{-0.05}	SEGMANLI/CIRCLIP RING	89	30,175 ^{-0.018}	57	7	21	102	10,1x4	3	55	25°	Ø30,175x81,8	DÖKÜM/CASTING
	FY.68720.21.02	6B	96,85	SAE 96,8	84,78 ^{-0.05}	SEGMANLI/CIRCLIP RING	88,7	30,175 ^{-0.018}	60,32	6,7	21	79,37	10,1x4	1,6	52	25°	Ø30,175x81,8	DÖVME/FORGING
	FY.68720.24.02	2A1	100	DIN 100	84 ^{-0.1}	SEGMANLI/CIRCLIP RING	89	30 ^{+0.025}	57	6,8	21,5	84	8,2x6	3	60	35°	Ø30x81,8	DÖKÜM/CASTING
	FY.68720.25.02	2A1	100	DIN 100	84,78 ^{-0.05}	SEGMANLI/CIRCLIP RING	89	30,175 ^{-0.018}	57	6,8	21,5	84	8,2x6	3	60	35°	Ø30,2x81,8	DÖKÜM/CASTING
	FY.68720.26.02	2A1	100	DIN 100	84,98 ^{-0.05}	SEGMANLI/CIRCLIP RING	89	30 ^{-0.018}	57	6,8	21,5	84	8,2x6	3	60	35°	Ø30x82	DÖKÜM/CASTING
FY.68720.99.02	2B	134	-	84,60 ^{+0.06}	SEGMANLI/CIRCLIP RING	89,5	30,175 ^{-0.018}	67	8,6	22	112,2	10,2x4	3,5	55,3	25°	Ø30,175x81,8	DÖKÜM/CASTING	

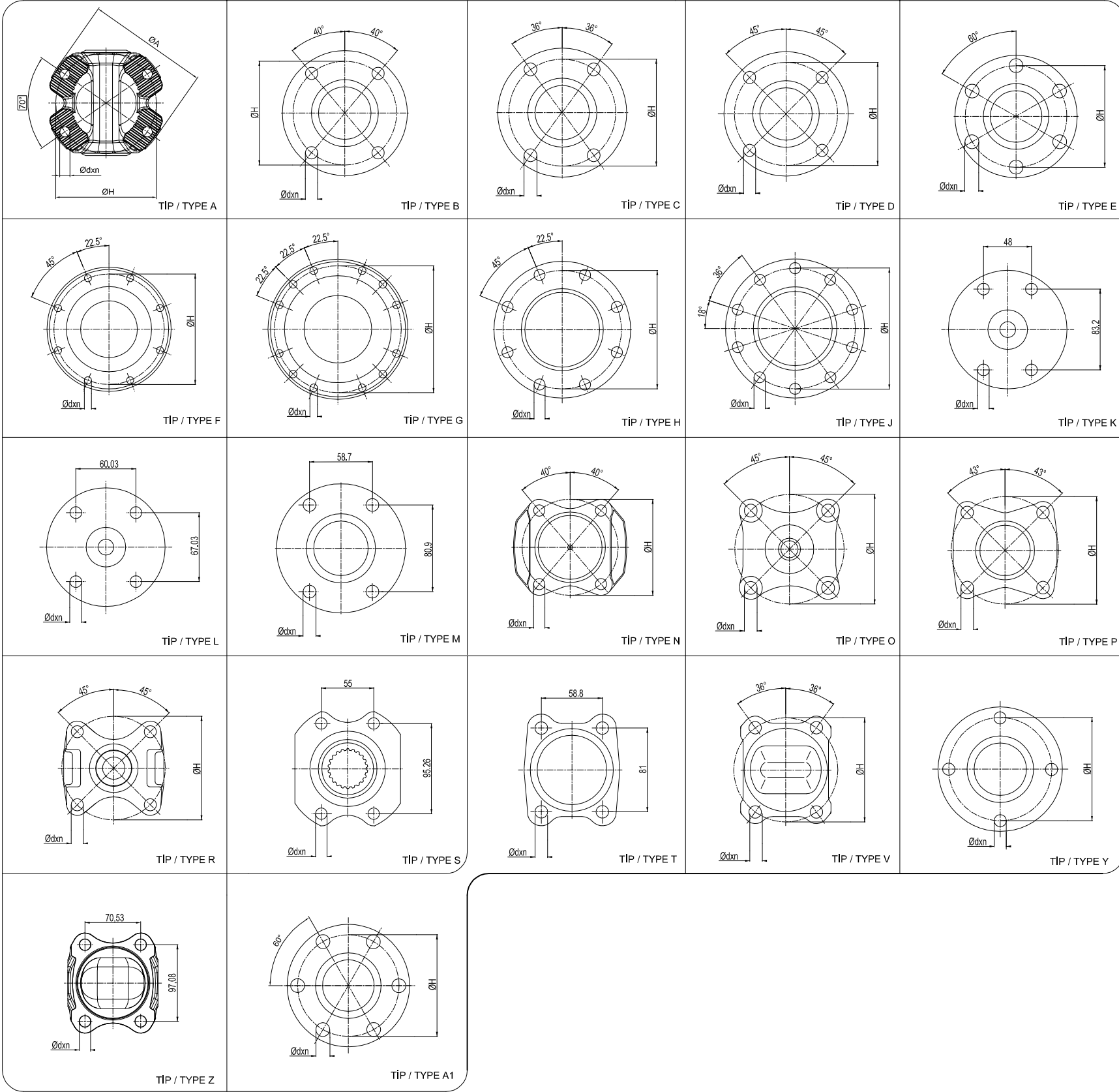
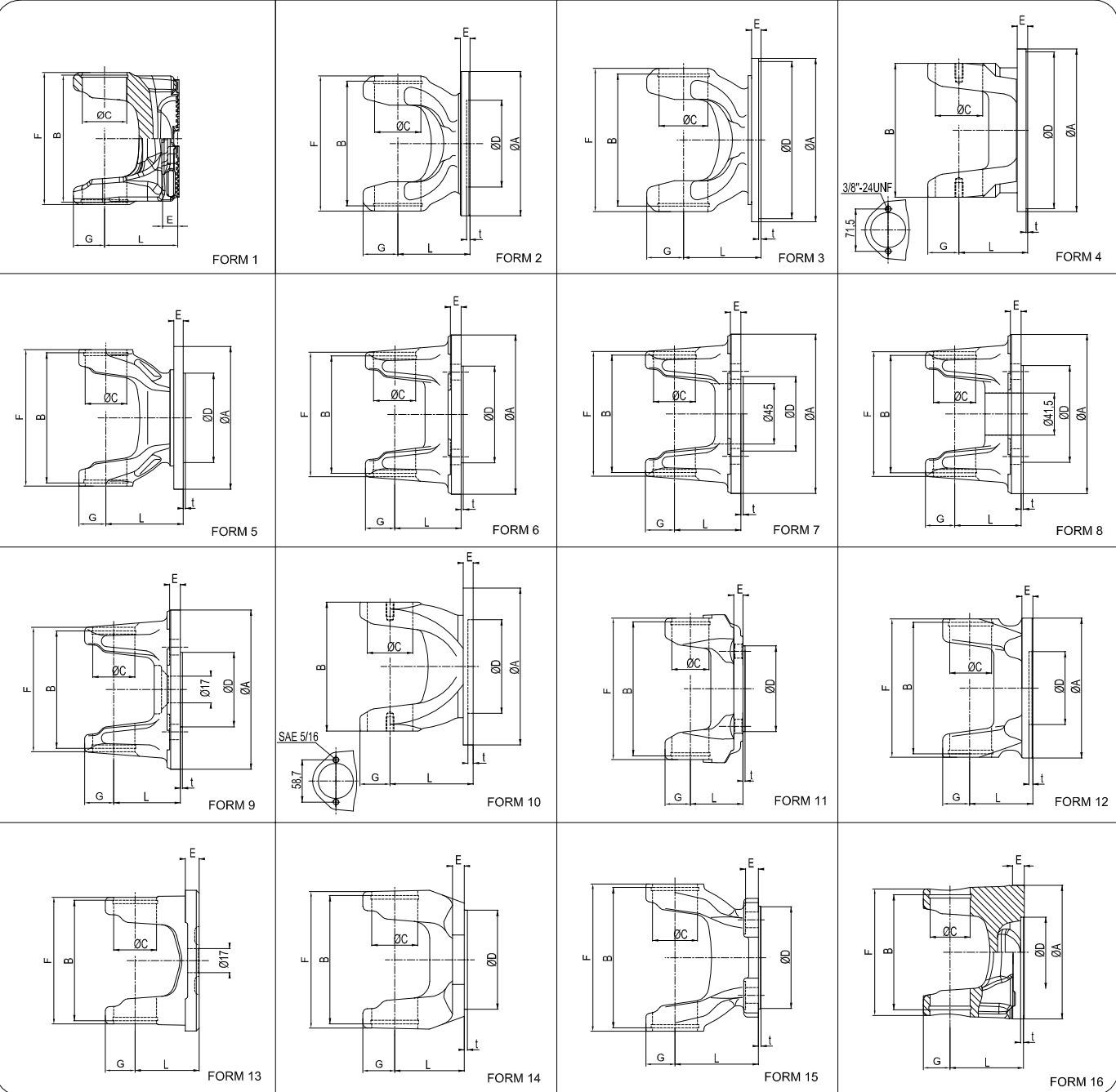


ÖLÇÜ VE RESİMLER BAĞLAYICI OLMAYIP, BİLDİRMEKSİZİN DEĞİŞTİRİLEBİLİR
DIMENSIONS AND ILLUSTRATIONS ARE SUBJECT TO CHANGE, AND WE RESERVE THE RIGHT TO INTRODUCE MODIFICATIONS WITHOUT PRIOR NOTICE



ÇATALLI FLANŞ / FLANGE YOKE

ÇATALLI FLANŞ / FLANGE YOKE



ÖLÇÜ VE RESİMLER BAĞLAYICI OLMAYIP, BİLDİRMEKSİZİN DEĞİŞTİRİLEBİLİR
 DIMENSIONS AND ILLUSTRATIONS ARE SUBJECT TO CHANGE, AND WE RESERVE THE RIGHT TO INTRODUCE MODIFICATIONS WITHOUT PRIOR NOTICE



ÇATALLI EKLER

FLANGE YOKE

SERİ/SERIE	PARÇA/PART NO	FORM/TYPE	ØA	BAĞLANTI/CONNECTION	B	EZMELİ/STAKED SEGMANLI/CIRCLIP RING KAPAKLI/OUTER CUP	F	ØC	ØD	E	G	ØH	Ødxn	t	L	MAFSAL AÇISI JOINT ANGLE	İSTAVROZ U.JOINT	DÖVME/DÖKÜM FORGING/CASTING
68730	FY.68730.03.02	1A	120	XS 120	109,296±0.05	SEGMANLI/CIRCLIP RING	114,3	34,925±0.018	-	14	22,7	100	11x4	-	63,5	20°	Ø34,9x106,4	DÖVME/FORGING
	FY.68730.24.02	1A	154	XS 154	109,296±0.05	SEGMANLI/CIRCLIP RING	114,7	34,925±0.018	-	16	22,7	130	13x4	-	63,5	25°	Ø34,9x106,4	DÖVME/FORGING
	FY.68730.25.02	5B	146	SAE 146	109,296±0.05	SEGMANLI/CIRCLIP RING	114,7	34,925±0.018	95,2	9,1	22,7	120,67	12,8x4	2	74	35°	Ø34,9x106,4	DÖKÜM/CASTING
	FY.68730.26.02	5	146	DIN 150	109,296±0.05	SEGMANLI/CIRCLIP RING	114,7	34,925±0.018	95,2	9,1	22,7	120,67	-	2	76	35°	Ø34,9x106,4	DÖKÜM/CASTING
FY.68730.27.02	5H	146	DIN 150	109,296±0.05	SEGMANLI/CIRCLIP RING	114,7	34,925±0.018	95,2	9,1	22,7	120,67	12,25x8	2	76	35°	Ø34,9x106,4	DÖKÜM/CASTING	
68730	FY.68730.02.02	5M	120	DIN 120	109,296±0.05	SEGMANLI/CIRCLIP RING	114,7	35±0.025	80	8	22,7	-	12,2x4	2	65	20°	Ø35x106,4	DÖKÜM/CASTING
	FY.68730.04.02	15T	-	-	109,296±0.05	SEGMANLI/CIRCLIP RING	114,7	35±0.025	80	10	22,7	-	12,2x4	2	65	20°	Ø35x106,4	DÖKÜM/CASTING
	FY.68730.07.02	1A	120	XS 120	109,296±0.05	SEGMANLI/CIRCLIP RING	114,3	35±0.025	-	14	22,7	100	11x4	-	63,5	20°	Ø35x106,4	DÖVME/FORGING
	FY.68730.09.02	14S	-	-	109,296±0.05	SEGMANLI/CIRCLIP RING	114,3	35±0.025	80	8	24,5	-	12,2x4	2,5	62	22°	Ø35x106,4	DÖVME/FORGING
	FY.68730.12.02	2H	120	DIN 120	109,296±0.05	SEGMANLI/CIRCLIP RING	114,7	35±0.025	75	8	22,7	101,5	10,1x8	2,5	65	30°	Ø35x106,4	DÖKÜM/CASTING
	FY.68730.14.02	2H	120	DIN 120	109,296±0.05	SEGMANLI/CIRCLIP RING	114,7	35±0.025	75	8	22,7	101,5	8,1x8	2,5	65	30°	Ø35x106,4	DÖKÜM/CASTING
	FY.68730.15.02	14Z	-	-	109,296±0.05	SEGMANLI/CIRCLIP RING	114,3	35±0.025	90	9	24	-	14,2x4	2,5	62	27°	Ø35x106,4	DÖVME/FORGING
	FY.68730.17.02	1A	154	XS 154	109,296±0.05	SEGMANLI/CIRCLIP RING	114,7	35±0.025	-	16	22,7	130	13x4	-	63,5	25°	Ø35x106,4	DÖVME/FORGING
	FY.68730.20.02	14S	-	-	106,845±0.05	SEGMANLI/CIRCLIP RING	113	35±0.025	80	8	24	-	12,2x4	2,5	62	22°	Ø35x104	DÖVME/FORGING
	FY.68730.21.02	2F	150	DIN 150	109,296±0.05	SEGMANLI/CIRCLIP RING	114,7	35±0.025	90	10	22,7	130	12,1x8	3,2	78	27°	Ø35x106,4	DÖKÜM/CASTING
	FY.68730.22.02	15T	-	-	106,845±0.05	SEGMANLI/CIRCLIP RING	113	35±0.025	80	10	22,7	-	12,2x4	2	65	27°	Ø35x104	DÖKÜM/CASTING
	FY.68730.51.02	2H	120	DIN 120	109,296±0.05	SEGMANLI/CIRCLIP RING	114,7	35±0.025	75	8	22,7	101,5	11,1x8	2,5	65	30°	Ø35x106,4	DÖKÜM/CASTING
FY.01480.09.02	14N	-	-	109,296±0.05	SEGMANLI/CIRCLIP RING	114,7	35±0.025	95,2	9,14	23,5	120,65	14,2x4	2	50,8	20°	Ø35x106,4	DÖVME/FORGING	
FY.01480.10.02	14N	-	-	109,296±0.05	SEGMANLI/CIRCLIP RING	114,7	35±0.025	95,2	9,14	23,5	120,65	12,8x4	2	50,8	20°	Ø35x106,4	DÖVME/FORGING	
68735	FY.68735.02.02	1A	154	XS 154	123±0,1	SEGMANLI/CIRCLIP RING	-	42±0,025	-	16	28	130	13x4	-	75	30°	Ø42x119,4	DÖVME/FORGING
	FY.68735.03.02	1A	120	XS 120	123±0,1	SEGMANLI/CIRCLIP RING	-	42±0,025	-	16	28	100	11x4	-	75	30°	Ø42x119,4	DÖVME/FORGING
68740	FY.68740.02.02	1A	154	XS 154	138,676±0.06	SEGMANLI/CIRCLIP RING	144	47,64±0.025	-	16	32	130	13x4	-	82	25°	Ø47,64x135,2	DÖVME/FORGING
	FY.68740.06.02	1A	154	XS 154	138,676±0.06	SEGMANLI/CIRCLIP RING	144	47,64±0.025	-	16	32	130	13x4	-	102	44°	Ø47,64x135,2	DÖVME/FORGING
	FY.68740.14.02	1A	180	XS 180	138,676±0.06	SEGMANLI/CIRCLIP RING	144	47,64±0.025	-	18	32	150	15x4	-	97	44°	Ø47,64x135,2	DÖVME/FORGING
	FY.68740.17.02	1A	180	XS 180	138,676±0.06	SEGMANLI/CIRCLIP RING	144	47,64±0.025	-	18	32	150	15x4	-	82	25°	Ø47,64x135,2	DÖVME/FORGING
	FY.68740.20.02	2H	180	DIN 180	138,676±0.06	SEGMANLI/CIRCLIP RING	144	47,64±0.025	110	12	37	155,5	14,1x8	3	92	30°	Ø47,64x135,2	DÖVME/FORGING
FY.68740.23.02	2H	180	DIN 180	138,676±0.06	SEGMANLI/CIRCLIP RING	144	47,64±0.025	110	12	37	155,5	16,2x10	3	92	30°	Ø47,64x135,2	DÖVME/FORGING	
68741	FY.68740.01.02	1A	154	XS 154	138,676±0.06	SEGMANLI/CIRCLIP RING	144	48±0.025	-	16	32	130	13x4	-	82	25°	Ø48x135,2	DÖVME/FORGING
	FY.68740.05.02	1A	154	XS 154	138,676±0.06	SEGMANLI/CIRCLIP RING	144	48±0.025	-	16	32	130	13x4	-	102	44°	Ø48x135,2	DÖVME/FORGING
	FY.68740.08.02	2H	150	DIN 150	138,676±0.06	SEGMANLI/CIRCLIP RING	144	48±0.025	90	10	34,5	130	12,1x8	3	92	25°	Ø48x135,2	DÖKÜM/CASTING
	FY.68740.15.02	1A	180	XS 180	138,676±0.06	SEGMANLI/CIRCLIP RING	144	48±0.025	-	18	32	150	15x4	-	97	44°	Ø48x135,2	DÖVME/FORGING
	FY.68740.16.02	1A	180	XS 180	138,676±0.06	SEGMANLI/CIRCLIP RING	144	48±0.025	-	18	32	150	15x4	-	82	25°	Ø48x135,2	DÖVME/FORGING
	FY.68740.21.02	2H	180	DIN 180	138,676±0.06	SEGMANLI/CIRCLIP RING	144	48±0.025	110	12	37	155,5	16,2x10	3	92	30°	Ø48x135,2	DÖVME/FORGING
FY.68740.22.02	2H	180	DIN 180	138,676±0.06	SEGMANLI/CIRCLIP RING	144	48±0.025	110	12	37	155,5	14,1x8	3	92	30°	Ø48x135,2	DÖVME/FORGING	
68745	FY.68745.01.02	1A	180	XS 180	151,176±0.06	SEGMANLI/CIRCLIP RING	157	52±0.03	-	18	37	150	15x4	-	87	27°	Ø52x147,2	DÖVME/FORGING
	FY.68745.03.02	1A	154	XS 154	151,176±0.06	SEGMANLI/CIRCLIP RING	157	52±0.03	-	16	37	130	13x4	-	100	35°	Ø52x147,2	DÖVME/FORGING
	FY.68745.05.02	1A	154	XS 154	151,176±0.06	SEGMANLI/CIRCLIP RING	157	53±0.03	-	16	37	130	13x4	-	100	35°	Ø53x147,2	DÖVME/FORGING
	FY.68745.06.02	1A	180	XS 180	151,176±0.06	SEGMANLI/CIRCLIP RING	157	53±0.03	-	18	37	150	15x4	-	87	25°	Ø53x147,2	DÖVME/FORGING
	FY.68745.08.02	1A	180	XS 180	151,176±0.06	SEGMANLI/CIRCLIP RING	157	52±0.03	-	18	37	150	15x4	-	87	25°	Ø52x147,2	DÖVME/FORGING
	FY.68745.09.02	2J	180	DIN 180	151,176±0.06	SEGMANLI/CIRCLIP RING	157	52±0.03	110	12	37	155,5	16,1x10	3	100	30°	Ø52x147,2	DÖVME/FORGING
	FY.68745.10.02	1A	180	XS 180	151,176±0.06	SEGMANLI/CIRCLIP RING	157	52±0.03	-	18	37	150	15x4	-	108	44°	Ø52x147,2	DÖVME/FORGING
	FY.68745.12.01	2H	180	DIN 180	151,176±0.06	SEGMANLI/CIRCLIP RING	157	52±0.03	110	12	37	155,5	-	3	100	-	Ø52x147,2	DÖVME/FORGING
	FY.68745.12.02	2H	180	DIN 180	151,176±0.06	SEGMANLI/CIRCLIP RING	157	52±0.03	110	12	37	155,5	14,1x8	3	100	-	Ø52x147,2	DÖVME/FORGING
	FY.68745.13.02	1A	180	XS 180	151,176±0.06	SEGMANLI/CIRCLIP RING	157	52±0.03	-	18	37	150	15x4	-	87	25°	Ø52x147,2	DÖVME/FORGING
FY.68745.14.02	1A	180	XS 180	151,176±0.06	SEGMANLI/CIRCLIP RING	157	53±0.03	-	18	37	150	15x4	-	87	25°	Ø53x147,2	DÖVME/FORGING	
68755	FY.68755.02.02	2J	180	DIN 180	156,176±0.06	SEGMANLI/CIRCLIP RING	162,5	57±0.03	110	12	38,5	155,5	16,1x10	3	95	25°	Ø57x152	DÖVME/FORGING
	FY.68755.03.02	1A	180	XS 180	156,176±0.06	SEGMANLI/CIRCLIP RING	162,5	57±0.03	-	18	37	150	15x4	-	72	12°	Ø57x152	DÖVME/FORGING
	FY.68755.04.02	3G	203,2	SAE 203,2	156,176±0.06	SEGMANLI/CIRCLIP RING	162,5	57±0.03	196,8	11,2	39,5	184,15	11,1x12	3	95	25°	Ø57x152	DÖVME/FORGING
	FY.68755.05.02	3F	203,2	SAE 203,2	156,176±0.06	SEGMANLI/CIRCLIP RING	162,5	57±0.03	196,8	9,6	39,5	184,15	9,7x8	3	93,5	25°	Ø57x152	DÖVME/FORGING
	FY.68755.06.02	1A	180	XS 180	156,176±0.06	SEGMANLI/CIRCLIP RING	162,5	57±0.03	-	18	39	150	15x4	-	92	25°	Ø57x152	DÖVME/FORGING
	FY.68755.08.02	3G	203,2	SAE 203,2	156,176±0.06	SEGMANLI/CIRCLIP RING	162,5	57±0.03	196,8	11,2	39,5	184,15	10,1x12	3	95	25°	Ø57x152	DÖVME/FORGING
	FY.68755.09.02	3F	203,2	SAE 203,2	156,176±0.06	SEGMANLI/CIRCLIP RING	162,5	57±0.03	196,8	9,6	39,5	184,15	10,1x8	3	93,5	25°	Ø57x152	DÖVME/FORGING
	FY.68755.11.02	2H	180	DIN 180	156,176±0.06	SEGMANLI/CIRCLIP RING	162,5	57±0.03	110	12	38,5	155,5	14,1x8	3	95	25°	Ø57x152	DÖVME/FORGING
	FY.68755.18.02	1A	154	XS 154	156,176±0.06	SEGMANLI/CIRCLIP RING	162,5	57±0.03	-	16	37	130	13x4	-	68	10°	Ø57x152	DÖVME/FORGING
	FY.68755.19.02	1A	180	XS 180	156,176±0.06	SEGMANLI/CIRCLIP RING	162,5	57±0.03	-	18	39	150	15x4	-	105	44°	Ø57x152	DÖVME/FORGING

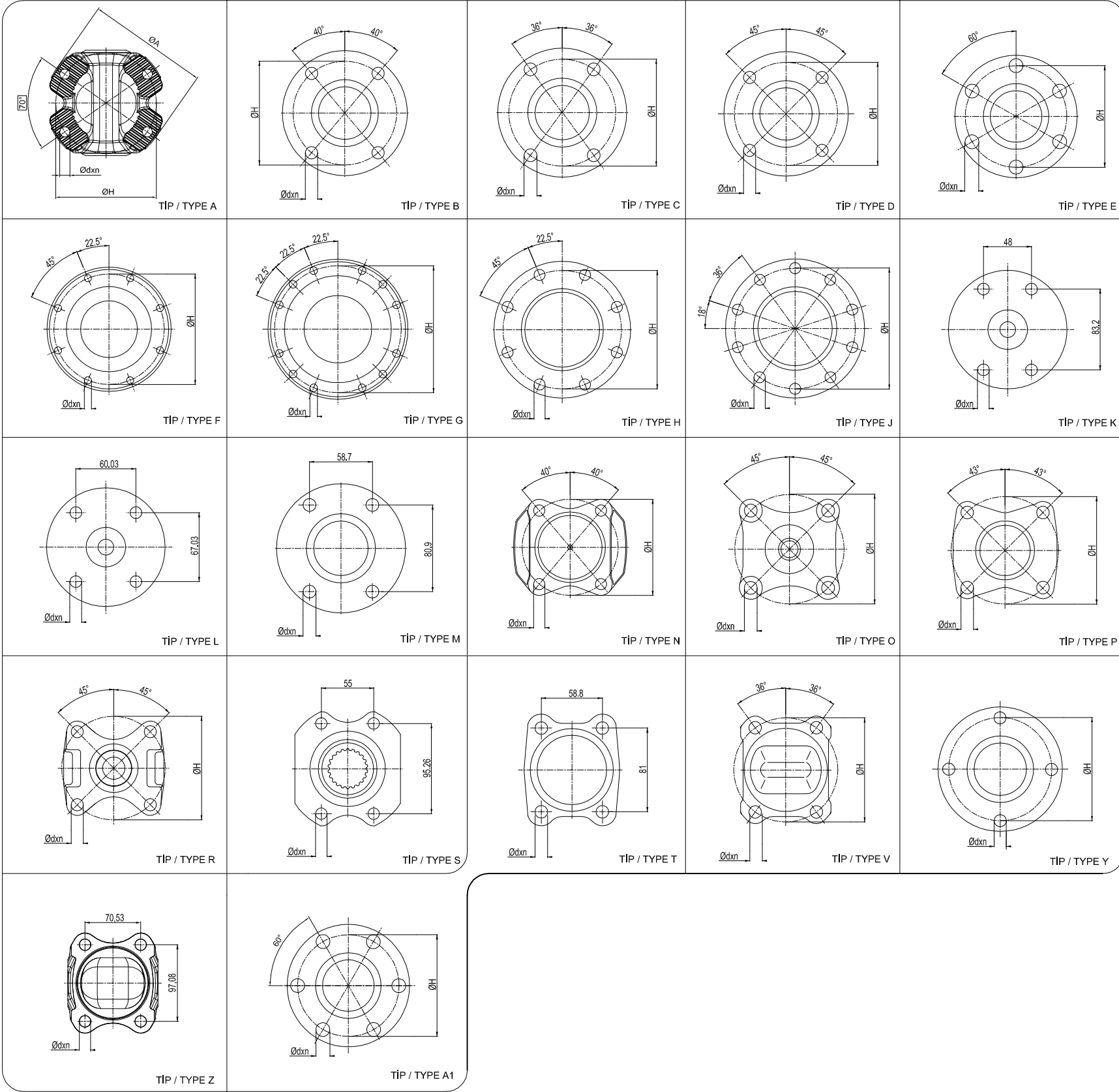
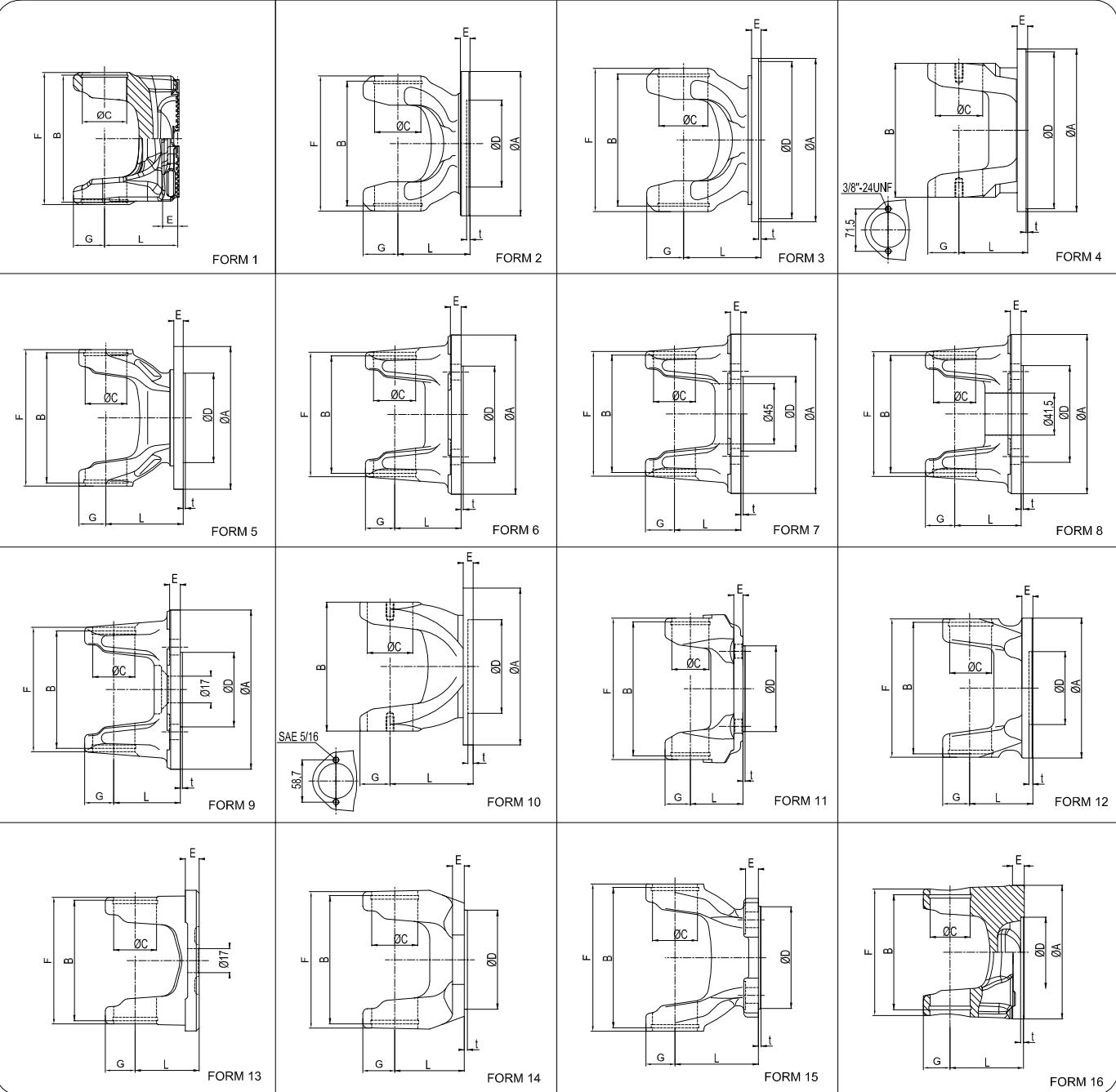


ÖLÇÜ VE RESİMLER BAĞLAYICI OLMAYIP, BİLDİRMEKSİZİN DEĞİŞTİRİLEBİLİR
DIMENSIONS AND ILLUSTRATIONS ARE SUBJECT TO CHANGE, AND WE RESERVE THE RIGHT TO INTRODUCE MODIFICATIONS WITHOUT PRIOR NOTICE



ÇATALLI FLANŞ / FLANGE YOKE

ÇATALLI FLANŞ / FLANGE YOKE



ÖLÇÜ VE RESİMLER BAĞLAYICI OLMAYIP, BİLDİRMEKSİZİN DEĞİŞTİRİLEBİLİR
 DIMENSIONS AND ILLUSTRATIONS ARE SUBJECT TO CHANGE, AND WE RESERVE THE RIGHT TO INTRODUCE MODIFICATIONS WITHOUT PRIOR NOTICE



ÇATALLI FLANS
FLANGE YOKE

SERİ/SERIE	PARÇA/PART NO	FORM TYPE	ØA	BAĞLANTI/CONNECTION	B	EZMELİ/STAKED SEGMANLI/CIRCLIP RING KAPAKLI/OUTER CUP	F	ØC	ØD	E	G	ØH	Ødxn	t	L	MAFSAL AÇISI JOINT ANGLE	İSTAVROZ/U.JOINT	DÖVME/DÖKÜM FORGING/CASTING
68760	FY.68760.02.02	1A	180	XS 180	171,576 ^{-0.06}	SEGMANLI/CIRCLIP RING	178	59 ^{-0.03}	-	18	39,5	150	15x4	-	100	30°	Ø59x167,7	DÖVME/FORGING
68765	FY.68765.01.02	1A	180	XS 180	177,176 ^{-0.06}	SEGMANLI/CIRCLIP RING	184,5	65 ^{-0.03}	-	18	45,5	150	15x4	-	100,5	25°	Ø65x172	DÖVME/FORGING
00400	FY.00400.01.02	2D	65	DIN 65	50 ^{-0.05}	SEGMANLI/CIRCLIP RING	54	19,015 ^{-0.02}	35	4,5	-	52	8,1x4	2,5	32	-	Ø19x48	DÖKÜM/CASTING
	FY.00400.02.02	2D	58	DIN 58	50 ^{-0.05}	SEGMANLI/CIRCLIP RING	54	19,015 ^{-0.02}	30	3,5	-	47	5x4	1,5	29	-	Ø19x48	DÖKÜM/CASTING
	FY.00400.03.02	2D	65	DIN 65	50 ^{-0.05}	SEGMANLI/CIRCLIP RING	54	19,015 ^{-0.02}	35	4,5	-	52	8,5x4	2,5	32	-	Ø19x48	DÖKÜM/CASTING
	FY.00400.05.02	2D	66	-	50 ^{-0.05}	SEGMANLI/CIRCLIP RING	54	19,015 ^{-0.02}	-	5	-	52	9,1x4	-	32	-	Ø19x48	DÖKÜM/CASTING
	FY.00400.06.02	2D	65	DIN 65	50 ^{-0.05}	SEGMANLI/CIRCLIP RING	54	19,015 ^{-0.02}	35	4,5	-	52	6,1x4	2,5	32	-	Ø19x48	DÖKÜM/CASTING
01140	FY.01140.03.02	6B	87,3	SAE 87,3	64,26 ^{-0.05}	SEGMANLI/CIRCLIP RING	72	23,825 ^{-0.018}	57,15	9,3	17	69,85	8,1x4	2,4	36	25°	Ø23,825x61,2	DÖVME/FORGING
	FY.01140.04.02	6B	92,1	Ø92,1	64,26 ^{-0.05}	SEGMANLI/CIRCLIP RING	-	23,825 ^{-0.018}	57,15	5,2	15,3	76,2	9,8x4	1,6	30,2	17°	Ø23,825x61,2	DÖVME/FORGING
	FY.01140.05.02	6B	87,3	SAE 87,3	64,26 ^{-0.05}	SEGMANLI/CIRCLIP RING	-	23,825 ^{-0.018}	57,15	5,2	15,3	69,85	8,1x4	1,6	30,2	17°	Ø23,825x61,2	DÖVME/FORGING
	FY.01140.73.02	2B	75	DIN 75	64,26 ^{-0.05}	SEGMANLI/CIRCLIP RING	-	23,825 ^{-0.018}	42	5,7	-	62	8,5x4	2	42	-	Ø23,825x61,2	DÖKÜM/CASTING
	FY.01140.74.02	2D	75	DIN 75	64,26 ^{-0.05}	SEGMANLI/CIRCLIP RING	-	23,825 ^{-0.018}	42	5,7	-	62	8,2x4	2	42	-	Ø23,825x61,2	DÖKÜM/CASTING
	FY.01140.75.02	2E	75	DIN 75	64,26 ^{-0.05}	SEGMANLI/CIRCLIP RING	-	23,825 ^{-0.018}	42	5,7	-	62	6,1x6	2	42	-	Ø23,825x61,2	DÖKÜM/CASTING
FY.01140.76.02	2D	90	DIN 90	64,26 ^{-0.05}	SEGMANLI/CIRCLIP RING	-	23,825 ^{-0.018}	47	5,7	-	74,5	8,1x4	2,5	42	-	Ø23,825x61,2	DÖKÜM/CASTING	
01300	FY.01300.01.02	6B	96,85	SAE 96,8	77,57 ^{-0.05}	SEGMANLI/CIRCLIP RING	-	27 ^{-0.018}	60,3	6,7	17,5	79,375	9,8x4	1,5	35,05	20°	Ø27x74,6	DÖVME/FORGING
	FY.01300.02.02	7L	109	Ø109	77,57 ^{-0.05}	SEGMANLI/CIRCLIP RING	82	27 ^{-0.018}	56	8	17,7	-	10,2x4	2,3	42,9	20°	Ø27x74,6	DÖVME/FORGING
	FY.01300.03.02	6B	96,85	SAE 96,8	77,45 ^{-0.05}	SEGMANLI/CIRCLIP RING	-	27 ^{-0.018}	60,3	6,7	17,5	79,375	10,1x4	1,5	35	20°	Ø27x74,6	DÖVME/FORGING
	FY.01300.04.02	8K	120	DIN 120	77,57 ^{-0.05}	SEGMANLI/CIRCLIP RING	82	27 ^{-0.018}	56	8	17,7	-	12,2x4	3	42,9	20°	Ø27x74,6	DÖVME/FORGING
	FY.01300.06.02	6B	96,85	SAE 96,8	77,57 ^{-0.05}	SEGMANLI/CIRCLIP RING	-	27 ^{-0.018}	60,3	6,7	17,5	79,375	10,1x4	1,5	35,05	20°	Ø27x74,6	DÖVME/FORGING
	FY.01300.07.02	9K	120	DIN 120	77,57 ^{-0.05}	SEGMANLI/CIRCLIP RING	82	27 ^{-0.018}	40	8	17,7	-	12,2x4	3	42,9	20°	Ø27x74,6	DÖVME/FORGING
01310	FY.01310.01.02	6B	96,85	SAE 96,8	84,78 ^{-0.05}	SEGMANLI/CIRCLIP RING	89	27 ^{-0.018}	60,3	6,7	17,7	79,375	9,8x4	1,5	35,05	25°	Ø27x81,8	DÖVME/FORGING
	FY.01310.04.02	2E	100	DIN 100	84,78 ^{-0.05}	SEGMANLI/CIRCLIP RING	89,6	27 ^{-0.018}	57	7	-	84	8,1x6	2,65	51	-	Ø27x81,8	DÖKÜM/CASTING
	FY.01310.05.02	12D	90	DIN 90	84,78 ^{-0.05}	SEGMANLI/CIRCLIP RING	89	27 ^{-0.018}	47	6	18	74,5	8,1x4	2,5	40	20°	Ø27x81,8	DÖKÜM/CASTING
	FY.01310.07.02	9K	120	DIN 120	84,78 ^{-0.05}	SEGMANLI/CIRCLIP RING	90	27 ^{-0.018}	40	8	17,7	-	12,2x4	3	42,9	20°	Ø27x81,8	DÖVME/FORGING
	FY.01310.08.02	8K	120	DIN 120	84,78 ^{-0.05}	SEGMANLI/CIRCLIP RING	90	27 ^{-0.018}	56	8,9	17,7	-	12,2x4	3	42,9	20°	Ø27x81,8	DÖVME/FORGING
	FY.01310.10.02	7L	109	Ø109	84,78 ^{-0.05}	SEGMANLI/CIRCLIP RING	90	27 ^{-0.018}	56	8	17,7	-	10,2	2,3	42,9	20°	Ø27x81,8	DÖVME/FORGING
	FY.01310.14.02	6B	115	Ø115	84,78 ^{-0.05}	SEGMANLI/CIRCLIP RING	90	27 ^{-0.018}	69,85	7,62	17,5	95,3	11,3x4	1,6	42	20°	Ø27x81,8	DÖVME/FORGING
	FY.01310.19.02	14V	-	-	84,78 ^{-0.05}	SEGMANLI/CIRCLIP RING	89	27 ^{-0.018}	65	6,2	21	85	8,1x4	2	46	25°	Ø27x81,8	DÖVME/FORGING
	FY.01310.20.02	6D	119	Ø119	84,78 ^{-0.05}	SEGMANLI/CIRCLIP RING	90	27 ^{-0.018}	65	7,5	17,7	95	12,1x4	3,3	41,5	25°	Ø27x81,8	DÖVME/FORGING
	FY.01310.21.02	6B	96,85	SAE 96,8	84,78 ^{-0.05}	SEGMANLI/CIRCLIP RING	89	27 ^{-0.018}	60,27	6,7	17,7	79,375	10,1x4	1,6	35,05	25°	Ø27x81,8	DÖVME/FORGING
	FY.01310.22.02	6B	115	Ø115	84,78 ^{-0.05}	SEGMANLI/CIRCLIP RING	90	27 ^{-0.018}	69,85	7,62	17,7	95,3	12,1x4	1,6	42	20°	Ø27x81,8	DÖVME/FORGING
	FY.01310.24.02	14R	-	-	84,78 ^{-0.05}	SEGMANLI/CIRCLIP RING	89	27 ^{-0.018}	45	8	18	90	10,2x4	3	50	20°	Ø27x81,8	DÖVME/FORGING
	FY.01310.25.02	11C	-	-	84,78 ^{-0.05}	SEGMANLI/CIRCLIP RING	89	27 ^{-0.018}	65	6	17,7	85	8,5x4	2	47,5	25°	Ø27x81,8	DÖVME/FORGING
	FY.01310.28.02	6B	87,3	SAE 87,3	84,78 ^{-0.05}	SEGMANLI/CIRCLIP RING	89	27 ^{-0.018}	57,15	5,2	18	69,85	8,1x4	1,6	39,5	20°	Ø27x81,8	DÖKÜM/CASTING
	FY.01310.33.02	11R	-	-	-	EZMELİ/STAKED	-	27	65,31	7,9	19	98	10,3x4	5	38	15°	Ø27x81,8	DÖVME/FORGING
	FY.01310.34.02	11N	-	-	-	EZMELİ/STAKED	-	27	69,85	8	19	95,25	12,1x4	1,4	41,5	-	Ø27x81,8	DÖVME/FORGING
	FY.01310.36.02	11R	-	-	-	EZMELİ/STAKED	-	27	23,5	6	19	74,5	8,1x4	2,5	40	-	Ø27x81,8	DÖVME/FORGING
	FY.01310.37.02	11R	-	-	-	EZMELİ/STAKED	-	27	28	6	19	81	8,1x4	5,7	40	-	Ø27x81,8	DÖVME/FORGING
FY.01310.39.02	2H	120	DIN 120	84,78 ^{-0.05}	SEGMANLI/CIRCLIP RING	89	27 ^{-0.018}	75	8	17,5	101,5	10,1x8	2,4	52	-	Ø27x81,8	DÖKÜM/CASTING	
FY.01310.40.02	2H	120	DIN 120	84,78 ^{-0.05}	SEGMANLI/CIRCLIP RING	89	27 ^{-0.018}	75	8	17,5	101,5	8,08x8	2,4	52	-	Ø27x81,8	DÖKÜM/CASTING	
FY.01310.42.02	11N	-	-	84,78 ^{-0.05}	SEGMANLI/CIRCLIP RING	89	27 ^{-0.018}	60,27	7	17,7	79,375	9,8x4	1,6	41,5	30°	Ø27x81,8	DÖVME/FORGING	
01350	FY.01350.01.02	12R	-	-	94,896 ^{-0.05}	SEGMANLI/CIRCLIP RING	100,3	30,175 ^{-0.018}	50,8	9,7	20,5	107,95	12,75x4	5,1	41,9	20°	Ø30,175x92	DÖVME/FORGING
	FY.01350.04.02	12R	-	-	-	EZMELİ/STAKED	-	30	50,8	10	21,5	107,95	12,75x4	5,1	41,9	-	Ø30,175x92	DÖVME/FORGING
	FY.01350.05.02	12R	-	-	-	EZMELİ/STAKED	-	30	50,8	10	21,5	107,95	12,75x4	5,1	41,9	-	Ø30,175x92	DÖVME/FORGING
	FY.01350.07.02	12N	-	-	-	EZMELİ/STAKED	-	30	69,85	9	21,5	95	12,1x4	1,6	46	-	Ø30,175x92	DÖVME/FORGING
	FY.01350.08.02	12R	-	-	94,896 ^{-0.05}	SEGMANLI/CIRCLIP RING	-	30,175 ^{-0.018}	50,8	10	21,5	107,95	12,75x4	5,1	41,9	-	Ø30,175x92	DÖVME/FORGING

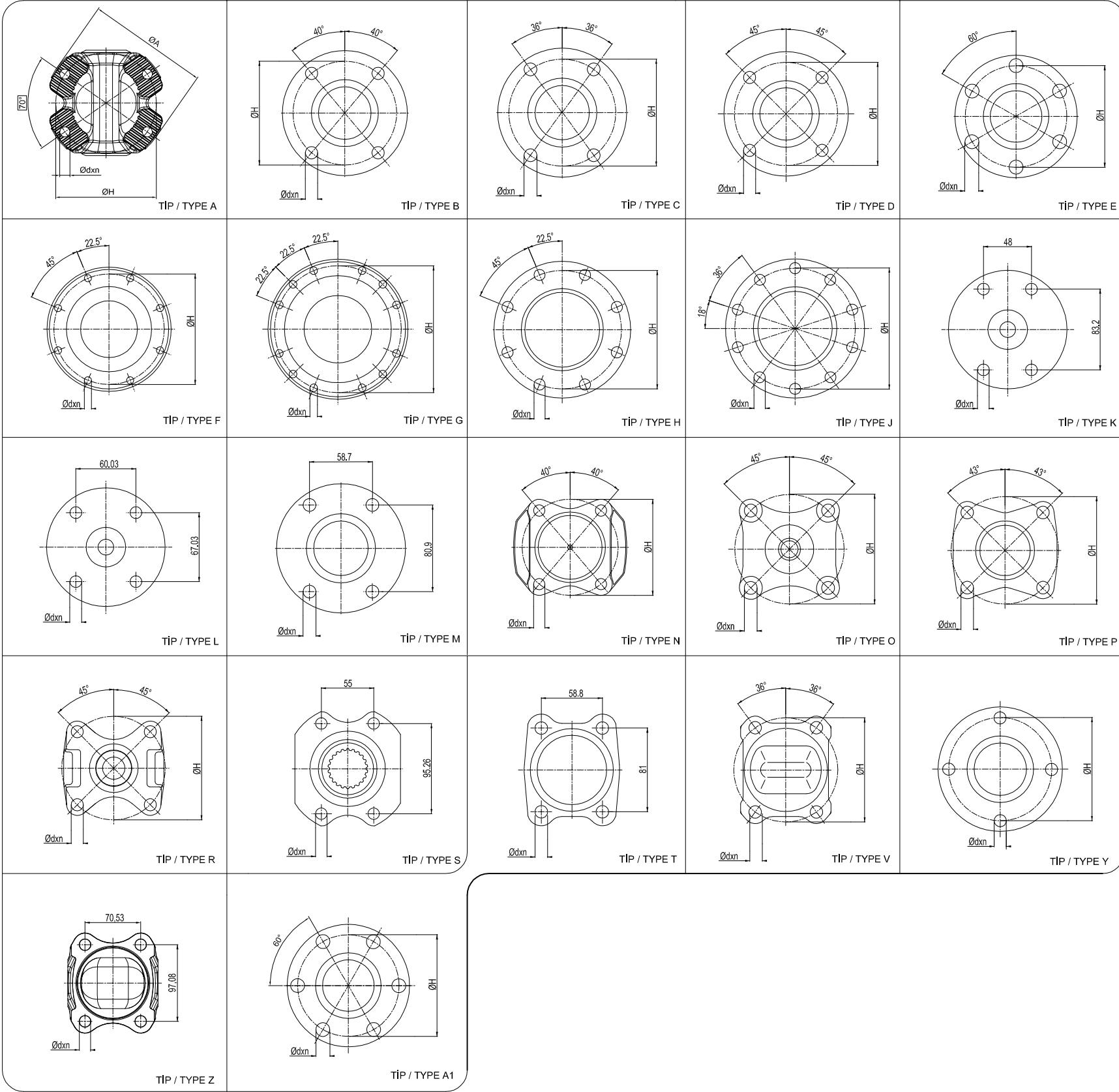
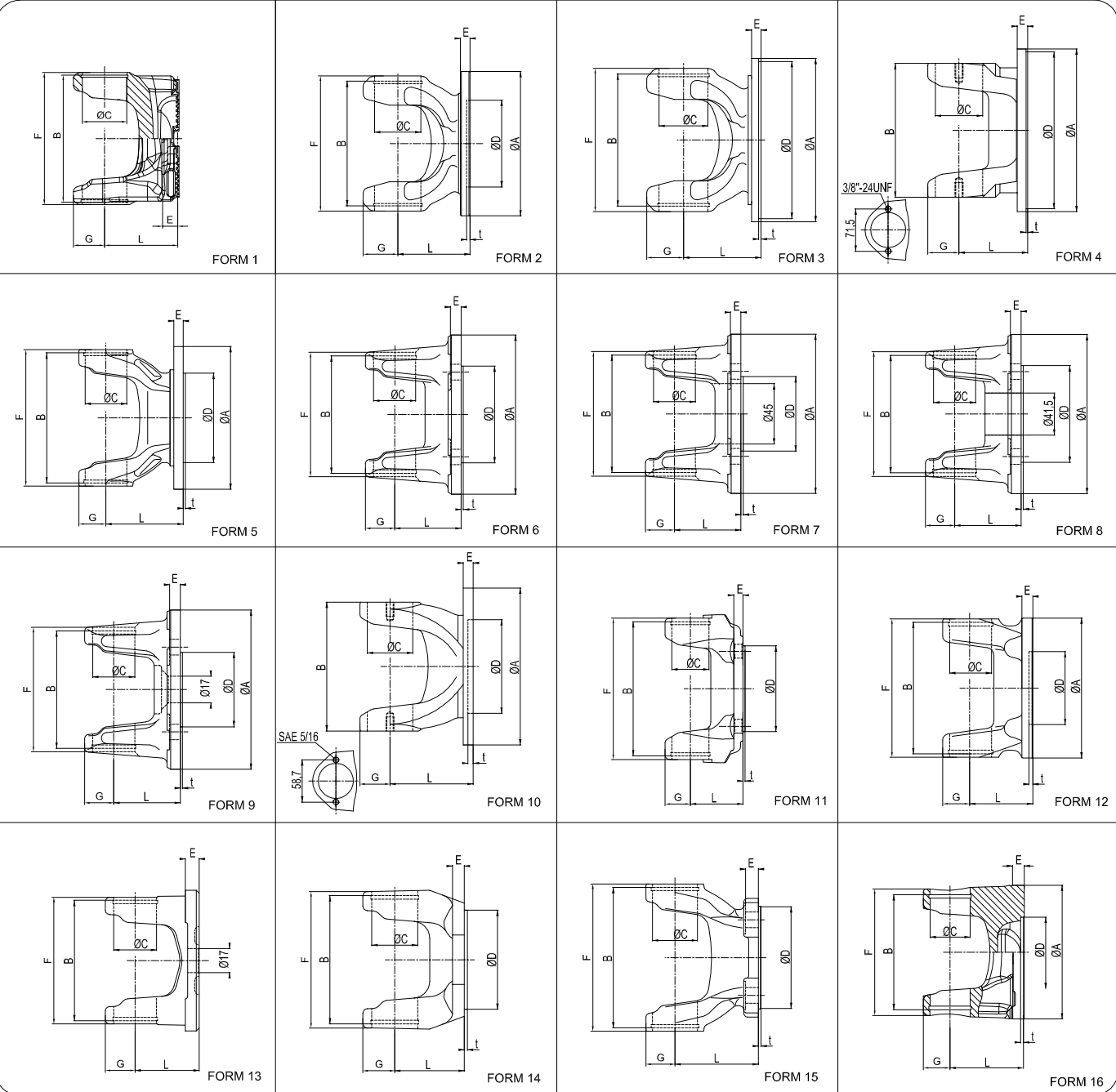


ÖLÇÜ VE RESİMLER BAĞLAYICI OLMAYIP, BİLDİRMEKSİZİN DEĞİŞTİRİLEBİLİR
DIMENSIONS AND ILLUSTRATIONS ARE SUBJECT TO CHANGE, AND WE RESERVE THE RIGHT TO INTRODUCE MODIFICATIONS WITHOUT PRIOR NOTICE



ÇATALLI FLANŞ / FLANGE YOKE

ÇATALLI FLANŞ / FLANGE YOKE



ÖLÇÜ VE RESİMLER BAĞLAYICI OLMAYIP, BİLDİRMEKSİZİN DEĞİŞTİRİLEBİLİR
 DIMENSIONS AND ILLUSTRATIONS ARE SUBJECT TO CHANGE, AND WE RESERVE THE RIGHT TO INTRODUCE MODIFICATIONS WITHOUT PRIOR NOTICE



ÇATALLI FLANŞ

FLANGE YOKE

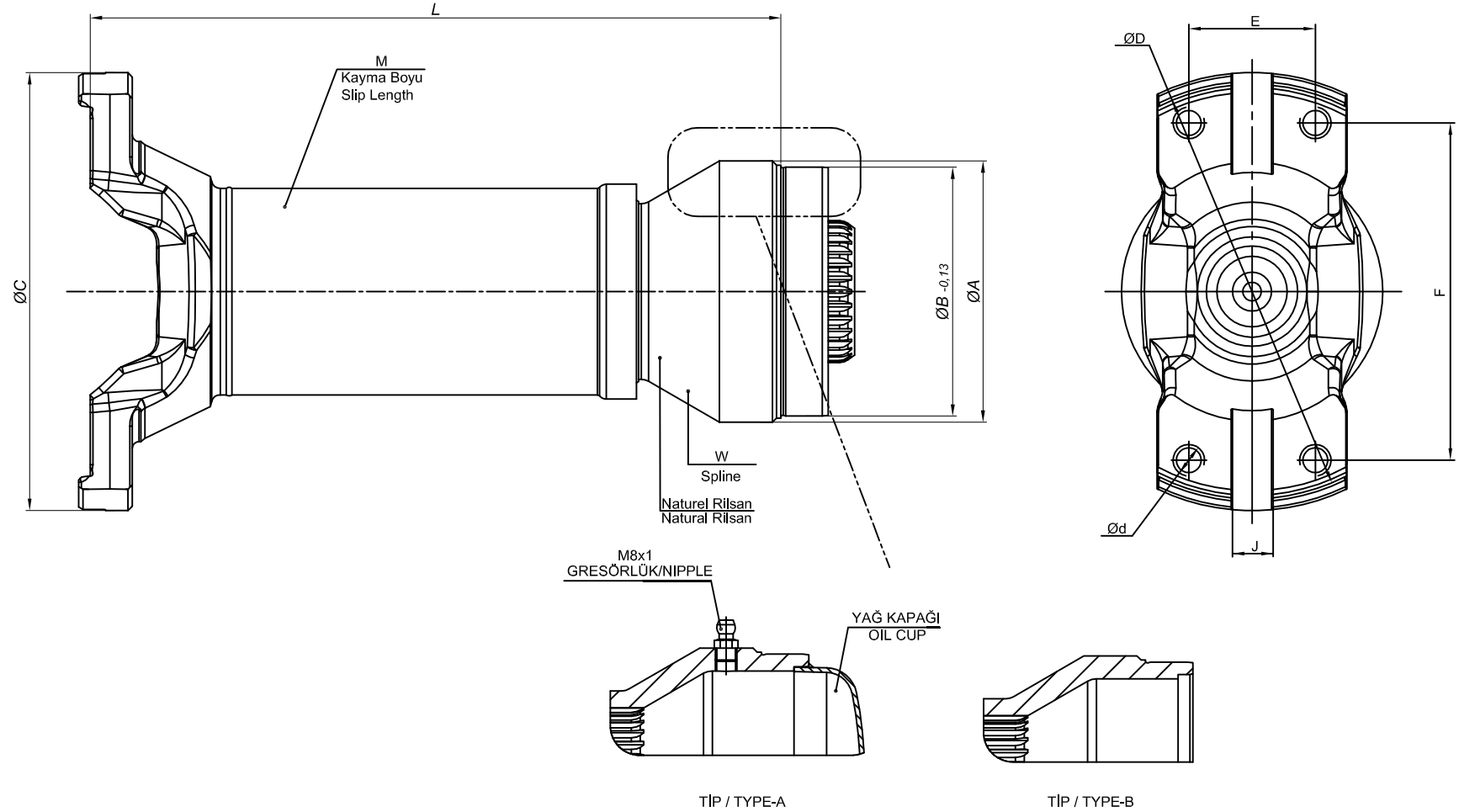
SERİ/SERIE	PARÇA/PART NO	FORM/TYPE	ØA	BAĞLANTI/CONNECTION	B	EZMELİ/STAKED SEGMANLI/CIRCLIP RING KAPAKLI/OUTER CUP	F	ØC	ØD	E	G	ØH	Ødxn	t	L	MAFSAL AÇISI JOINT ANGLE	İSTAVROZ/U.JOINT	DÖVME/DÖKÜM FORGING/CASTING
01410	FY.01410.01.02	11N	-	-	109,25 ^{-0,05}	SEGMANLI/CIRCLIP RING	114,3	30,175 ^{-0,018}	69,85	7,62	20,6	95,3	11,3x4	1,6	42,9	20°	Ø30,175x106,3	DÖVME/FORGING
	FY.01410.02.02	11N	-	-	109,25 ^{-0,05}	SEGMANLI/CIRCLIP RING	114,3	30,175 ^{-0,018}	69,85	7,62	20,6	95,3	12,1x4	1,6	42,9	20°	Ø30,175x106,3	DÖVME/FORGING
	FY.01410.04.02	5C	120	DIN 120	109,25 ^{-0,05}	SEGMANLI/CIRCLIP RING	114,3	30,175 ^{-0,018}	80	8	21	100	10,2x4	2	56	20°	Ø30,175x106,3	DÖKÜM/CASTING
	FY.01410.06.02	11P	-	-	109,25 ^{-0,05}	SEGMANLI/CIRCLIP RING	-	30,175 ^{-0,018}	70	10	20,6	115	12,1x4	2,5	42	20°	Ø30,175x106,3	DÖVME/FORGING
	FY.01410.07.02	2H	120	DIN 120	109,25 ^{-0,05}	SEGMANLI/CIRCLIP RING	114,3	30,175 ^{-0,018}	75	8	21	101,5	10,1x8	2,6	56	20°	Ø30,175x106,3	DÖKÜM/CASTING
	FY.01410.08.02	11B	-	-	109,25 ^{-0,05}	SEGMANLI/CIRCLIP RING	114,3	30,175 ^{-0,018}	69,99	8	20,6	100	12,1x4	1,6	42,9	20°	Ø30,175x106,3	DÖVME/FORGING
	FY.01410.09.02	11B	-	-	109,25 ^{-0,05}	SEGMANLI/CIRCLIP RING	114,3	30,175 ^{-0,018}	69,85	8	20,6	100	12,1x4	1,6	42,9	20°	Ø30,175x106,3	DÖVME/FORGING
	FY.01410.11.02	2E	100	DIN 100	109,25 ^{-0,05}	SEGMANLI/CIRCLIP RING	114,3	30,175 ^{-0,018}	57	8	21	84	8,1x6	2,65	67	20°	Ø30,175x106,3	DÖKÜM/CASTING
	FY.01410.16.02	2H	120	DIN 120	109,25 ^{-0,05}	SEGMANLI/CIRCLIP RING	114,3	30,175 ^{-0,018}	75	8	21	101,5	8,1x8	2,6	56	20°	Ø30,175x106,3	DÖKÜM/CASTING
	FY.01410.18.02	5C	120	DIN 120	109,25 ^{-0,05}	SEGMANLI/CIRCLIP RING	114,3	30,175 ^{-0,018}	80	8	21	100	12,2x4	2	56	20°	Ø30,175x106,3	DÖKÜM/CASTING
FY.01410.25.02	11B	-	-	-	EZMELİ/STAKED	-	30 ^{+0,025}	69,85	8	21,5	95,25	12,1x4	1,4	51	22°	Ø30,175x106,3	DÖVME/FORGING	
FY.01410.26.02	1A	120	XS 120	-	EZMELİ/STAKED	-	30 ^{+0,025}	-	14	21,5	100	11x4	-	57	22°	Ø30,175x106,3	DÖVME/FORGING	
01480	FY.01480.01.02	5M	120	-	109,296 ^{-0,05}	SEGMANLI/CIRCLIP RING	114,7	34,925 ^{-0,018}	80	8	22,7	-	12,2x4	2	65	20°	Ø34,9x106,4	DÖKÜM/CASTING
	FY.01480.02.02	14N	-	-	109,296 ^{-0,05}	SEGMANLI/CIRCLIP RING	114,7	34,925 ^{-0,018}	95,2	9,14	23,5	120,65	12,8x4	2	50,8	20°	Ø34,9x106,4	DÖVME/FORGING
	FY.01480.07.02	15T	-	-	109,296 ^{-0,05}	SEGMANLI/CIRCLIP RING	114,7	34,925 ^{-0,018}	80	10	22,7	-	12,2x4	2	65	20°	Ø34,9x106,4	DÖKÜM/CASTING
	FY.01480.11.02	2H	120	DIN 120	109,296 ^{-0,05}	SEGMANLI/CIRCLIP RING	114,7	34,925 ^{-0,018}	75	8	22,7	101,5	10,1x8	2,5	65	20°	Ø34,9x106,4	DÖKÜM/CASTING
	FY.01480.13.12	2H	120	DIN 120	109,296 ^{-0,05}	SEGMANLI/CIRCLIP RING	114,7	34,925 ^{-0,018}	75	8	22,7	101,5	8,1x8	2,5	65	20°	Ø34,9x106,4	DÖKÜM/CASTING
	FY.01480.14.02	14N	-	-	109,296 ^{-0,05}	SEGMANLI/CIRCLIP RING	114,7	34,925 ^{-0,018}	95,2	9,14	23,5	120,65	14,2x4	2	50,8	20°	Ø34,9x106,4	DÖVME/FORGING
01510	FY.01510.01.02	6B	146	SAE 146	119,35 ^{-0,05}	SEGMANLI/CIRCLIP RING	-	39,68 ^{-0,018}	95,2	9,1	27	120,65	12,8x4	1,6	63,5	20°	Ø39,68x115,8	DÖVME/FORGING
	FY.01510.02.02	6B	146	SAE 146	119,35 ^{-0,05}	SEGMANLI/CIRCLIP RING	124	39,68 ^{-0,018}	95,2	9,1	27	120,65	14,2x4	1,6	63,5	20°	Ø39,68x115,8	DÖVME/FORGING
	FY.01510.03.02	2H	120	DIN 120	119,35 ^{-0,05}	SEGMANLI/CIRCLIP RING	126,5	39,68 ^{-0,018}	75	7	27	101,5	10,1x8	2,6	75	-	Ø39,68x115,8	DÖKÜM/CASTING
	FY.01510.04.02	2H	165	DIN 165	119,35 ^{-0,05}	SEGMANLI/CIRCLIP RING	-	39,68 ^{-0,018}	95	12	28	140	14,2x8	3,4	82,5	35°	Ø39,68x115,8	DÖKÜM/CASTING
	FY.01510.09.02	2H	146	SAE 146	119,35 ^{-0,05}	SEGMANLI/CIRCLIP RING	-	39,68 ^{-0,018}	109,85	7,9	28	130,15	8,07x8	2,4	81	35°	Ø39,68x115,8	DÖKÜM/CASTING
	FY.01510.10.02	5H	130	Ø130	119,35 ^{-0,05}	SEGMANLI/CIRCLIP RING	127	39,68 ^{-0,018}	82,51	8,2	27	112	10,1x8	2,3	75	29°	Ø39,68x115,8	DÖKÜM/CASTING
01600	FY.01600.01.02	3F	175	SAE 174,6	135,67 ^{-0,06}	SEGMANLI/CIRCLIP RING	141,5	47 ^{-0,018}	168,2	10,5	34,5	155,5	9,8x8	2,5	90	25°	Ø47x132	DÖKÜM/CASTING
	FY.01600.03.02	10H	165	DIN 165	134,92 ^{-0,05}	KAPAKLI/OUTER CUP	134,92 ^{-0,05}	47,64 ^{-0,018}	95	12	32	140	14,1x8	3	90	-	Ø47,64x135	DÖVME/FORGING
	FY.01600.04.02	3F	175	SAE 174,6	135,67 ^{-0,06}	SEGMANLI/CIRCLIP RING	141,5	47 ^{-0,018}	168,2	12,1	34,5	155,5	10,1x8	3	90	25°	Ø47x132	DÖVME/FORGING
	FY.01600.05.02	2H	150	DIN 150	135,67 ^{-0,06}	SEGMANLI/CIRCLIP RING	141,5	47 ^{-0,018}	90	12	34,5	130	12,1x8	3,4	90	-	Ø47x132	DÖKÜM/CASTING
	FY.01600.06.02	10H	150	DIN 150	134,92 ^{-0,05}	KAPAKLI/OUTER CUP	134,92 ^{-0,05}	47,64 ^{-0,018}	90	10	32	130	12,1x8	3	90	-	Ø47,64x135	DÖVME/FORGING
01630	FY.01630.01.02	3F	175	SAE 174,6	119,265 ^{-0,06}	SEGMANLI/CIRCLIP RING	125,1	39,68 ^{-0,018}	168,2	9,5	28	155,5	9,8x8	2,5	82,5	35°	Ø39,68x115,8	DÖKÜM/CASTING
	FY.01630.02.02	2H	150	DIN 150	119,265 ^{-0,06}	SEGMANLI/CIRCLIP RING	126	39,68 ^{-0,018}	90	10	28	130	12,1x8	3	82,5	35°	Ø39,68x115,8	DÖKÜM/CASTING
	FY.01630.03.02	2H	150	DIN 150	119,265 ^{-0,06}	SEGMANLI/CIRCLIP RING	126	39,68 ^{-0,018}	90	10	28	130	10,1x8	3	82,5	35°	Ø39,68x115,8	DÖKÜM/CASTING
01800	FY.01800.01.02	4G	203,2	SAE 203,2	167,49 ^{-0,05}	KAPAKLI/OUTER CUP	167,49 ^{-0,05}	59 ^{-0,004/-0,014}	196,8	11,2	38,9	184,15	11,1x12	3	85,7	28°	Ø59x167,5	DÖVME/FORGING
	FY.01800.04.02	4G	204	SAE 203,2	167,58 ^{-0,05}	KAPAKLI/OUTER CUP	167,58 ^{-0,05}	59 ^{-0,004/-0,021}	196,77	12	38,9	184,2	10,1x12	3	85,7	28°	Ø59x167,5	DÖVME/FORGING



ÖLÇÜ VE RESİMLER BAĞLAYICI OLMAYIP, BİLDİRMEKSİZİN DEĞİŞTİRİLEBİLİR
DIMENSIONS AND ILLUSTRATIONS ARE SUBJECT TO CHANGE, AND WE RESERVE THE RIGHT TO INTRODUCE MODIFICATIONS WITHOUT PRIOR NOTICE



MEKANİK TİP KAYICI TAKIM WING TYPE SPLINE ASSEMBLY



ÖLÇÜ VE RESİMLER BAĞLAYICI OLMAYIP, BİLDİRMEKSİZİN DEĞİŞTİRİLEBİLİR
DIMENSIONS AND ILLUSTRATIONS ARE SUBJECT TO CHANGE, AND WE RESERVE THE RIGHT TO INTRODUCE MODIFICATIONS WITHOUT PRIOR NOTICE



MEKANİK TİP KAYICI TAKIM WING TYPE SPLINE ASSEMBLY

SERİ/SERIE	PARÇA/PART NO	TİP / TYPE	ØA	ØB	ØC	ØD	Ød	J	E	F	L	M	W	GRESÖRLÜK NIPPLE	BORU/TUBE
6C	SA.06000.02.02	A	88,5	84,4	148,4	140,46	3/8"x24 UNF-2B	14,26+0,04	42,9	114,3	234	120	Ø48x1,5x30°x30	M8x1	Ø88,9x2,4
	SA.06000.03.02	B	88,5	84,4	148,4	140,46	3/8"x24 UNF-2B	14,26+0,04	42,9	114,3	234	120	Ø48x1,5x30°x30	-	Ø88,9x2,4
	SA.06000.04.02	B	76,2	71,7	148,4	140,46	3/8"x24 UNF-2B	14,26+0,04	42,9	114,3	234	120	Ø48x1,5x30°x30	-	Ø76,2x2,4

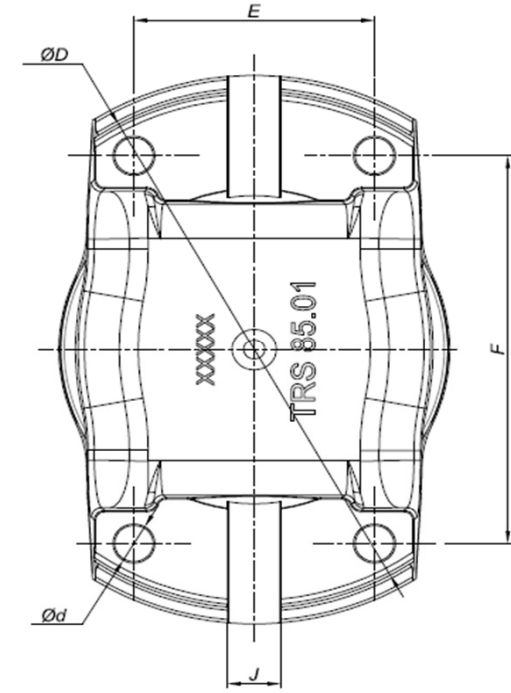
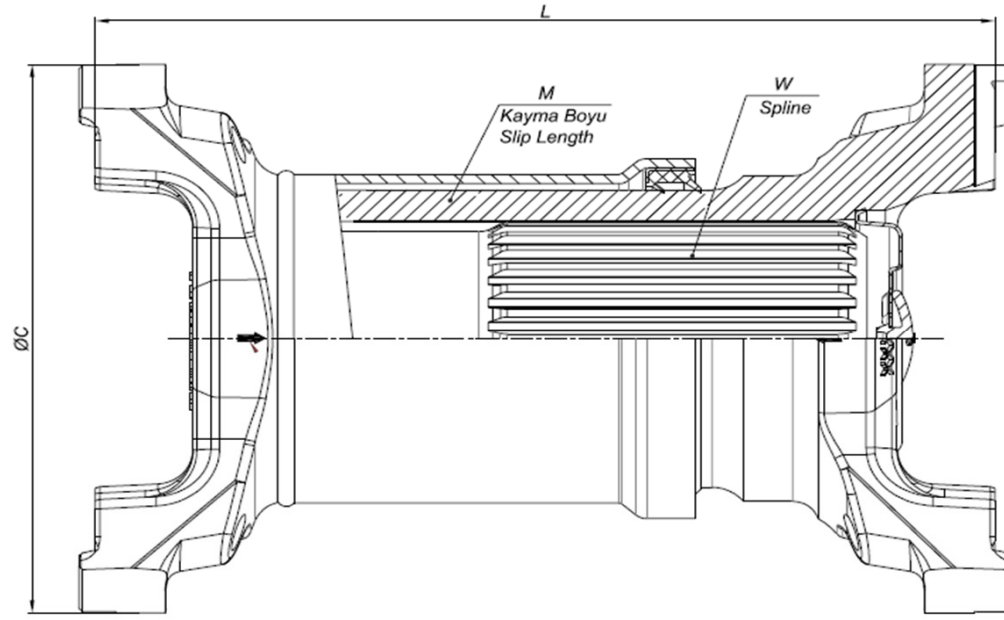
7C	SA.07000.03.02	A	88,9	84,4	158	148,38	1/2"x20 UNF-2B	15,85+0,04	49,2	117,5	260	127	Ø55x2,5x30°x20	M8x1	Ø88,9x2,4
	SA.07000.04.02	A	88,9	83,1	158	148,38	1/2"x20 UNF-2B	15,85+0,04	49,2	117,5	260	127	Ø55x2,5x30°x20	M8x1	Ø88,9x3,05
	SA.07000.05.02	B	88,9	84,4	158	148,38	1/2"x20 UNF-2B	15,85+0,04	49,2	117,5	260	127	Ø55x2,5x30°x20	-	Ø88,9x2,4
	SA.07000.06.02	B	88,9	83,4	158	148,38	1/2"x20 UNF-2B	15,85+0,04	49,2	117,5	260	127	Ø55x2,5x30°x20	-	Ø88,9x3,05
	SA.07000.07.02	A	88	80,3	158	148,38	1/2"x20 UNF-2B	15,85+0,04	49,2	117,5	260	127	Ø55x2,5x30°x20	M8x1	Ø88x4
	SA.07000.08.02	B	88	80,3	158	148,38	1/2"x20 UNF-2B	15,85+0,04	49,2	117,5	260	127	Ø55x2,5x30°x20	-	Ø88x4

8,5C	SA.08500.01.02	A	101,6	95,1	175	165,1	1/2"x20 UNF-2B	15,85+0,04	71,42	123,8	280	120	Ø75x2,5x30°x28	M8x1	Ø101,6x3,4
	SA.08500.02.02	A	100	88,3	175	165,1	1/2"x20 UNF-2B	15,85+0,04	71,42	123,8	280	120	Ø75x2,5x30°x28	M8x1	Ø100x6
	SA.08500.03.02	B	101,6	95,1	175	165,1	1/2"x20 UNF-2B	15,85+0,04	71,42	123,8	280	120	Ø75x2,5x30°x28	-	Ø101,6x3,4
	SA.08500.04.02	B	100	88,3	175	165,1	1/2"x20 UNF-2B	15,85+0,04	71,42	123,8	280	120	Ø75x2,5x30°x28	-	Ø100x6

9C	SA.09000.01.02	B	115	100,3	223	209,52	1/2"x20 UNF-2B	15,85+0,04	71,42	168,8	354	180	Ø90x2,5x30°x34	-	Ø115x7,5
	SA.09000.02.02	A	115	100,3	223	209,52	1/2"x20 UNF-2B	15,85+0,04	71,42	168,8	354	180	Ø90x2,5x30°x34	M8x1	Ø115x7,5
	SA.09000.03.02	B	115	100,3	223	209,52	1/2"x20 UNF-2B	15,85+0,04	71,42	168,8	304	130	Ø90x2,5x30°x34	-	Ø115x7,5
	SA.09000.04.02	A	115	100,3	223	209,52	1/2"x20 UNF-2B	15,85+0,04	71,42	168,8	304	130	Ø90x2,5x30°x34	M8x1	Ø115x7,5



MEKANİK TİP KISA KARDAN MİLİ WING TYPE SHORT COUPLE



SERİ/SERIE	PARÇA/PART NO	ØC	ØD	E	F	Ød	J	L		M		W	MAFSAL AÇISI/JOINT ANGLE
								Min.	Max.	Min.	Max.		
6C	SA.06000.06.02	148,4	140,46+0,05	42,9	114,3	3/8"x24 UNF-2B	14,26+0,04	190	290	50	120	Ø48x1,5x30°x30	30

7C	SA.07000.09.02	158	148,38+0,05	49,2	117,5	1/2"-20 UNF-2B	15,85+0,04	190	320	50	155	Ø55x2,5x30°x20	25°
----	----------------	-----	-------------	------	-------	----------------	------------	-----	-----	----	-----	----------------	-----

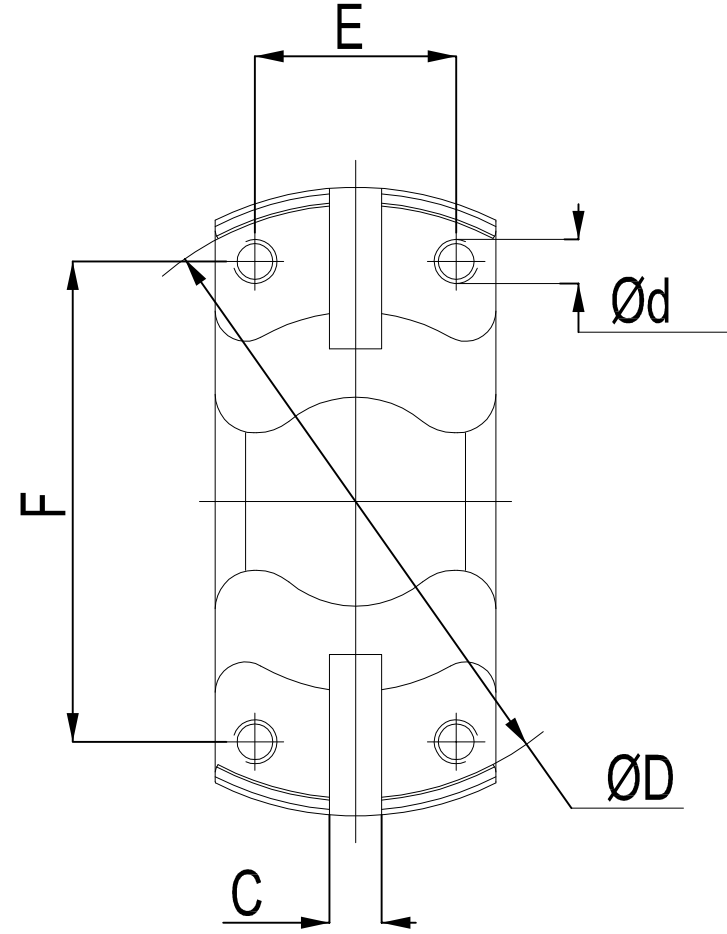
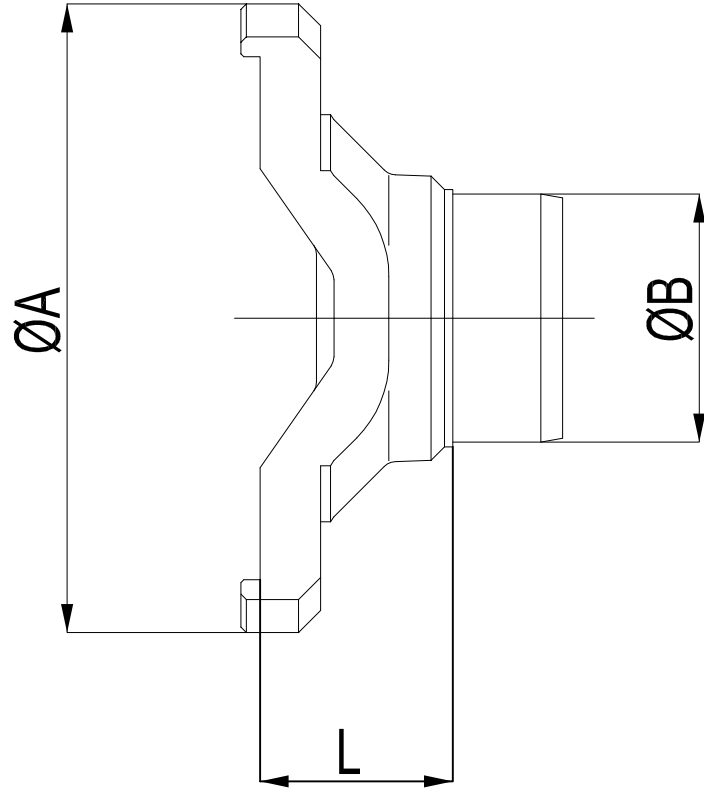
SERİ/SERIE	PARÇA/PART NO	ØC	ØD	E	F	Ød	J	L	M	W	MAFSAL AÇISI/JOINT ANGLE
SC.09850.02.02	175	165,1+0,05	71,42	123,8	1/2"-20 UNF-2B	15,85+0,04	208	65	Ø75x2,5x30°x28	25°	
SC.09850.03.02	175	165,1+0,05	71,42	123,8	1/2"-20 UNF-2B	15,85+0,04	267	85	Ø75x2,5x30°x28	25°	
SC.09850.04.02	175	165,1+0,05	71,42	123,8	1/2"-20 UNF-2B	15,85+0,04	239	65	Ø75x2,5x30°x28	25°	
SC.09850.05.02	175	165,1+0,05	71,42	123,8	1/2"-20 UNF-2B	15,85+0,04	223	75	Ø75x2,5x30°x28	25°	



ÖLÇÜ VE RESİMLER BAĞLAYICI OLMAYIP, BİLDİRMEKSİZİN DEĞİŞTİRİLEBİLİR
DIMENSIONS AND ILLUSTRATIONS ARE SUBJECT TO CHANGE, AND WE RESERVE THE RIGHT TO INTRODUCE MODIFICATIONS WITHOUT PRIOR NOTICE



MEKANİK TİP TÜP ÇATAL WING TYPE TUBE YOKE



ÖLÇÜ VE RESİMLER BAĞLAYICI OLMAYIP, BİLDİRMEKSİZİN DEĞİŞTİRİLEBİLİR
DIMENSIONS AND ILLUSTRATIONS ARE SUBJECT TO CHANGE, AND WE RESERVE THE RIGHT TO INTRODUCE MODIFICATIONS WITHOUT PRIOR NOTICE



MEKANİK TİP TÜP ÇATAL WING TYPE TUBE YOKE

SERİ/SERIE	PARÇA/PART NO	ØA	ØB	C	ØD	E	F	Ød	L	BORU/TUBE
6C	TY.06000.05.02	148,4	71,7	14,26	140,46	42,9	114,3	3/8"-24 UNF-2B	47,6	Ø76,2x2,4
	TY.06000.06.02	148,4	84,4	14,26	140,46	42,9	114,3	3/8"-24 UNF-2B	47,6	Ø88,9x2,4

7C	TY.07000.05.02	158	83,1	15,85	148,38	49,2	117,5	1/2"-20 UNF-2B	53,85	Ø88,9x3,05
	TY.07000.06.02	158	84,4	15,85	148,38	49,2	117,5	1/2"-20 UNF-2B	53,85	Ø88,9x2,4
	TY.07000.07.02	158	80,3	15,85	148,38	49,2	117,5	1/2"-20 UNF-2B	53,85	Ø88x4

8,5C	TY.08500.01.02	175	95,1	15,85	165,1	71,42	123,8	1/2"-20 UNF-2B	66,5	Ø101,6x3,4
	TY.08500.02.02	175	88,3	15,85	165,1	71,42	123,8	1/2"-20 UNF-2B	66,5	Ø100x6

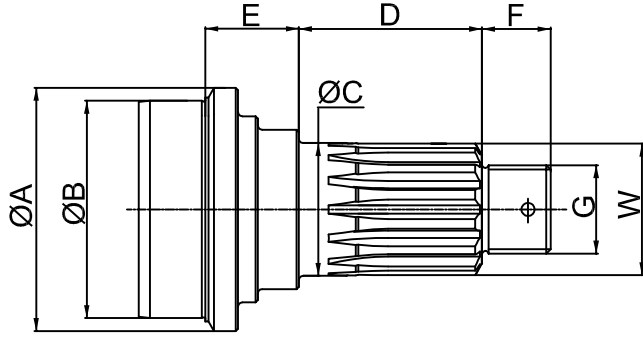
9C	TY.09000.01.02	223	100,3	15,85	209,52	71,42	168,28	1/2"-20 UNF-2B	75	Ø115x7,5
----	----------------	-----	-------	-------	--------	-------	--------	----------------	----	----------



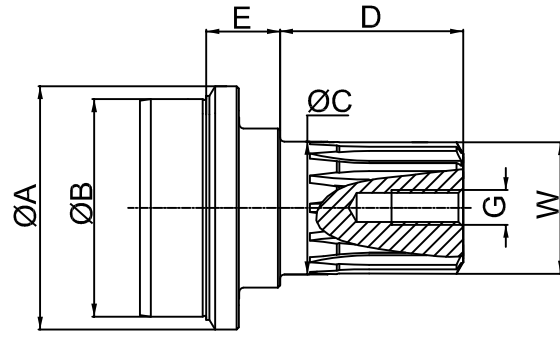
ÖLÇÜ VE RESİMLER BAĞLAYICI OLMAYIP, BİLDİRMEKSİZİN DEĞİŞTİRİLEBİLİR
DIMENSIONS AND ILLUSTRATIONS ARE SUBJECT TO CHANGE, AND WE RESERVE THE RIGHT TO INTRODUCE MODIFICATIONS WITHOUT PRIOR NOTICE



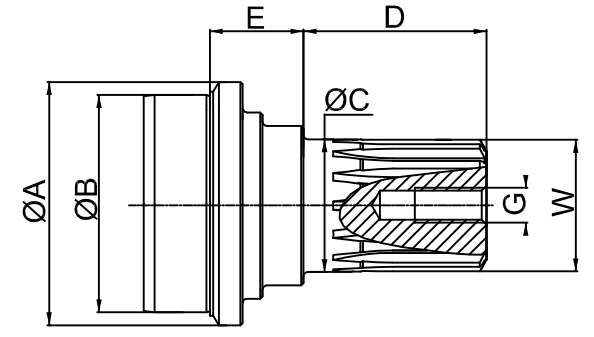
ARA YATAK MİLİ / MIDSHIP STUB



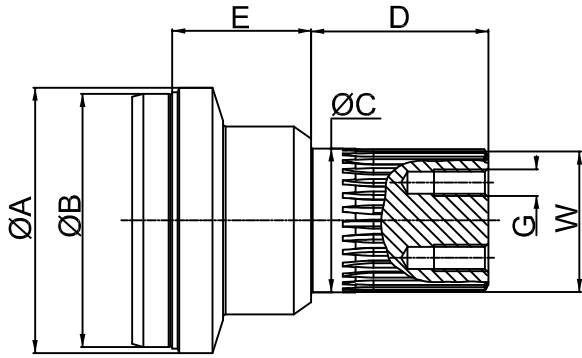
TİP / TYPE A



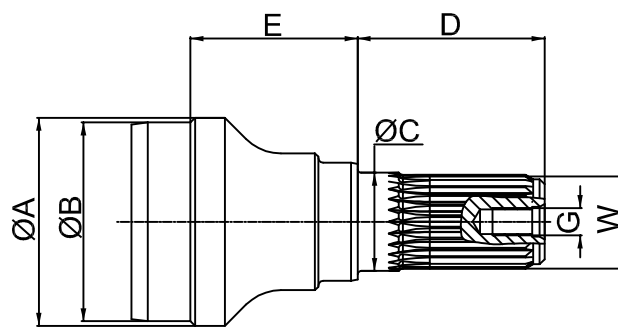
TİP / TYPE B



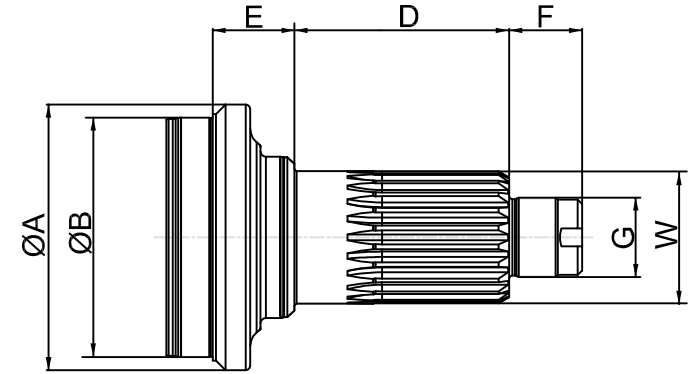
TİP / TYPE C



TİP / TYPE D



TİP / TYPE E



TİP / TYPE F



ÖLÇÜ VE RESİMLER BAĞLAYICI OLMAYIP, BİLDİRMEKSİZİN DEĞİŞTİRİLEBİLİR
DIMENSIONS AND ILLUSTRATIONS ARE SUBJECT TO CHANGE, AND WE RESERVE THE RIGHT TO INTRODUCE MODIFICATIONS WITHOUT PRIOR NOTICE

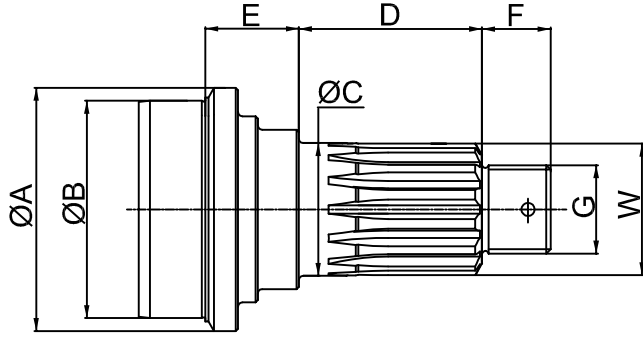


ARA YATAK MİLİ
MIDSHIP STUB

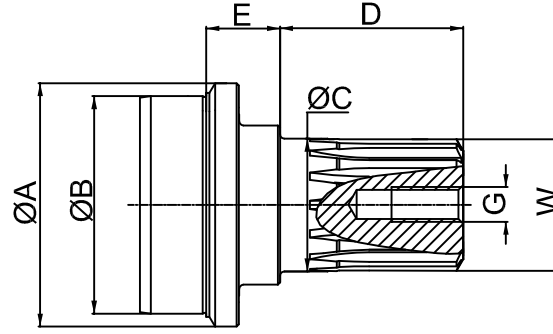
SERİ/SERIE	PARÇA/PART NO.	TİP/TYPE	ØA	ØB	ØC	D	E	F	G	W	BORU/TUBE
00385	MS.00385.01.02	B	92	82,3-0,13	55	89	31	-	M16x1,5	Ø55x2,5x30 °x20	Ø92x5
	MS.00385.03.02	B	92	82,3-0,13	55	89	31	-	M16x1,5	Ø55x2,5x30 °x20	Ø92x5
	MS.00385.05.02	B	120	112,3-0,13	55	89	55	-	M16x1,5	Ø55x2,5x30 °x20	Ø120x4
00389	MS.00389.01.02	B	100	92,3-0,13	55	89	31	-	M16x1,5	Ø55x2,5x30 °x20	Ø100x4
58730	MS.58730.01.02	C	92	82,3-0,13	55	76,3	43	-	M16x1,5	Ø55x2,5x30 °x20	Ø92x5
	MS.58730.03.02	C	100	92,3-0,13	55	76,3	43	-	M16x1,5	Ø55x2,5x30 °x20	Ø100x4
	MS.58730.04.02	A	110	98,3-0,13	60	82,8	42,3	31	1 1/4"-18UNEF 2A	Ø60x2,5x30 °x22	Ø110x6
	MS.58730.08.02	A	92	82,3-0,13	60	82,5	42,3	30	1 1/4"-18UNEF 2A	Ø60x2,5x30 °x22	Ø92x5
	MS.58730.09.02	A	110	98,3-0,13	60	94,3	42,3	31	1 1/4"-18UNEF 2A	Ø60x2,5x30 °x22	Ø110x6
	MS.58730.11.02	C	90	80,3-0,13	55	76,3	43	-	M16x1,5	Ø55x2,5x30 °x20	Ø90x5
58735	MS.58735.01.02	D	110	98,3-0,13	65	84	20	-	M12x1,5	Ø65x2x30 °x31	Ø110x6
	MS.58735.05.02	D	120	112,3-0,13	65	84	20	-	M12x1,5	Ø65x2x30 °x31	Ø120x4
	MS.58735.06.02	D	120	108,3-0,13	65	84	20	-	M12x1,5	Ø65x2x30 °x31	Ø120x6
	MS.58735.07.02	D	120	114,3-0,13	65	84	20	-	M12x1,5	Ø65x2x30 °x31	Ø120x3
68725	MS.68725.01.02	A	76,2	71,7-0,13	40	76,2	37,8	22	1"-20UNEF 2A	Ø40x2,5x30 °x14	Ø76,2x2,41
68730	MS.68730.01.02	A	88,9	84,4-0,13	45	66,5	44,5	22,4	1 1/16"-20UNF	Ø45x2,5x30 °x16	Ø88,9x2,4
	MS.68730.02.02	A	88,9	84,4-0,13	45	73,5	41	22,4	1 1/16"-20UNF	Ø45x2,5x30 °x16	Ø88,9x2,4
	MS.68730.03.02	F	90	84,4-0,13	40	76,2	43,5	32	M30x1,5	JIS Ø40x22x1,667	Ø90x3,2
	MS.68730.04.02	A	90	84,4-0,13	45	73,5	41	22,4	1 1/16"-20UNF	Ø45x2,5x30 °x16	Ø90x3,2
	MS.68730.05.02	F	88,9	84,4-0,13	40	76,2	43,5	32	M30x1,5	JIS Ø40x22x1,667	Ø88,9x2,4
	MS.68730.06.02	F	88,9	84,4-0,13	45	77,5	37	32	M30x1,5	Ø45x2,5x30 °x16	Ø88,9x2,4
	MS.68730.07.02	F	90	84,4-0,13	45	77,5	37	32	M30x1,5	Ø45x2,5x30 °x16	Ø90x3,2
68745	MS.68745.02.02	A	120	112,3-0,13	60	83	42,3	31	1 1/4"-18UNEF 2A	Ø60x2,5x30 °x22	Ø120x4
	MS.68745.05.02	A	120	112,3-0,13	60	110,5	52	34,5	M36x1,5	Ø60x2,5x30 °x22	Ø120x4
68755	MS.68755.01.02	A	110	98,3-0,13	60	91	42,3	30	1 1/4"-18UNEF 2A	Ø60x2,5x30 °x22	Ø110x6
	MS.68755.03.02	F	120	108,3-0,13	60	97	37	33	M36x1,5	Ø60x2,5x30 °x22	Ø120x6
	MS.68755.05.02	F	110	98,3-0,13	60	97	37	33	M36x1,5	Ø60x2,5x30 °x22	Ø110x6
	MS.68755.08.02	F	120	108,3-0,13	65	110,5	52	34,5	M36x1,5	Ø65x2x30 °x31	Ø120x6
68760	MS.68760.01.02	D	130	118,3-0,13	65	84	63,5	-	M12x1,5	Ø65x2x30 °x31	Ø130x6
	MS.68760.02.02	F	130	118,3-0,13	65	97	38	34,5	M36x1,5	Ø65x2x30 °x31	Ø130x6
	MS.68760.03.02	F	130	118,3-0,13	65	110,5	52	34,5	M36x1,5	Ø65x2x30 °x31	Ø130x6
68765	MS.68765.01.02	D	140	130,3-0,13	65	84	60,5	-	M12x1,5	Ø65x2x30 °x31	Ø140x5
	MS.68765.02.02	F	140	130,3-0,13	60	97	53	33	M36x1,5	Ø60x2,5x30 °x22	Ø140x5
	MS.68765.03.02	F	120	108,3-0,13	65	97	38	34,5	M36x1,5	Ø65x2x30 °x31	Ø120x6
	MS.68765.04.02	F	140	130,3-0,13	65	97	42	34,5	M36x1,5	Ø65x2x30 °x31	Ø140x5
	MS.68765.05.02	F	140	130,3-0,13	65	110,5	52	34,5	M36x1,5	Ø65x2x30 °x31	Ø140x5



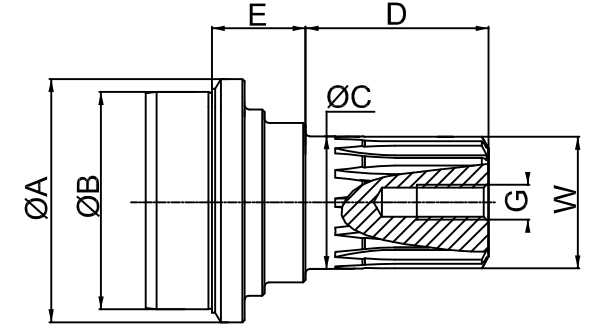
ARA YATAK MİLİ / MIDSHIP STUB



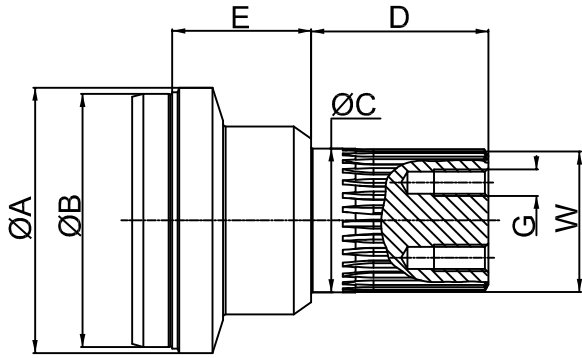
TİP / TYPE A



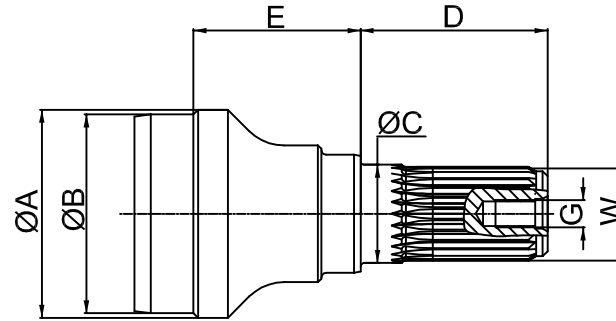
TİP / TYPE B



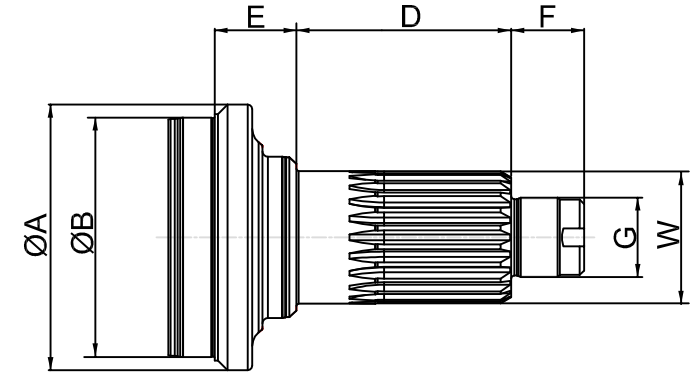
TİP / TYPE C



TİP / TYPE D



TİP / TYPE E



TİP / TYPE F



ÖLÇÜ VE RESİMLER BAĞLAYICI OLMAYIP, BİLDİRMEKSİZİN DEĞİŞTİRİLEBİLİR
DIMENSIONS AND ILLUSTRATIONS ARE SUBJECT TO CHANGE, AND WE RESERVE THE RIGHT TO INTRODUCE MODIFICATIONS WITHOUT PRIOR NOTICE



ARA YATAK MİLİ
MIDSHIP STUB

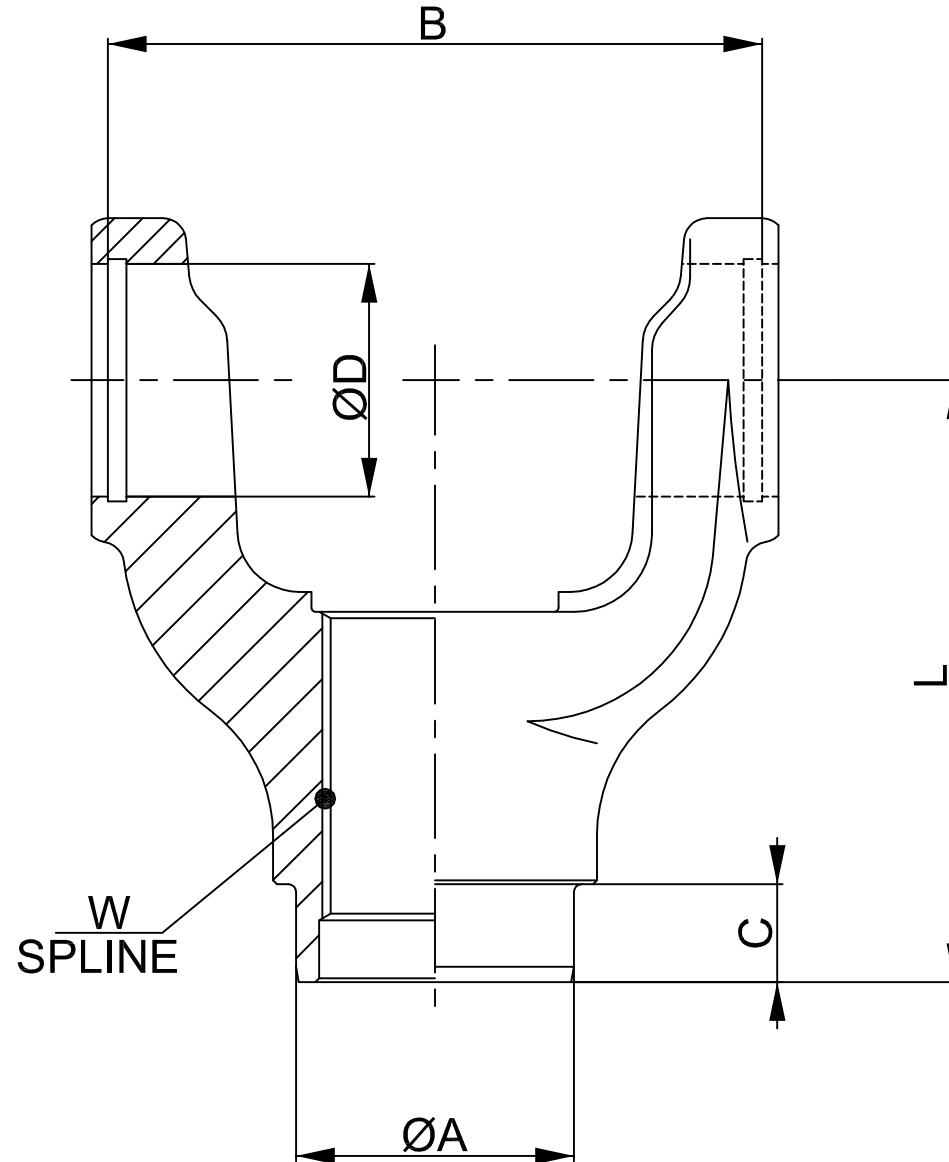
SERİ/SERIE	PARÇA/PART NO.	TİP/TYPE	ØA	ØB	ØC	D	E	F	G	W	BORU/TUBE
01140	MS.01140.03.02	E	63,5	60,6-0,13	30	57	51	-	M10x1	Z 26,24/48 DP,PA 45°	Ø63,5x1,6
01300	MS.01300.01.02	E	50,8	46,3-0,13	30	57	25	-	M10x1	Z 26,24/48 DP,PA 45°	Ø50,8x2,4
	MS.01300.04.02	E	76,2	73,3-0,13	30	57	55	-	M10x1	Z 26,24/48 DP,PA 45°	Ø76,2x1,6
	MS.01300.13.02	E	76,2	71,7-0,13	30	57	55	-	M10x1	Z 26,24/48 DP,PA 45°	Ø76,2x2,4
01310	MS.01310.01.02	A	70	66,3-0,13	35	59,5	32,5	25	3/4"-20UNEF 2A	SAE Ø34,9x10C	Ø70x2
	MS.01310.02.02	A	63,5	60,6-0,13	35	59,5	32,1	25	3/4"-20UNEF 2A	SAE Ø34,9x10C	Ø63,5x1,6
	MS.01310.07.02	A	60	55,3-0,13	35	59,5	32,5	25	3/4"-20UNEF 2A	SAE Ø34,9x10C	Ø60x2,5
	MS.01310.14.02	A	63,5	60,6-0,13	30	61	39,5	25	3/4"-20UNEF 2A	Z 26,24/48 DP,PA 45°	Ø63,5x1,6
01410	MS.01410.01.02	A	76,2	71,7-0,13	40	75,5	28,1	23,5	1"-20UNEF 2A	Ø40x2,5x30°x14	Ø76,2x2,4
	MS.01410.05.02	A	76,2	71,7-0,13	40	75,5	43	23,5	1"-20UNEF 2A	Ø40x2,5x30°x14	Ø76,2x2,4
	MS.01410.07.02	A	76,2	71,7-0,13	40	75,5	28,1	23,5	1"-20UNEF 2A	SAE Ø38,1x10C	Ø76,2x2,4
01480	MS.01480.01.02	A	76,2	71,7-0,13	40	75,5	28,1	23,5	1"-20UNEF 2A	Ø40x2,5x30°x14	Ø76,2x2,4
	MS.01480.02.02	A	76,2	71,7-0,13	45	74,5	41	22,4	1 1/16"-20UN	Ø45x2,5x30°x16	Ø76,2x2,4
01510	MS.01510.01.02	A	88,9	84,4-0,13	40	75,5	28,1	23,5	1"-20UNEF 2A	SAE Ø38,1x10C	Ø88,9x2,4
01600	MS.01600.01.02	A	88,9	83,3-0,13	45	82,5	30,2	25,4	1 1/16"-20UN	SAE Ø44,45x10C	Ø88,9x3
01610	MS.01610.01.02	A	90	82,3-0,13	45	82,5	36	22,4	1 1/16"-20UN	SAE Ø44,45x10C	Ø90x4
01630	MS.01630.01.02	A	90	82,3-0,13	45	74,5	41	22,4	1 1/16"-20UN	SAE Ø44,45x10C	Ø90x4
	MS.01630.04.02	A	88,9	84,4-0,13	45	74,5	41	22,4	1 1/16"-20UN	SAE Ø44,45x10C	Ø88,9x2,4
	MS.01630.08.02	A	76,2	71,7-0,13	45	74,5	41	22,4	1 1/16"-20UN	SAE Ø44,45x10C	Ø76,2x2,4
	MS.01630.10.02	A	90	82,3-0,13	45	74,5	41	22,4	1 1/16"-20UN	SAE Ø44,45x10C	Ø90x4
	MS.01630.12.02	A	76,2	71,7-0,13	45	74,5	41	22,4	1 1/16"-20UN	SAE Ø44,45x10C	Ø76,2x2,4
	MS.01630.13.02	A	76,2	71,7-0,13	45	78,5	37	22,4	1 1/16"-20UN	SAE Ø44,45x10C	Ø76,2x2,4
	MS.01630.14.02	A	90	82,3-0,13	45	78,5	37	22,4	1 1/16"-20UN	SAE Ø44,45x10C	Ø90x4
01800	MS.01800.01.02	A	110	98,3-0,13	60	91	42,3	30	1 1/4"-18UNEF 2A	SAE Ø57,15x10C	Ø110x6



ÖLÇÜ VE RESİMLER BAĞLAYICI OLMAYIP, BİLDİRMEKSİZİN DEĞİŞTİRİLEBİLİR
DIMENSIONS AND ILLUSTRATIONS ARE SUBJECT TO CHANGE, AND WE RESERVE THE RIGHT TO INTRODUCE MODIFICATIONS WITHOUT PRIOR NOTICE



ARA ÇATAL / MIDSHIP YOKE



ARA ÇATAL MIDSHIP YOKE

SERİ/SERIE	PARÇA/PART NO	ØA	B	C	ØD	L	W
68720	MY.68720.01.02	36	84,78	12,7	30,175	78	Z 26,24/48 DP,PA 45°
	MY.68720.07.02	36	84,78	12,5	30,175	88	Z 26,24/48 DP,PA 45°

01140	MY.01140.02.02	36	64,26	12,7	23,825	80,7	Z 26,24/48 DP,PA 45°
-------	----------------	----	-------	------	--------	------	----------------------

01300	MY.01300.01.02	36	77,57	12,7	27	80	Z 26,24/48 DP,PA 45°
-------	----------------	----	-------	------	----	----	----------------------

01310	MY.01310.01.02	36	84,78	12,7	27	89	Z 26,24/48 DP,PA 45°
	MY.01310.03.02	36	84,78	12,7	27	76	Z 26,24/48 DP,PA 45°
	MY.01310.08.02	37	84,78	23	27	76	Z 26,24/48 DP,PA 45°

01350	MY.01350.06.02	35,9	94,89	12,5	30,175	85,5	Z 26,24/48 DP,PA 45°
-------	----------------	------	-------	------	--------	------	----------------------

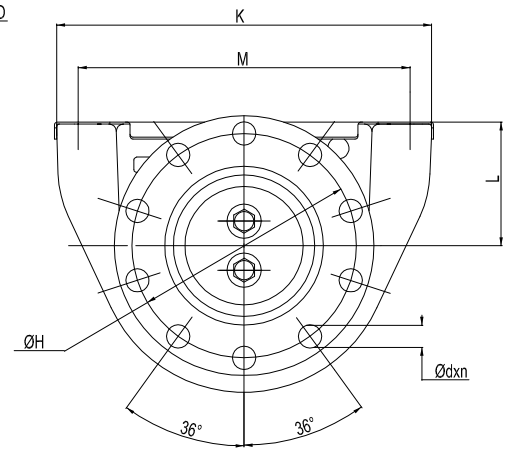
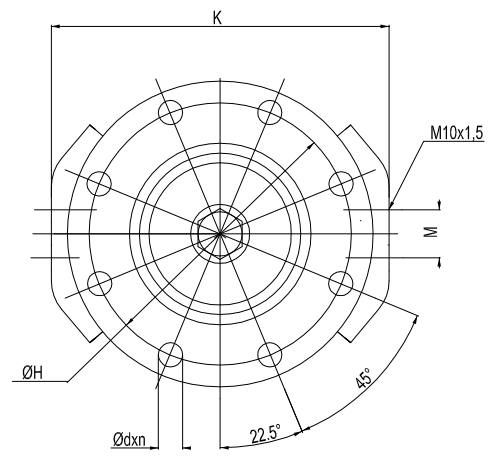
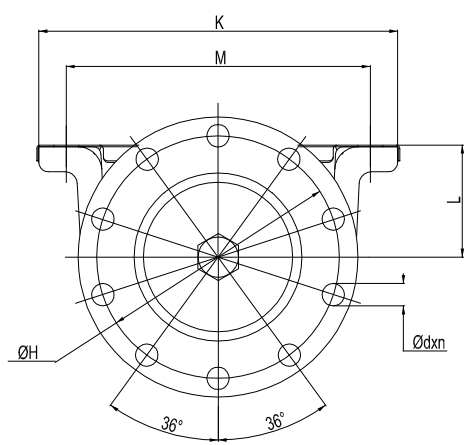
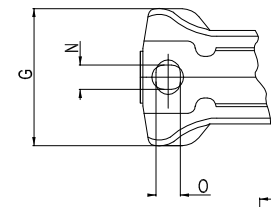
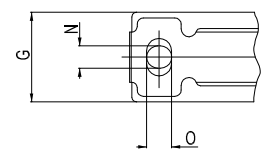
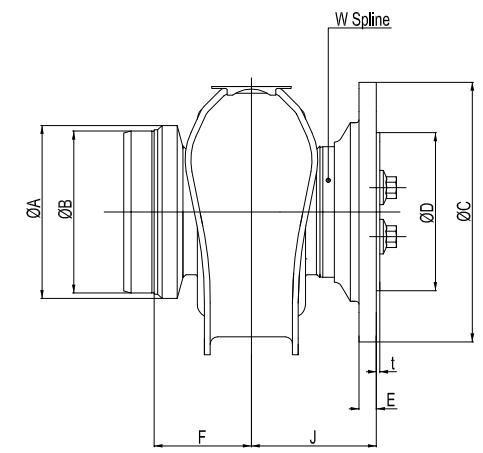
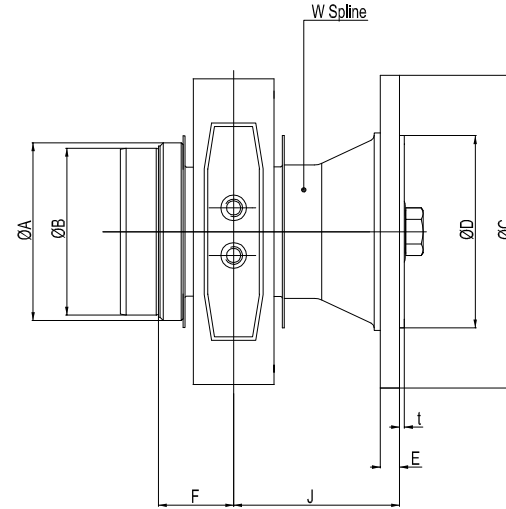
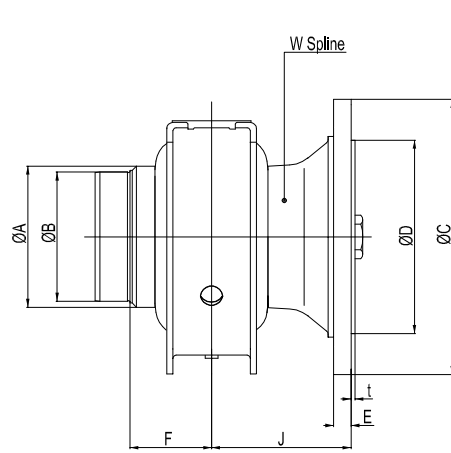
01410	MY.01410.05.02	43	109,25	14	30,175	85,5	Ø35x1x30°x34
-------	----------------	----	--------	----	--------	------	--------------



ÖLÇÜ VE RESİMLER BAĞLAYICI OLMAYIP, BİLDİRMEKSİZİN DEĞİŞTİRİLEBİLİR
DIMENSIONS AND ILLUSTRATIONS ARE SUBJECT TO CHANGE, AND WE RESERVE THE RIGHT TO INTRODUCE MODIFICATIONS WITHOUT PRIOR NOTICE



DIN BAĞLANTI KOMPLE ARA YATAK / DIN FITTING MIDSHIP ASSEMBLY



TİP / TYPE A

TİP / TYPE B

TİP / TYPE C



**DIN BAĞLANTI KOMPLE ARA YATAK
DIN FITTING MIDSHIP ASSEMBLY**

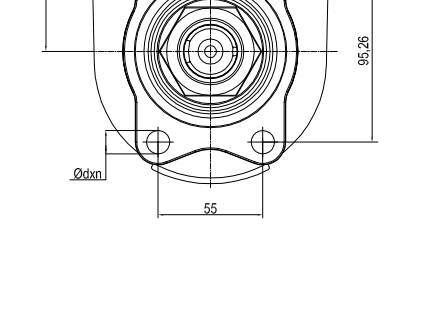
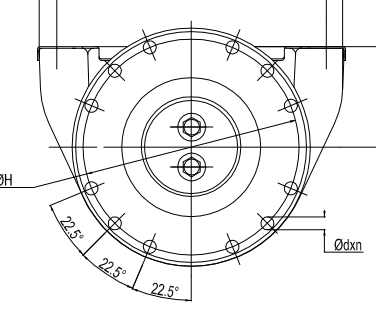
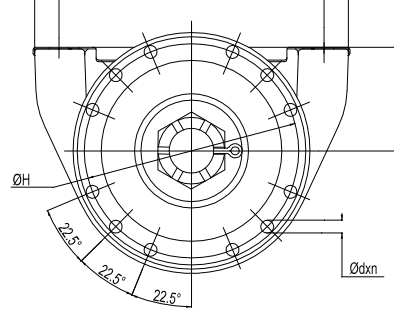
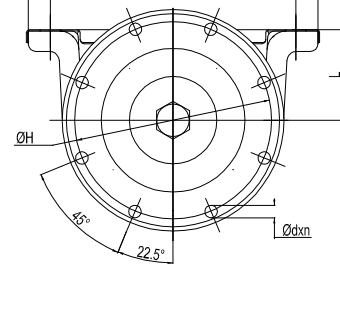
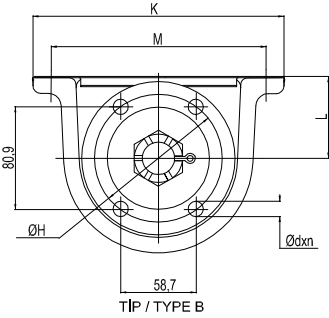
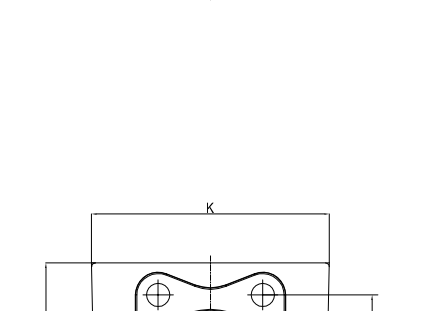
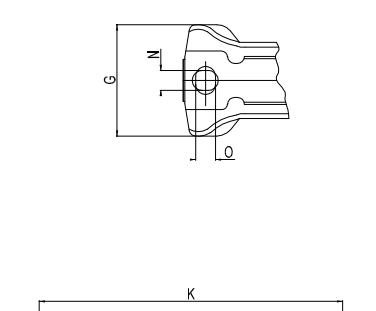
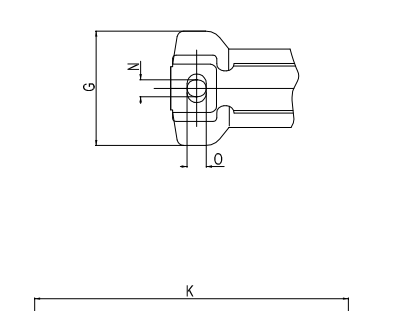
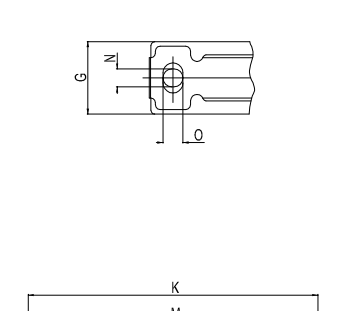
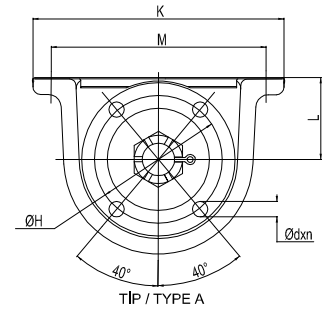
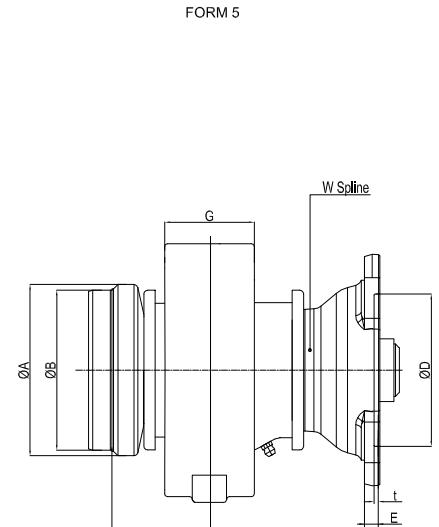
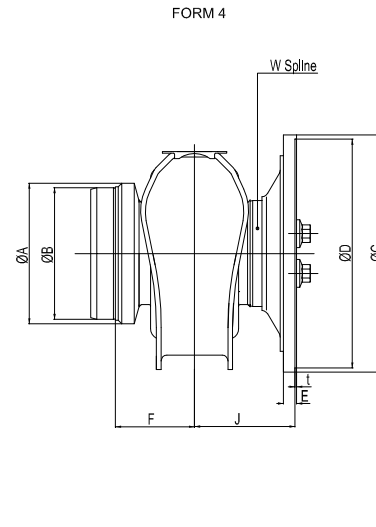
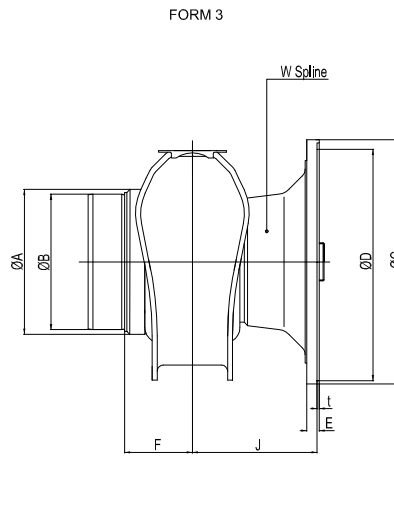
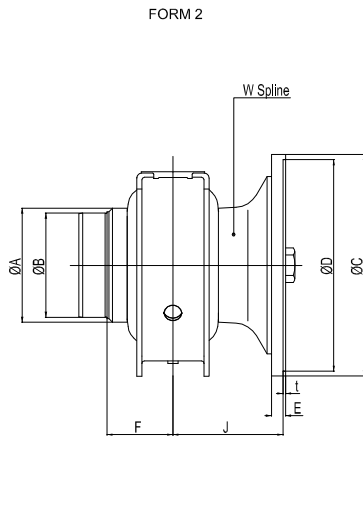
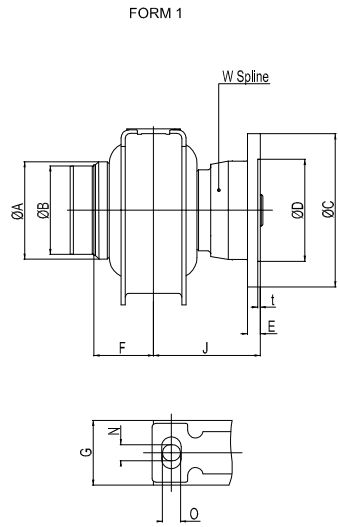
SERİ/SERIE	PARÇA/PART NO	TİP / TYPE	ØA	ØB	ØC	ØD	Ødxn	E	F	G	ØH	J	K	L	M	N	O	t	W	RULMAN/BEARING	BORU/TUBE
00389	MA.00389.02.02	B	100	92,3-0,13	180	110	14,1x8	12	43,5	33,3	155,5	94,5	190	-	27	-	-	2,3	Ø55x2,5x30°x20	Ø55x25	Ø100x4
58730	MA.58730.07.02	A	100	92,3-0,13	180	110	16,1x10	12	52	57,2	155,5	91	228,6	71,4	193,8	14,2	15,9	2,3	Ø55x2,5x30°x20	Ø55x18	Ø100x4
58735	MA.58735.04.02	C	120	112,3-0,13	180	110	16,1x10	12	67,5	96	155,5	85,7	260	85,7	230	17	17	2,3	Ø65x2x30°x31	Ø65x23	Ø120x4



ÖLÇÜ VE RESİMLER BAĞLAYICI OLMAYIP, BİLDİRMEKSİZİN DEĞİŞTİRİLEBİLİR
DIMENSIONS AND ILLUSTRATIONS ARE SUBJECT TO CHANGE, AND WE RESERVE THE RIGHT TO INTRODUCE MODIFICATIONS WITHOUT PRIOR NOTICE



SAE BAĞLANTI KOMPLE ARA YATAK / SAE FITTING MIDSHIP ASSEMBLY



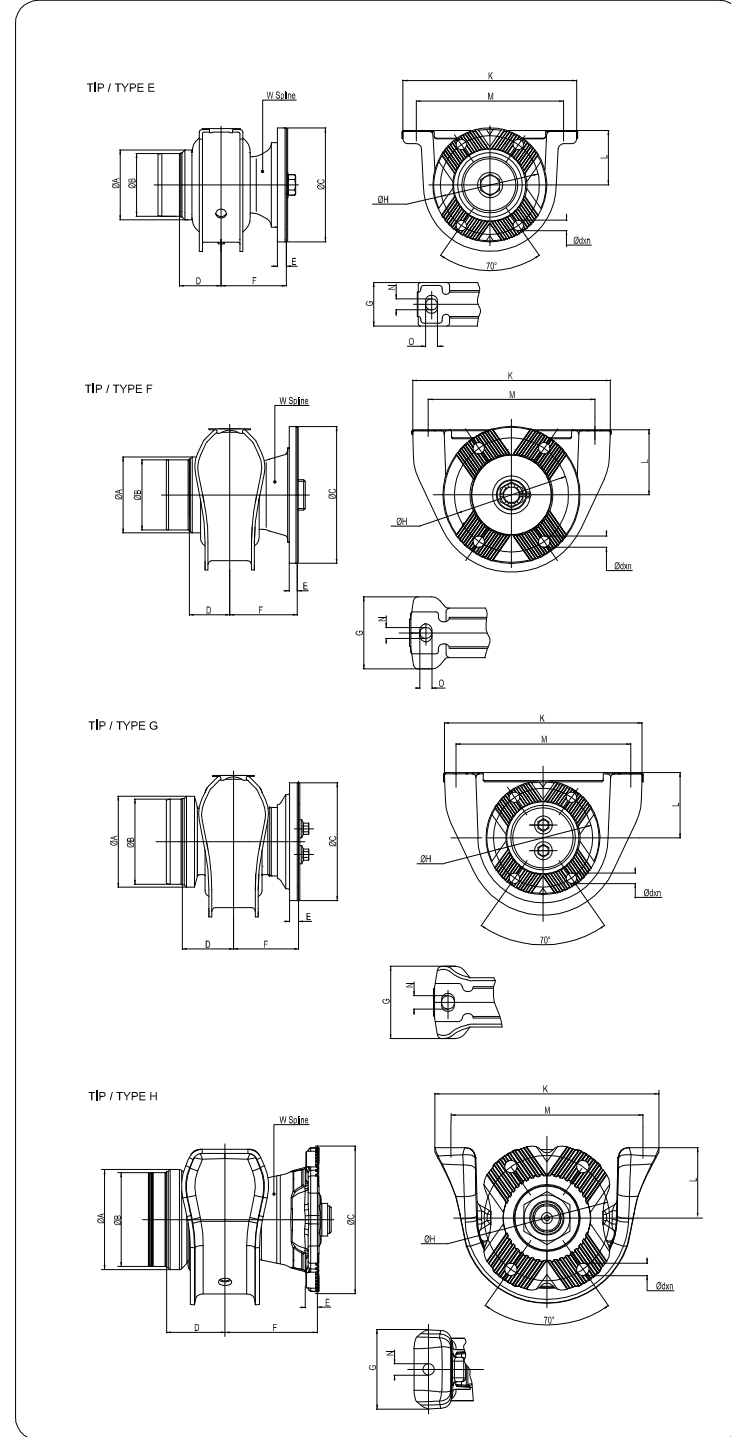
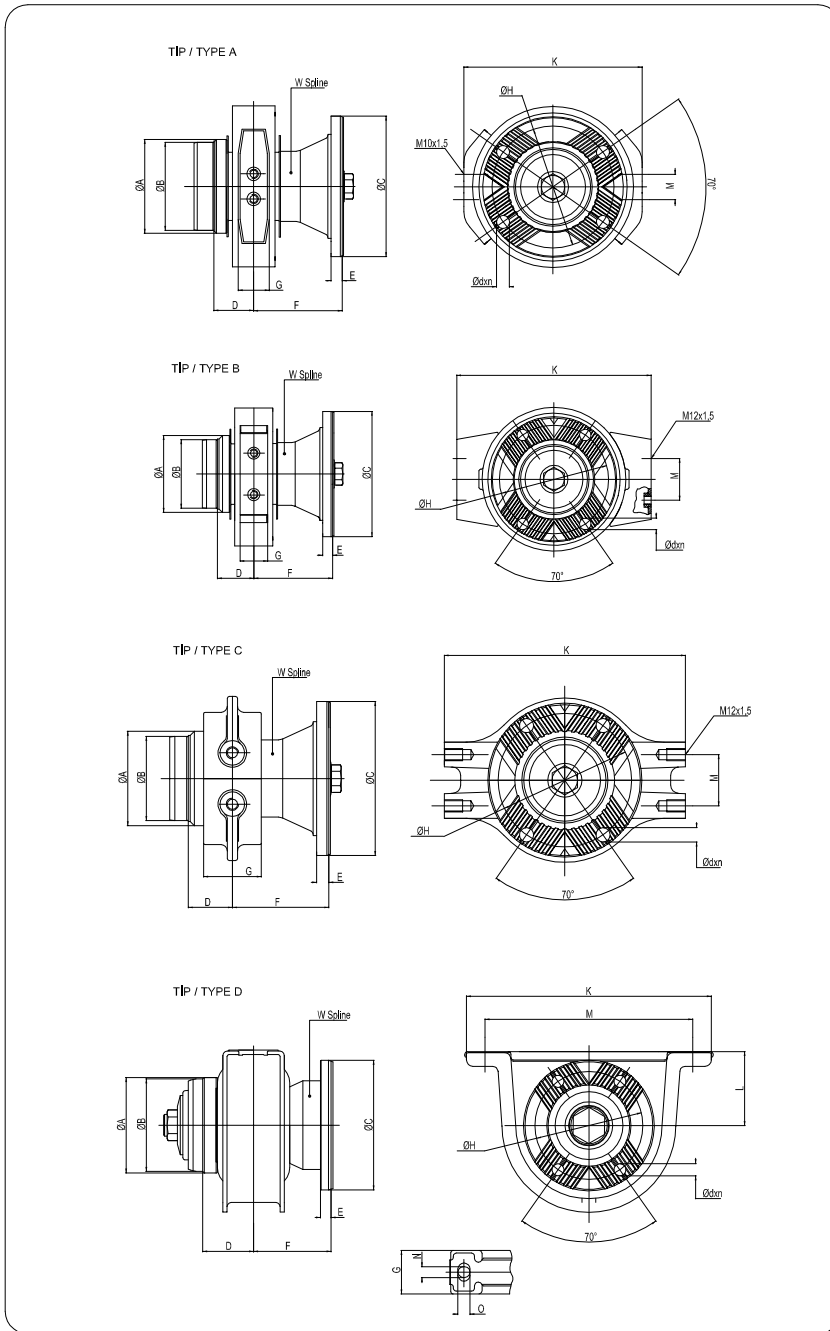
ÖLÇÜ VE RESİMLER BAĞLAYICI OLMAYIP, BİLDİRMEKSİZİN DEĞİŞTİRİLEBİLİR
DIMENSIONS AND ILLUSTRATIONS ARE SUBJECT TO CHANGE, AND WE RESERVE THE RIGHT TO INTRODUCE MODIFICATIONS WITHOUT PRIOR NOTICE



SAE BAĞLANTI KOMPLE ARA YATAK
SAE FITTING MIDSHIP ASSEMBLY

SERİ/SERIE	PARÇA/PART NO	FORM / TYPE	ØA	ØB	ØC	ØD	Ødxn	E	F	G	ØH	J	K	L	M	N	O	t	W	RULMAN/BEARING	BORU/TUBE
00385	MA.00385.08.02	2	92	82,3-0,13	175	168,2	9,8x8	11,1	52	57,2	155,5	87,5	228,6	71,4	193,8	14,3	15,9	1,5	Ø55x2,5x30°x20	Ø55x18	Ø92x5
68730	MA.68730.06.02	5	90	83,9-0,13	-	80	12,2x4	8	52,5	46,5	-	88,2	125	64,5	-	-	-	3	JIS Ø40x22x1,667	Ø40x18	Ø90x3,2
68755	MA.68755.09.02	4	120	112,3-0,13	203,2	196,8	11,1x12	11,2	67,5	96	184,15	99	260	85,7	230	17	17	1,5	Ø55x2,5x30°x20	Ø65x23	Ø120x4
01310	MA.01310.02.02	1A	63,5	60,7-0,13	97	60,3	9,8x4	7	44,6	44,5	79,37	73	196,85	57,9	168,4	12,7	12,7	2	SAE Ø34,9x10C	Ø35x25	Ø63,5x1,6
01410	MA.01410.03.02	1A	76,2	71,7-0,13	120	69,85	12,1x4	7,9	41,6	50,8	95,25	81,8	196,85	62,75	168,4	12,7	12,7	2	Ø40x2,5x30°x14	Ø40x27	Ø76,2x2,4
	MA.01410.04.02	1A	76,2	71,7-0,13	120	69,85	11,2x4	7,9	41,6	50,8	95,25	81,8	196,85	62,75	168,4	12,7	12,7	2	SAE Ø38,1x10C	Ø40x27	Ø76,2x2,4
	MA.01410.11.02	1B	76,2	71,7-0,13	120	80	10,2x4	10	41,6	50,8	100	83,4	196,85	62,75	168,4	12,7	12,7	2	SAE Ø38,1x10C	Ø40x27	Ø76,2x2,4
	MA.01410.01.02	1A	76,2	71,7-0,13	120	69,85	11,2x4	7,9	41,6	50,8	95,25	81,8	196,85	62,75	168,4	12,7	12,7	2	SAE Ø38,1x10C	Ø40x27	Ø76,2x2,4
01630	MA.01630.02.02	1A	88,9	84,4-0,13	146	95,25	14,2x4	9,5	50,5	57,2	120,65	85,7	228,6	69,1	193,8	12,7	14,3	3,3	SAE Ø44,45x10C	Ø45x19	Ø88,9x2,4
01800	MA.01800.01.02	3	110	98,3-0,13	203,2	196,9	11,1x12	11,2	53,3	96	184,15	103,6	260	85,7	219,5	14,3	15,9	1,5	SAE Ø57,1x10C	Ø60x22	Ø110x6





XS BAĞLANTI KOMPLE ARA YATAK
XS FITTING MIDSHIP ASSEMBLY

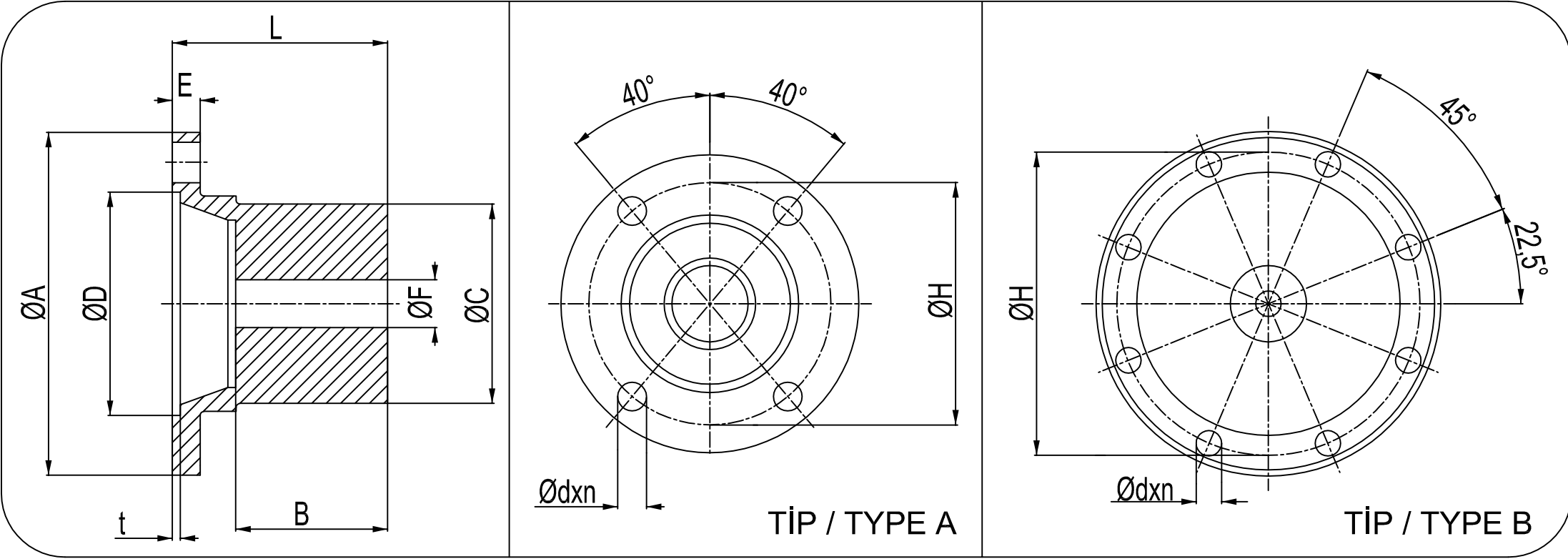
SERİ/SERIE	PARÇA/PART NO	TİP / TYPE	ØA	ØB	ØC	D	Ødxn	E	F	G	ØH	K	L	M	N	O	W	RULMAN/BEARING	BORU/TUBE
00385	MA.00385.02.02	C	92	82,3-0,13	150	43,5	13x4	12	94,5	54	130	235	-	50	-	-	Ø55x2,5x30°x20	Ø55x25	Ø92x5
	MA.00385.03.02	B	92	82,3-0,13	150	43,5	13x4	12	94,5	33,5	130	233	-	50	-	-	Ø55x2,5x30°x20	Ø55x25	Ø92x5
	MA.00385.06.02	E	92	82,3-0,13	154	52	13x4	12	87,5	57,2	130	228,6	71,4	193,8	14,2	15,9	Ø55x2,5x30°x20	Ø55x18	Ø92x5
	MA.00385.11.02	E	90	80,3-0,13	154	52	13x4	12	87,5	57,2	130	228,6	71,4	193,8	14,2	15,9	Ø55x2,5x30°x20	Ø55x18	Ø90x5
00389	MA.00389.01.02	A	100	92,3-0,13	150	43,5	13x4	12	94,5	33,3	130	190	-	27	-	-	Ø55x2,5x30°x20	Ø55x25	Ø100x4
58730	MA.58730.04.02	F	92	82,3-0,13	180	53,3	15x4	14	87,5	96	150	260	84,3	219,5	14,3	15,9	Ø60x2,5x30°x22	Ø60x22	Ø92x5
	MA.58730.05.02	F	110	98,3-0,13	180	53,3	15x4	14	87,5	96	150	260	84,3	219,5	14,3	15,9	Ø60x2,5x30°x22	Ø60x22	Ø110x6
58735	MA.58735.01.02	G	110	98,3-0,13	150	67,5	13x4	12	86,5	96	130	260	85,7	230	16,1	-	Ø65x2x30°x31	Ø65x23	Ø110x6
	MA.58735.02.02	G	120	114,3-0,13	150	67,5	13x4	12	86,5	96	130	260	85,7	230	16,1	-	Ø65x2x30°x31	Ø65x23	Ø120x3
	MA.58735.05.02	G	120	112,3-0,13	150	67,5	13x4	12	86,5	96	130	260	85,7	230	16,1	-	Ø65x2x30°x31	Ø65x23	Ø120x4
	MA.58735.07.02	G	120	108,3-0,13	150	67,5	13x4	12	86,5	96	130	260	85,7	230	16,1	-	Ø65x2x30°x31	Ø65x23	Ø120x6
	MA.58735.08.02	G	110	98,3-0,13	180	67,5	15x4	14	86,5	96	150	260	85,7	230	16,1	-	Ø65x2x30°x31	Ø65x23	Ø110x6
	MA.58735.09.02	G	120	114,3-0,13	180	67,5	15x4	14	86,5	96	150	260	85,7	230	16,1	-	Ø65x2x30°x31	Ø65x23	Ø120x3
68730	MA.68730.01.02	D	88,9	84,4-0,13	121	46,5	11x4	10,1	74	57,2	100	228,6	69,1	193,8	12,7	14,3	Z 41, 28/48 DP,PA 45°	Ø45x19	Ø88,9x2,4
68745	MA.68745.01.02	G	120	112,3-0,13	180	67,5	15x4	14	86,5	96	150	260	85,7	230	16,1	-	Ø65x2x30°x31	Ø65x23	Ø120x4
	MA.68745.02.02	D	120	112,3-0,13	180	50	15x4	14	14	80	150	228,6	71,4	193,8	14,2	15,9	Ø55x2,5x30°x20	Ø55x18	Ø120x4
	MA.68745.03.02	G	120	108,3-0,13	180	67,5	15x4	14	86,5	96	150	260	85,7	230	16,1	-	Ø65x2x30°x31	Ø65x23	Ø120x6
68755	MA.68755.06.02	G	120	108-0,13	180	67,5	15x4	14	86,5	96	150	260	85,7	230	16,1	-	Ø65x2x30°x31	Ø65x23	Ø120x6
	MA.68755.08.02	H	110	98,3-0,13	180	55	15x4	14	94,5	60	150	260	84,3	220	13	-	Ø60x2,5x30°x22	Ø60x36	Ø110x6
	MA.68755.11.02	H	120	108,3-0,13	180	55	15x4	14	94,5	60	150	260	84,3	220	13	-	Ø60x2,5x30°x22	Ø60x36	Ø120x6
	MA.68755.12.02	H	120	108,3-0,13	180	70	15x4	14	110,5	104,3	150	268	84	230	16,1	-	Ø65x2x30°x31	Ø65x36	Ø120x6
68760	MA.68760.01.02	G	130	118,3-0,13	180	75	15x4	14	107	96	150	260	85,7	220	16,1	-	Ø65x2x30°x31	Ø65x23	Ø130x6
	MA.68760.02.02	H	130	118,3-0,13	180	56	15x4	14	94,5	60	150	260	84,3	220	13	-	Ø65x2x30°x31	Ø65x36	Ø130x6
	MA.68760.03.02	H	130	118,3-0,13	180	70	15x4	14	110,5	104,3	150	268	84	230	15,1	-	Ø65x2x30°x31	Ø65x36	Ø130x6
68765	MA.68765.01.02	G	140	130,3-0,13	180	72	15x4	14	107	96	150	260	85,7	220	15	-	Ø65x2x30°x31	Ø65x23	Ø140x5
	MA.68765.02.02	H	140	130,3-0,13	180	71	15x4	14	94,5	60	150	260	84,3	220	13	-	Ø60x2,5x30°x22	Ø60x36	Ø140x5
	MA.68765.03.02	H	120	108,3-0,13	180	56	15x4	14	97	60	150	260	84,3	220	13	-	Ø65x2x30°x31	Ø65x36	Ø120x6
	MA.68765.04.02	H	140	130,3-0,13	180	42	15x4	14	97	60	150	260	84,3	220	13	-	Ø65x2x30°x31	Ø65x36	Ø140x5
	MA.68765.05.02	H	140	130,3-0,13	180	52	15x4	14	110,5	104,3	150	268	84	230	15,1	-	Ø65x2x30°x31	Ø65x36	Ø140x5



ÖLÇÜ VE RESİMLER BAĞLAYICI OLMAYIP, BİLDİRMEKSİZİN DEĞİŞTİRİLEBİLİR
DIMENSIONS AND ILLUSTRATIONS ARE SUBJECT TO CHANGE, AND WE RESERVE THE RIGHT TO INTRODUCE MODIFICATIONS WITHOUT PRIOR NOTICE



PILOT BORE FLANŞ PILOT BORE FLANGE



ÖLÇÜ VE RESİMLER BAĞLAYICI OLMAYIP, BİLDİRMEKSİZİN DEĞİŞTİRİLEBİLİR
DIMENSIONS AND ILLUSTRATIONS ARE SUBJECT TO CHANGE, AND WE RESERVE THE RIGHT TO INTRODUCE MODIFICATIONS WITHOUT PRIOR NOTICE



PILOT BORE FLANŞI
PILOT BORE FLANGE

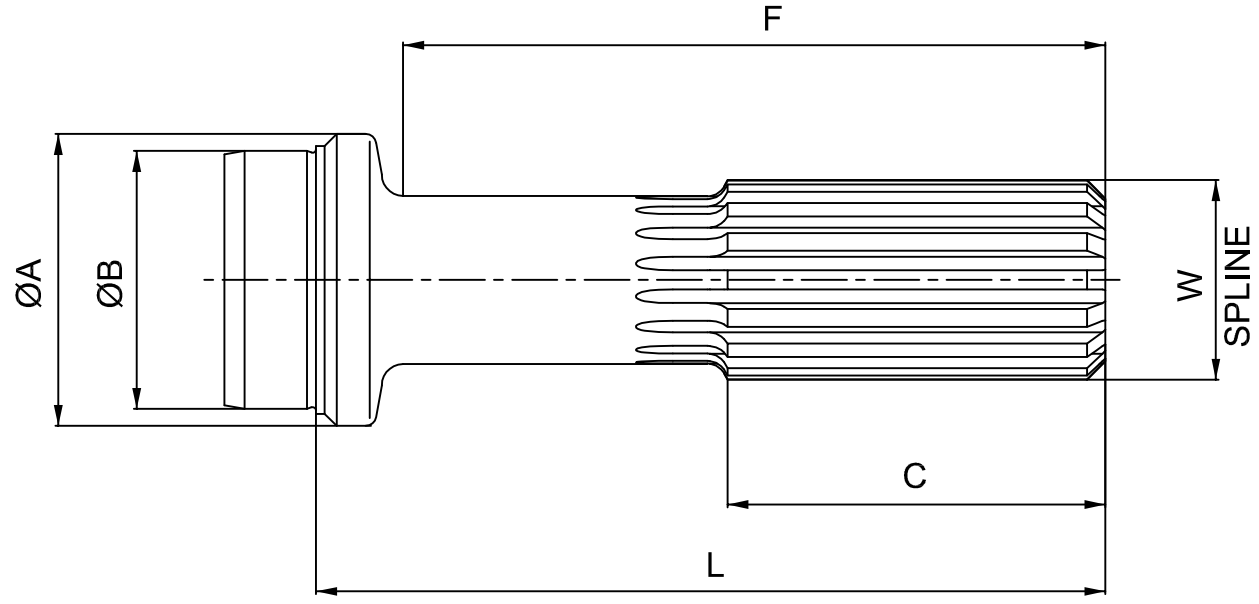
SERİ/SERIE	PARÇA/PART NO.	TİP/TYPE	ØA	BAĞLANTI/CONNECTION	B	ØC	ØD	E	ØF	ØH	Ødxn	t	L	DÖVME/FORGING
01140	CF.01140.11.02	A	87,3	SAE 87,3	38,1	50,8	57,1	7,6	12,7	69,85	8,1x4	2	54	DÖVME/FORGING
01310	CF.01310.11.02	A	96,8	SAE 96,8	38,1	50,8	60,3	7	12,7	79,37	9,6x4	2	61,9	DÖVME/FORGING
01410	CF.01410.08.02	A	120	DIN 120	53,9	60,3	69,8	7,9	19	95,25	11,2x4	2	68,3	DÖVME/FORGING
	CF.01410.11.02	A	120	DIN 120	50,8	57,1	69,8	7,9	19	95,25	11,2x4	2	65,1	DÖVME/FORGING
	CF.01410.19.02	A	120	DIN 120	50,8	57,1	69,8	7,9	19	95,25	12,1x4	2	65,1	DÖVME/FORGING
01510	CF.01510.11.02	A	146	SAE 146	63,5	100	95,3	11	19	120,66	12,8x4	3,5	82,5	BAR
01600	CF.01600.15.02	B	174,5	SAE 174,6	76,5	86	168,3	11,2	25,4	155,5	9,8x8	1,5	94	DÖVME/FORGING



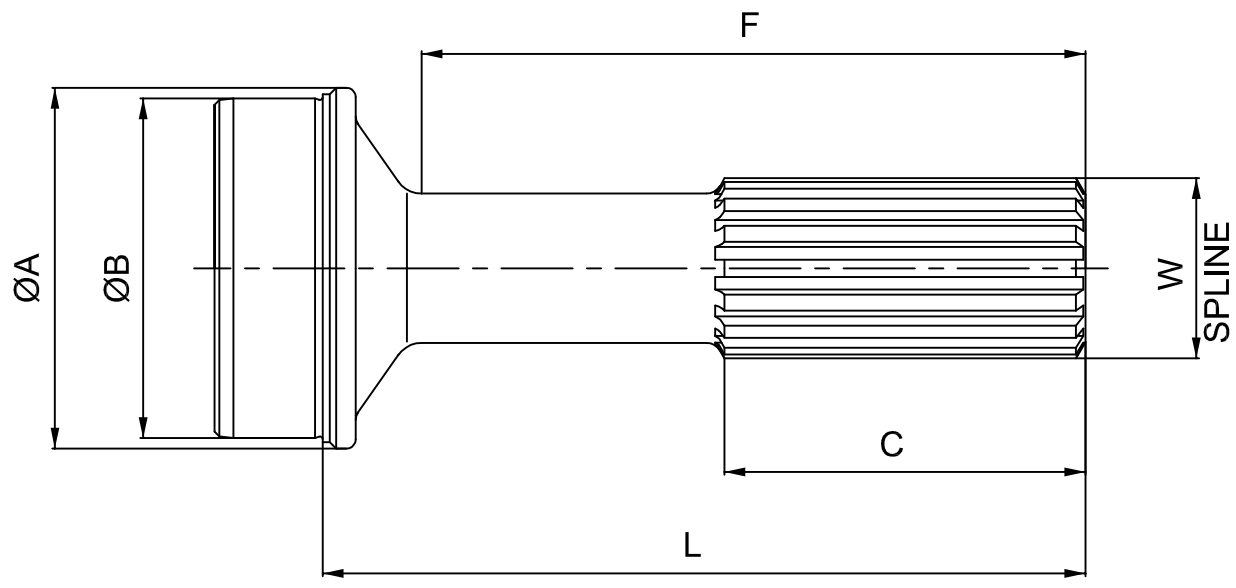
ÖLÇÜ VE RESİMLER BAĞLAYICI OLMAYIP, BİLDİRMEKSİZİN DEĞİŞTİRİLEBİLİR
DIMENSIONS AND ILLUSTRATIONS ARE SUBJECT TO CHANGE, AND WE RESERVE THE RIGHT TO INTRODUCE MODIFICATIONS WITHOUT PRIOR NOTICE



KAYICI MİL / SLIP STUB



TİP / TYPE A



TİP / TYPE B



KAYICI MİL SLIP STUB

SERİ/SERIE	PARÇA/PART NO	TİP / TYPE	ØA	ØB	C	F	L	W	BORU/TUBE
68730	SS.68730.01.02	A	90	83.9	122	180	210	JIS Ø40x22x1,667	Ø90x,3,2

01140	SS.01140.01.02	B	50,8	47,9	44	92,6	104	SAE Ø26,9x16C	Ø50,8x1,6
	SS.01140.02.02	B	63,5	60,68	44,5	92,6	104	SAE Ø26,9x16C	Ø63,5x1,6
	SS.01140.03.02	A	69,85	66,9	79,5	120,4	147	SAE Ø26,9x16C	Ø69,85x1,6
	SS.01140.04.02	B	44,5	39,82	44	94	104	SAE Ø26,9x16C	Ø44,5x2,4
	SS.01140.06.02	A	69,85	66,9	45	120,4	146	SAE Ø26,9x16C	Ø69,85x1,6
	SS.01140.07.02	B	50,8	46,3	44	92,6	104	SAE Ø26,9x16C	Ø50,8x2,4
	SS.01140.08.02	A	60	55,2	48	95	110	SAE Ø26,9x16C	Ø60x2,5
	SS.01140.17.02	B	50,8	46,3	40,5	89,1	100,5	SAE Ø26,9x16C	Ø50,8x2,4
	SS.01140.18.02	B	50,8	47,9	40,5	89,1	100,5	SAE Ø26,9x16C	Ø50,8x1,6
SS.01140.22.02	A	69,85	66,9	79,5	120,4	147	SAE Ø26,9x16C	Ø69,85x1,6	

01300	SS.01300.01.02	B	76,2	73,3	68	135	155	SAE Ø38,1x16C	Ø76,2x1,6
	SS.01300.06.02	A	60	55,2	62,5	116,5	132,5	SAE Ø34,9x16C	Ø60x2,5

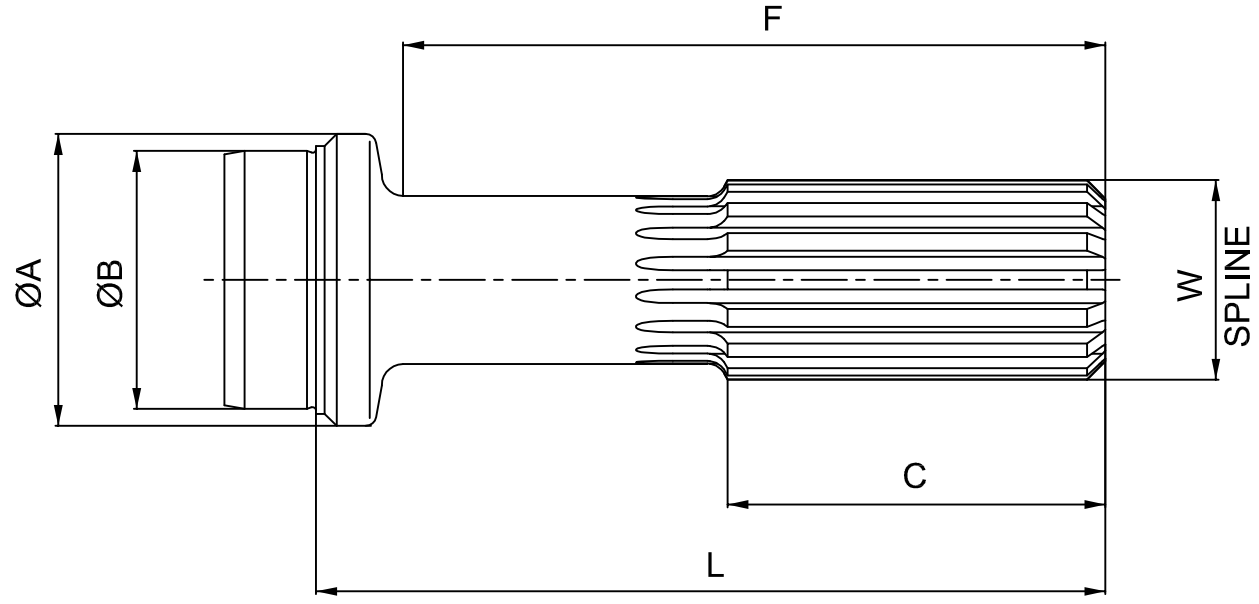
01310	SS.01310.01.02	B	50,8	46,3	57,15	116	128,6	SAE Ø34,9x16C	Ø50,8x2,4
	SS.01310.02.02	B	70	66,3	60	113	131,5	SAE Ø34,9x16C	Ø70x2
	SS.01310.03.02	A	50,8	46,3	57,15	174,2	192	SAE Ø34,9x16C	Ø50,8x2,4
	SS.01310.04.02	B	63,5	60,6	57,15	116	128,6	SAE Ø34,9x16C	Ø63,5x1,6
	SS.01310.09.02	B	63,5	60,6	55	130,5	146	SAE Ø34,9x16C	Ø63,5x1,6
	SS.01310.13.02	B	76,2	73,3	57,15	114	131,5	SAE Ø34,9x16C	Ø76,2x1,6
	SS.01310.14.02	B	76,2	73,3	57,15	114	131,5	SAE Ø34,9x16C	Ø76,2x1,6



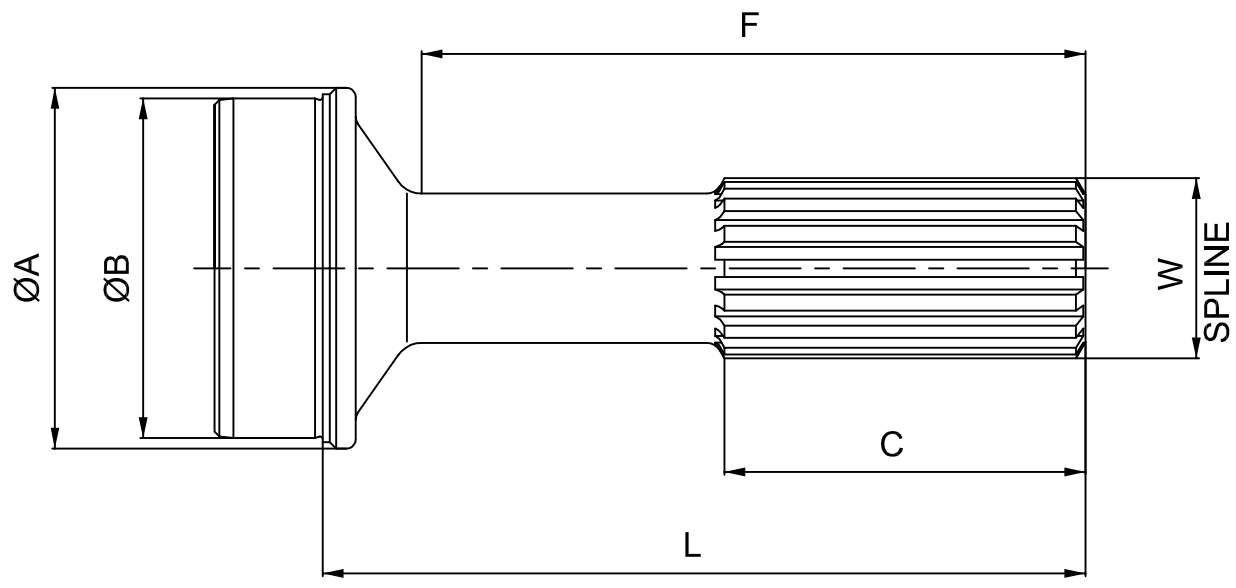
ÖLÇÜ VE RESİMLER BAĞLAYICI OLMAYIP, BİLDİRMEKSİZİN DEĞİŞTİRİLEBİLİR
DIMENSIONS AND ILLUSTRATIONS ARE SUBJECT TO CHANGE, AND WE RESERVE THE RIGHT TO INTRODUCE MODIFICATIONS WITHOUT PRIOR NOTICE



KAYICI MİL / SLIP STUB



TİP / TYPE A



TİP / TYPE B

KAYICI MİL SLIP STUB

SERİ/SERIE	PARÇA/PART NO	TİP / TYPE	ØA	ØB	C	F	L	W	BORU/TUBE
01310	SS.01310.16.02	B	63,5	58,9	57,15	114	128,6	SAE Ø34,9x16C	Ø63,5x2,4
	SS.01310.20.02	A	63,5	60,6	57,2	174	192	SAE Ø34,9x16C	Ø63,5x1,6
	SS.01310.23.02	B	50,8	46,3	54	111	125,6	SAE Ø34,9x16C	Ø50,8x2,4
	SS.01310.26.02	B	63,5	60,6	54	113	125,6	SAE Ø34,9x16C	Ø63,5x1,6
	SS.01310.32.02	B	50,8	46,3	51	114	128,6	SAE Ø34,9x16C	Ø50,8x2,4
	SS.01310.35.02	A	50,8	46,3	57,15	178	192	SAE Ø34,9x16C	Ø50,8x2,4
	SS.01310.40.02	B	76,2	71,7	57,15	114	131,5	SAE Ø34,9x16C	Ø76,2x2,4

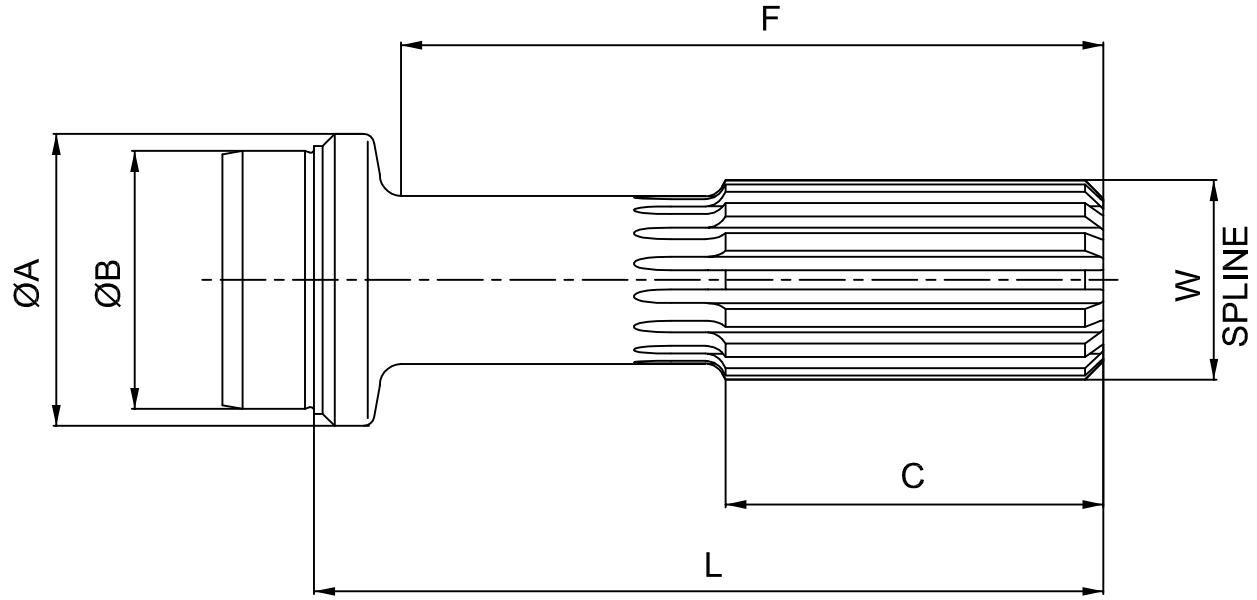
01410	SS.01410.02.02	A	88,9	84,4	76,2	140,1	153,2	SAE Ø38,1x16C	Ø88,9x2,4
	SS.01410.03.02	A	76,2	71,7	76	164	187	SAE Ø38,1x16C	Ø76,2x2,4
	SS.01410.04.02	A	50,8	45,56	76	163,7	177	SAE Ø38,1x16C	Ø50,8x2,77
	SS.01410.06.02	B	76,2	71,7	76,2	140	161	SAE Ø38,1x16C	Ø76,2x2,4
	SS.01410.08.02	B	88,9	84,4	76,2	138,2	161	SAE Ø38,1x16C	Ø88,9x2,4
	SS.01410.11.02	A	90	83,2	74	138	157	SAE Ø38,1x16C	Ø90x3,5
	SS.01410.14.02	A	63,5	59	76,2	163,7	177	SAE Ø38,1x16C	Ø63,5x2,4
	SS.01410.15.02	A	63,5	59	76,2	140,1	153,2	SAE Ø38,1x16C	Ø63,5x2,4
	SS.01410.17.02	B	74,5	70,3	76,2	143,9	161	SAE Ø38,1x16C	Ø74,5x2,25
	SS.01410.18.02	A	76,2	71,7	76	165	187	SAE Ø38,1x16C	Ø76,2x2,4
	SS.01410.19.02	A	76,2	71,7	85	165	187	SAE Ø38,1x16C	Ø76,2x2,4
	SS.01410.30.02	B	88,9	84,4	76,2	143,5	161	SAE Ø38,1x16C	Ø88,9x2,4
	SS.01410.31.02	B	88,9	84,4	60	143,2	161	SAE Ø38,1x16C	Ø88,9x2,4



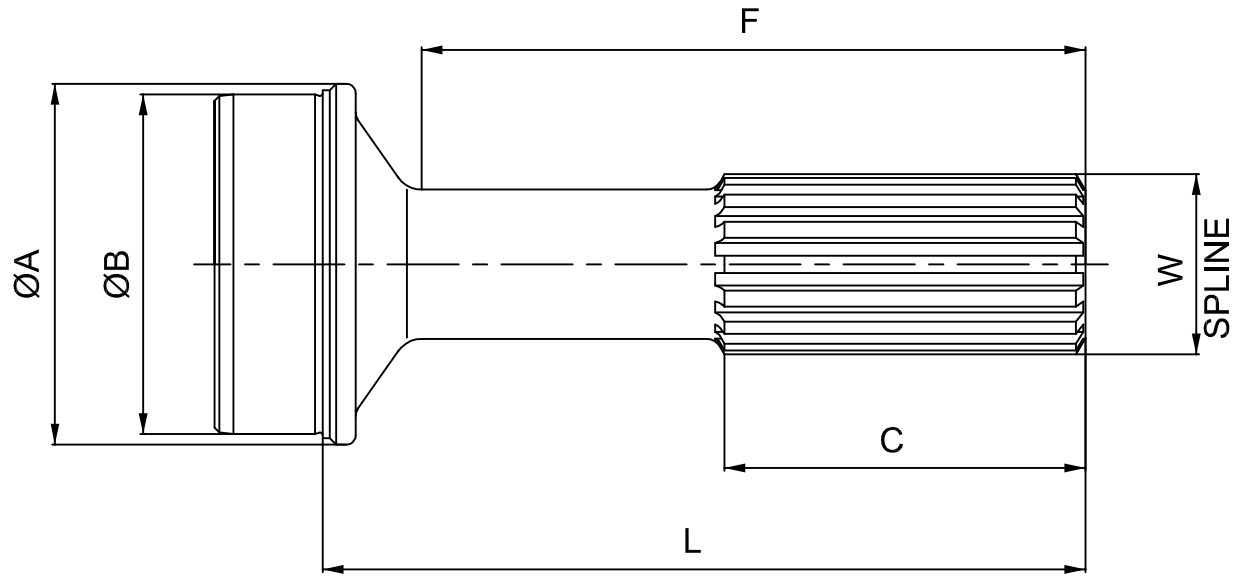
ÖLÇÜ VE RESİMLER BAĞLAYICI OLMAYIP, BİLDİRMEKSİZİN DEĞİŞTİRİLEBİLİR
DIMENSIONS AND ILLUSTRATIONS ARE SUBJECT TO CHANGE, AND WE RESERVE THE RIGHT TO INTRODUCE MODIFICATIONS WITHOUT PRIOR NOTICE



KAYICI MİL / SLIP STUB



TİP / TYPE A



TİP / TYPE B

KAYICI MİL SLIP STUB

SERİ/SERIE	PARÇA/PART NO	TİP / TYPE	ØA	ØB	C	F	L	W	BORU/TUBE
01480	SS.01480.01.02	B	76,2	71,7	65	143	163	SAE Ø44,45x16C	Ø76,2x2,4
	SS.01480.04.02	B	88,9	84,4	65	141	170,7	SAE Ø44,45x16C	Ø88,9x2,4

01510	SS.01510.01.02	B	88,9	84,4	76,2	142	170,7	SAE Ø44,45x16C	Ø88,9x2,4
	SS.01510.02.02	B	76,2	71,7	76,2	143	163	SAE Ø44,45x16C	Ø76,2x2,4
	SS.01510.10.02	B	90	82,3	76,2	142	170,7	SAE Ø44,45x16C	Ø90,x4
	SS.01510.12.02	B	90	85,3	76,2	142	170,7	SAE Ø44,45x16C	Ø90x2,5
	SS.01510.13.02	B	76,2	71,7	76,2	143	163	SAE Ø44,45x16C	Ø76,2x2,4

01610	SS.01610.01.02	B	90	82,3	98	212	235,7	SAE Ø50,8x16C	Ø90x4
-------	----------------	---	----	------	----	-----	-------	---------------	-------

01630	SS.01630.01.02	B	90	82,3	98	212	235,7	SAE Ø50,8x16C	Ø90x4
-------	----------------	---	----	------	----	-----	-------	---------------	-------

01800	SS.01800.04.02	A	110	98,3	120,5	265,5	290,5	SAE Ø76,2x16C	Ø110x6
	SS.01800.12.02	A	110	98,3	137	271	297,5	Ø75,8x28C	Ø110x6
	SS.01800.13.02	A	110	100,3	127	271	297,5	Ø75,8x28C	Ø110x5
	SS.01800.14.02	A	110	98,3	127	280	297,5	Ø75,8x28C	Ø110x6

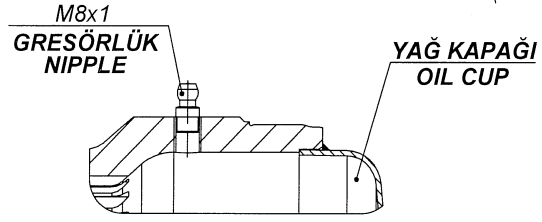


ÖLÇÜ VE RESİMLER BAĞLAYICI OLMAYIP, BİLDİRMEKSİZİN DEĞİŞTİRİLEBİLİR
DIMENSIONS AND ILLUSTRATIONS ARE SUBJECT TO CHANGE, AND WE RESERVE THE RIGHT TO INTRODUCE MODIFICATIONS WITHOUT PRIOR NOTICE



DIN - COMPACT TİP KOMPLE KAYICI TAKIM

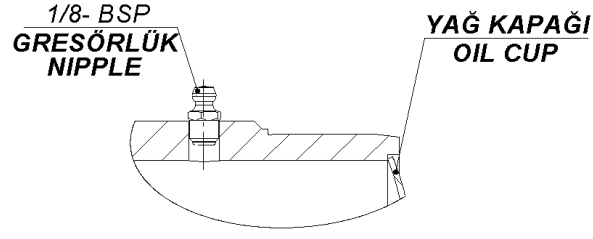
DIN - COMPACT TYPE SPLINED ASSEMBLY



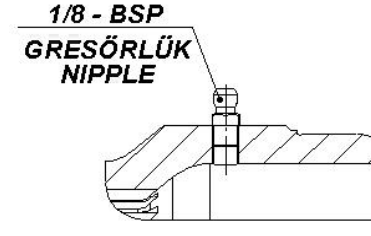
TİP / TYPE - A



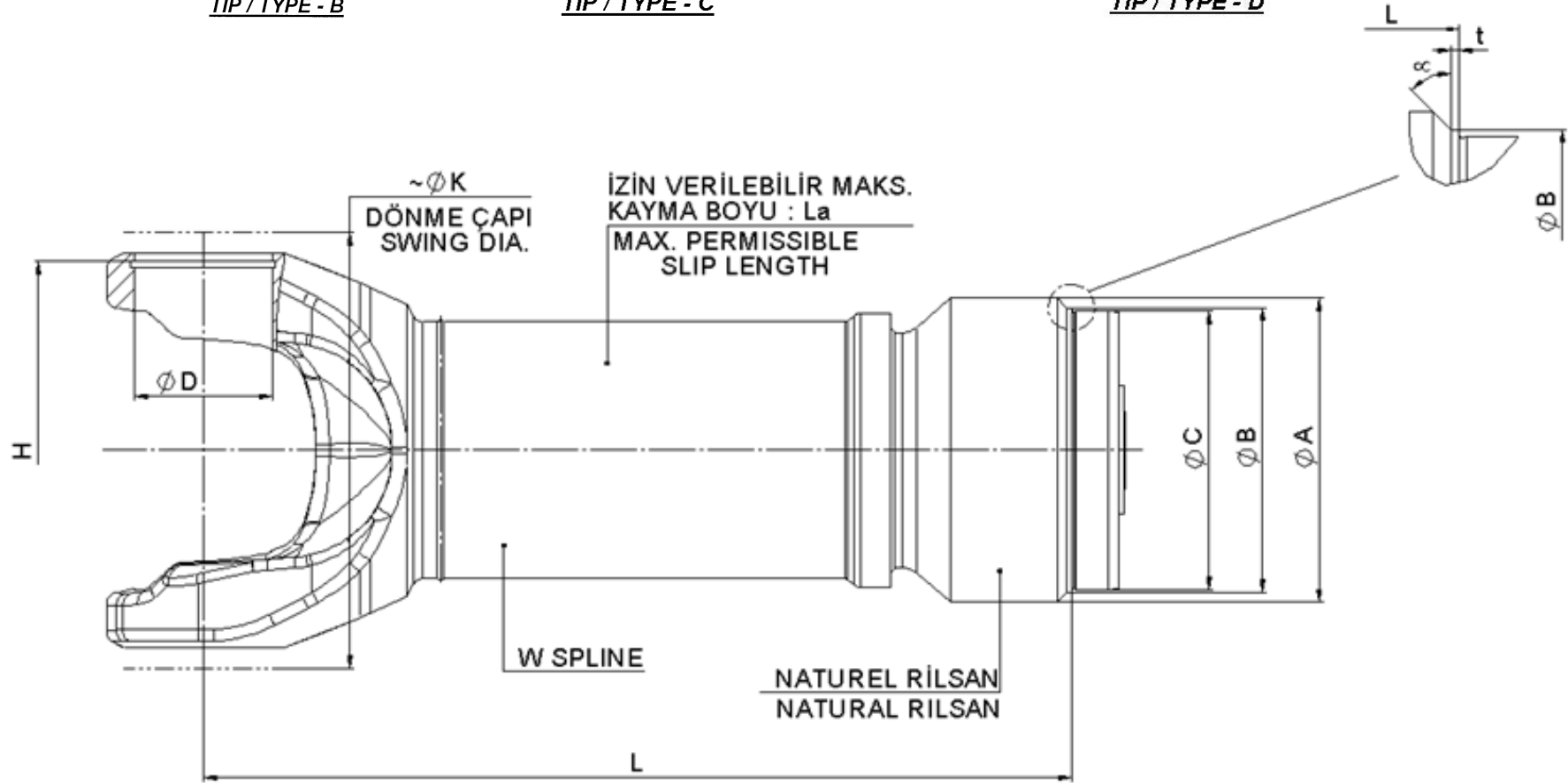
TİP / TYPE - B



TİP / TYPE - C



TİP / TYPE - D



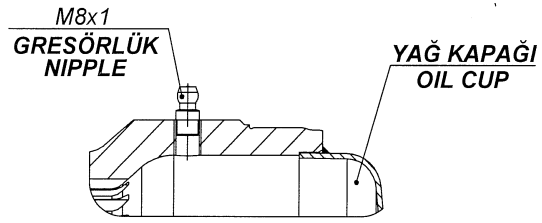
DIN - COMPACT TİP KOMPLE KAYICI TAKIM
DIN - COMPACT TYPE SPLINED ASSEMBLY

SERİ/SERIE	PARÇA/PART NO	TİP/TYPE	ØA	ØB	ØC	ØD	H	ØK	L	La	t	α	W	MAFSAL AÇISI/JOINT ANGLE	BORU/TUBE	İSTAVROZ/U.JOINT
48161	SA.48161.01.02	B	100	91	88,3-0,13	48+0,025	164,456-0,063	~180	~342,5	160	2,5	30°	Ø72x2,5x30°x27	24°	Ø100x6	Ø48x161
	SA.48161.02.02	B	100	93	90,3-0,13	48+0,025	164,456-0,063	~180	~342,5	160	2,5	30°	Ø72x2,5x30°x27	24°	Ø100x5	Ø48x161
	SA.48161.03.02	A	100	91	88,3-0,13	48+0,025	164,456-0,063	~180	~342,5	160	2,5	30°	Ø72x2,5x30°x27	24°	Ø100x6	Ø48x161
	SA.48161.04.02	A	100	93	90,3-0,13	48+0,025	164,456-0,063	~180	~342,5	160	2,5	30°	Ø72x2,5x30°x27	24°	Ø100x5	Ø48x161
57164	SA.57164.01.02	B	110	101	98,3-0,13	57+0,03	167,956-0,063	~190	~375,5	160	2,5	30°	Ø80x2,5x30°x30	20°	Ø110x6	Ø57x164
	SA.57164.02.02	B	108	100	97,3-0,13	57+0,03	167,956-0,063	~190	~375,5	160	2,5	30°	Ø80x2,5x30°x30	20°	Ø108x5,5	Ø57x164
	SA.57164.03.02	A	110	101	98,3-0,13	57+0,03	167,956-0,063	~190	~375,5	160	2,5	30°	Ø80x2,5x30°x30	20°	Ø110x6	Ø57x164
	SA.57164.04.02	A	108	100	97,3-0,13	57+0,03	167,956-0,063	~190	~375,5	160	2,5	30°	Ø80x2,5x30°x30	20°	Ø108x5,5	Ø57x164
00385	SA.00385.03.02	C	92	84	82+0,071/+0,125	48+0,025	129,476-0,06	148	~327	110	2	30°	Ø65x2,5x30°x24	25°	Ø92x5	Ø48x126
00389	SA.00389.02.02	C	89,2	85	82,3-0,13	53+0,03	138,976-0,06	158	~328	110	1,5	45°	Ø65x2,5x30°x24	35°	Ø92x5	Ø53x135
	SA.00389.04.02	C	100	95	92,3-0,13	53+0,03	138,976-0,06	159	~373	160	2	30°	Ø72x2,5x30°x27	36°	Ø100x4	Ø53x135
	SA.00389.05.02	D	100	92	90+0,071/+0,125	53+0,03	138,976-0,06	159	~373	160	2	30°	Ø72x2,5x30°x27	36°	Ø100x5	Ø53x135
	SA.00389.06.02	D	100	91,3	88,3-0,13	53+0,03	138,976-0,06	159	~373	160	2	30°	Ø72x2,5x30°x27	36°	Ø100x6	Ø53x135
	SA.00389.07.02	A	100	90	88+0,071/+0,125	53+0,03	138,976-0,06	159	~373	160	2	30°	Ø72x2,5x30°x27	36°	Ø100x6	Ø53x135
	SA.00389.16.02	A	100	92	90+0,071/+0,125	53+0,03	138,976-0,06	159	~373	160	2	30°	Ø72x2,5x30°x27	36°	Ø100x5	Ø53x135
58710	SA.58710.03.02	B	70	66	64,1+0,1	35+0,025	99,696-0,05	118	~280	150	1,5	25°	Ø45x1,5x30°x28	25°	Ø70x3	Ø35x96,8
58730	SA.58730.01.02	C	89,2	85	82,3-0,13	52+0,03	136,976-0,06	158	~328	110	1,5	45°	Ø65x2,5x30°x24	35°	Ø92x5	Ø52x133
	SA.58730.11.02	A	100	92	90+0,071/+0,125	52+0,03	136,976-0,06	158	~373	160	2	30°	Ø72x2,5x30°x27	25°	Ø100x5	Ø52x133
	SA.58730.50.02	C	89,2	82	79,3-0,13	52+0,03	136,976-0,06	158	~328	110	1,5	45°	Ø65x2,5x30°x24	35°	Ø92x6,5	Ø52x133
58735	SA.58735.01.02	C	105	101,3	98,3-0,13	57+0,03	147,976-0,06	174	~338	110	1,5	45°	Ø75x2,5x30°x28	35°	Ø110x6	Ø57x144
	SA.58735.02.02	C	100	91,3	88,3-0,13	57+0,03	147,976-0,06	174	~338	110	1,5	45°	Ø75x2,5x30°x28	35°	Ø100x6	Ø57x144
	SA.58735.07.02	C	100	92	90,3-0,13	57+0,03	147,976-0,06	174	~338	110	1,5	45°	Ø75x2,5x30°x28	35°	Ø100x5	Ø57x144
58742	SA.58742.01.02	A	110	101,3	98,3-0,13	57+0,03	156,176-0,06	178	~394	180	1,5	45°	Ø80x2,5x30°x30	25°	Ø110x6	Ø57x152
	SA.58742.05.02	A	120	111,3	108,3-0,13	57+0,03	156,176-0,06	178	~394	180	1,5	45°	Ø80x2,5x30°x30	25°	Ø120x6	Ø57x152
68715	SA.68715.03.02	B	52	47	45,3-0,13	27-0,018	77,57-0,05	91	~162	60	1,5	45°	Ø36x1,5x30°x22	35°	Ø52x3,5	Ø27x74,5
	SA.68715.04.02	B	63,5	60,7	59-0,13	27-0,018	77,57-0,05	91	~167	60	1,5	45°	Ø36x1,5x30°x22	35°	Ø63,5x2,4	Ø27x74,5
	SA.68715.05.02	B	63,5	60,7	59-0,13	27-0,018	77,57-0,05	91	~228	130	1,5	45°	Ø36x1,5x30°x22	25°	Ø63,5x2,4	Ø27x74,5

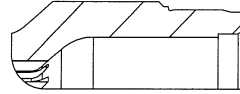


DIN - COMPACT TİP KOMPLE KAYICI TAKIM

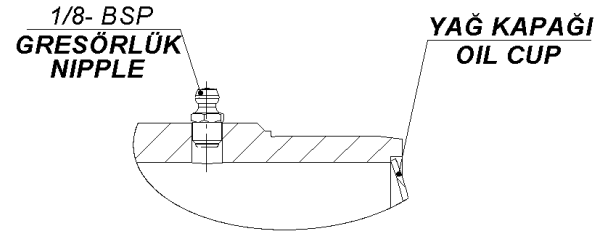
DIN - COMPACT TYPE SPLINED ASSEMBLY



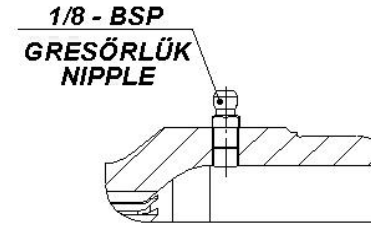
TİP / TYPE - A



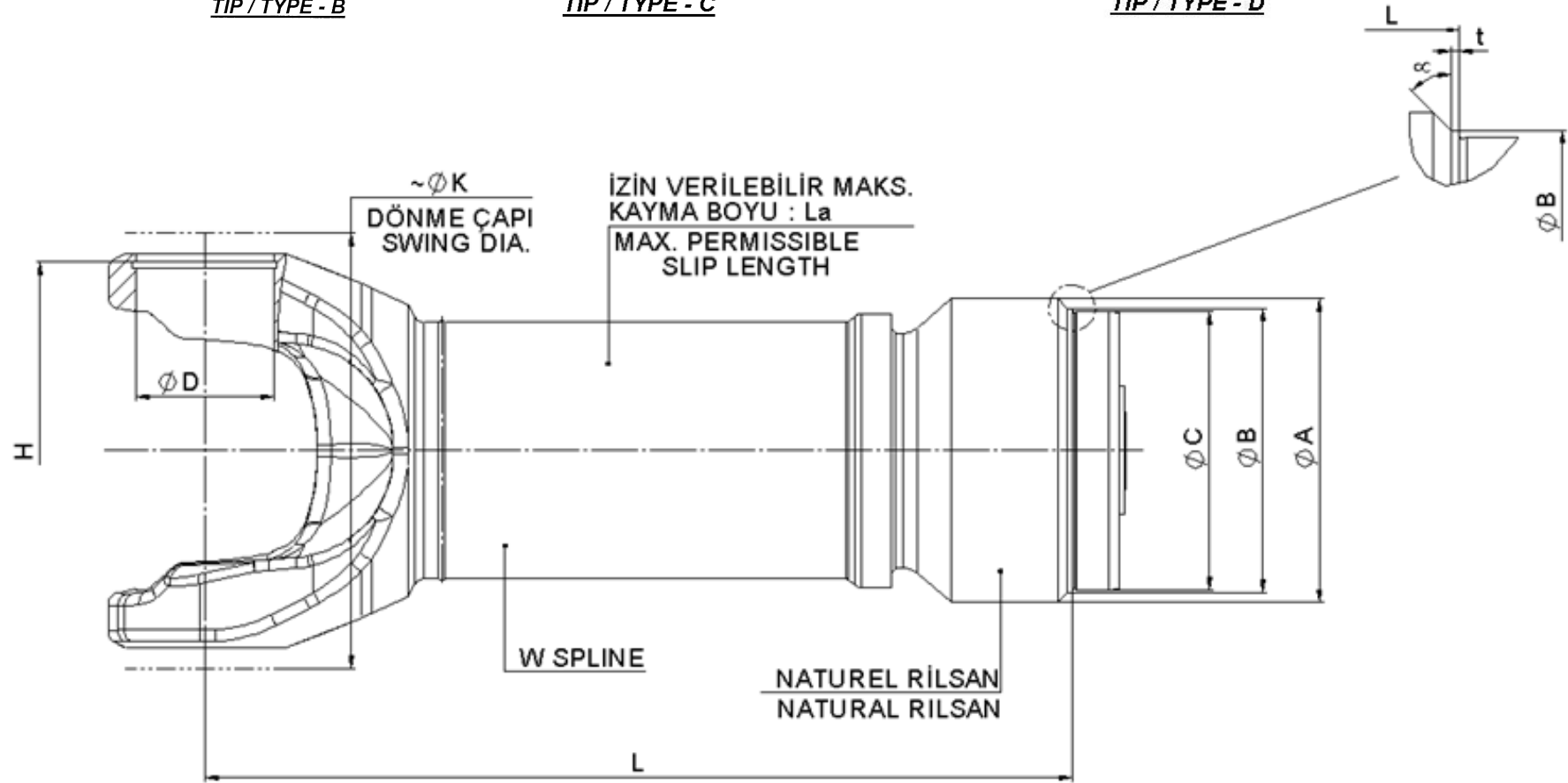
TİP / TYPE - B



TİP / TYPE - C



TİP / TYPE - D



DIN - COMPACT TİP KOMPLE KAYICI TAKIM
DIN - COMPACT TYPE SPLINED ASSEMBLY

SERİ/SERIE	PARÇA/PART NO	TİP/TYPE	ØA	ØB	ØC	ØD	H	ØK	L	La	t	α	W	MAFSAL AÇISI/JOINT ANGLE	BORU/TUBE	İSTAVROZ/U.JOINT
68720	SA.68720.01.02	B	78	---	73,3-0,13	30,175-0,018	84,78-0,05	98	~194	70	1,5	45°	Ø40x1,5x30°x24	25°	Ø76,2x1,6	Ø30,2x81,8
	SA.68720.02.02	B	78	73,4	71,7-0,13	30,175-0,018	84,78-0,05	98	~194	70	1,5	45°	Ø40x1,5x30°x24	25°	Ø76,2x2,4	Ø30,2x81,8
	SA.68720.03.02	B	70	66,3	64,3-0,13	30,175-0,018	84,78-0,05	98	~184	70	1,5	45°	Ø40x1,5x30°x24	25°	Ø70x3	Ø30,2x81,8
	SA.68720.10.02	B	60	56,6	54,3-0,13	30-0,018	84,98-0,05	98	~175	70	1,5	45°	Ø40x1,5x30°x24	25°	Ø60x3	Ø30x82
	SA.68720.13.02	B	70	67,2	65,5-0,13	30,175-0,018	84,78-0,05	98	~184	70	1,5	45°	Ø40x1,5x30°x24	25°	Ø70x2,4	Ø30,2x81,8
	SA.68720.14.02	B	60	56,6	54,3-0,13	30+0,025	84+0,1	98	~239	110	1,5	45°	Ø40x1,5x30°x24	35°	Ø60x3	Ø30x81,8
	SA.68720.15.02	B	60	56,6	54,3-0,13	30,175-0,018	84,78-0,05	98	~239	110	1,5	45°	Ø40x1,5x30°x24	35°	Ø60x3	Ø30,2x81,8
	SA.68720.16.02	B	60	56,6	54,3-0,13	30-0,018	84,98-0,05	98	~239	110	1,5	45°	Ø40x1,5x30°x24	35°	Ø60x3	Ø30x82
	SA.68720.18.02	B	60	56,6	54,3-0,13	30,175-0,018	84,78-0,05	98	~175	70	1,5	45°	Ø40x1,5x30°x24	25°	Ø60x3	Ø30,2x81,8
	SA.68720.19.02	B	76,2	73,7	71,7-0,13	30,175-0,018	84,78-0,05	98	~245	110	1,5	45°	Ø40x1,5x30°x24	35°	Ø76,2x2,4	Ø30,2x81,8
	SA.68720.20.02	B	76,2	73,7	71,7-0,13	30,175-0,018	84,78-0,05	98	~237	140	1,5	45°	Ø40x1,5x30°x24	25°	Ø76,2x2,4	Ø30,2x81,8
SA.68720.31.02	B	60	56,6	54,3-0,13	30-0,018	84,98-0,05	98	~175	70	1,5	45°	Ø40x1,5x30°x24	25°	Ø60x3	Ø30x81,8	

68730	SA.68730.06.02	B	88,5	85,7	84,4-0,13	34,925-0,018	109,296-0,05	127	~245	110	1,5	45°	Ø48x1,5x30°30	25°	Ø88,9x2,4	Ø34,9x106,4
	SA.68730.07.02	B	76,2	73,4	71,7-0,13	34,925-0,018	109,296-0,05	127	~245	110	1,5	45°	Ø48x1,5x30°30	25°	Ø76,2x2,4	Ø34,9x106,4
	SA.68730.18.02	B	80	73,4	73,3-0,13	34,925-0,018	109,296-0,05	127	~283	155	1,5	45°	Ø48x1,5x30°30	35°	Ø80x3,5	Ø34,9x106,4

68731	SA.68730.01.02	B	88,5	85,7	84,4-0,13	35+0,025	109,296-0,05	127	~245	110	1,5	45°	Ø48x1,5x30°30	25°	Ø88,9x2,4	Ø35x106,4
	SA.68730.05.02	B	76,2	75,5	71,7-0,13	35+0,025	109,296-0,05	127	~245	110	1,5	45°	Ø48x1,5x30°30	25°	Ø76,2x2,4	Ø35x106,4

68735	SA.68735.01.02	A	100	96,8	94,3-0,13	42+0,025	123+0,1	144	~257	110	2	45°	Ø55x2,5x30°x20	30°	Ø100x3	Ø42x119,4
-------	----------------	---	-----	------	-----------	----------	---------	-----	------	-----	---	-----	----------------	-----	--------	-----------

68740	SA.68740.05.02	B	120	116,3	114,3-0,13	47,64+0,025	138,676-0,06	162	~255	110	2	45°	Ø62x1,75x30°x34	25°	Ø120x3	Ø47,6x135,2
	SA.68740.20.02	B	100	95,3	92,3-0,13	47,64+0,025	138,676-0,06	162	~261,5	110	2	45°	Ø62x1,75x30°x34	25°	Ø100x4	Ø47,6x135,2
	SA.68740.22.02	B	120	114,3	112,3-0,13	47,64+0,025	138,676-0,06	162	~255	110	2	45°	Ø62x1,75x30°x34	25°	Ø120x4	Ø47,6x135,2
	SA.68740.23.02	B	100	95,3	92,3-0,13	47,64+0,025	138,676-0,06	162	~346,5	180	2	45°	Ø62x1,75x30°x34	44°	Ø100x4	Ø47,6x135,2
	SA.68740.24.02	B	100	94,3	91,3-0,13	47,64+0,025	138,676-0,06	162	~346,5	180	2	45°	Ø62x1,75x30°x34	44°	Ø100x4,5	Ø47,6x135,2
	SA.68740.35.02	B	100	94,3	91,3-0,13	47,64+0,025	138,676-0,06	162	~261,5	110	2	45°	Ø62x1,75x30°x34	25°	Ø100x4,5	Ø47,6x135,2

68741	SA.68740.01.02	A	100	95,3	92,3-0,13	48+0,025	138,676-0,06	162	~261,5	110	2	45°	Ø62x1,75x30°x34	25°	Ø100x4	Ø48x135,2
	SA.68740.03.02	B	120	114,3	112,3-0,13	48+0,025	138,676-0,06	162	~255	110	2	45°	Ø62x1,75x30°x34	25°	Ø120x4	Ø48x135,2
	SA.68740.08.02	B	100	95,3	92,3-0,13	48+0,025	138,676-0,06	162	~346,5	180	2	45°	Ø62x1,75x30°x34	44°	Ø100x4	Ø48x135,2
	SA.68740.14.02	B	100	95,3	92,3-0,13	48+0,025	138,676-0,06	162	~261,5	110	2	45°	Ø62x1,75x30°x34	25°	Ø100x4	Ø48x135,2
	SA.68740.15.02	B	100	94,3	91,3-0,13	48+0,025	138,676-0,06	162	~346,5	180	2	45°	Ø62x1,75x30°x34	44°	Ø100x4,5	Ø48x135,2
	SA.68740.16.02	B	100	94,3	91,3-0,13	48+0,025	138,676-0,06	162	~261,5	110	2	45°	Ø62x1,75x30°x34	25°	Ø100x4,5	Ø48x135,2
	SA.68740.17.02	B	120	116,3	114,3-0,13	48+0,025	138,676-0,06	162	~255	110	2	45°	Ø62x1,75x30°x34	25°	Ø120x3	Ø48x135,2

68745	SA.68745.01.02	B	120	114,3	112,3-0,13	52+0,025	151,176-0,06	176	~280	110	2	45°	Ø68x1,75x30°x38	35°	Ø120x4	Ø52x147,2
	SA.68745.14.02	B	120	114,3	112,3-0,13	52+0,025	151,176-0,06	176	~265	110	2	45°	Ø68x1,75x30°x38	35°	Ø120x4	Ø52x147,2
	SA.68745.21.02	B	120	114,3	112,3-0,13	52+0,025	151,176-0,06	176	~355	180	2	45°	Ø68x1,75x30°x38	44°	Ø120x4	Ø52x147,2

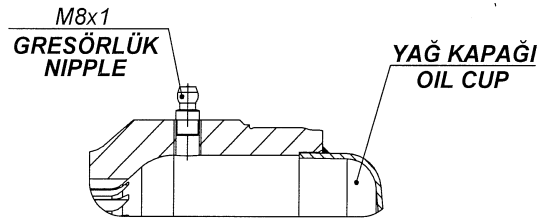


ÖLÇÜ VE RESİMLER BAĞLAYICI OLMAYIP, BİLDİRMEKSİZİN DEĞİŞTİRİLEBİLİR
DIMENSIONS AND ILLUSTRATIONS ARE SUBJECT TO CHANGE, AND WE RESERVE THE RIGHT TO INTRODUCE MODIFICATIONS WITHOUT PRIOR NOTICE

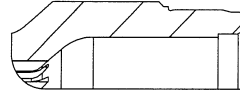


DIN - COMPACT TİP KOMPLE KAYICI TAKIM

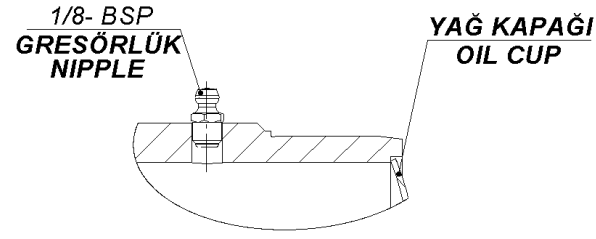
DIN - COMPACT TYPE SPLINED ASSEMBLY



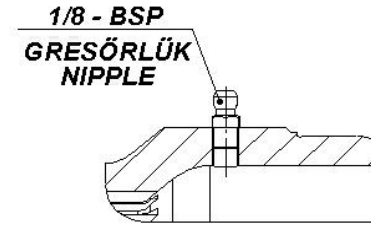
TİP / TYPE - A



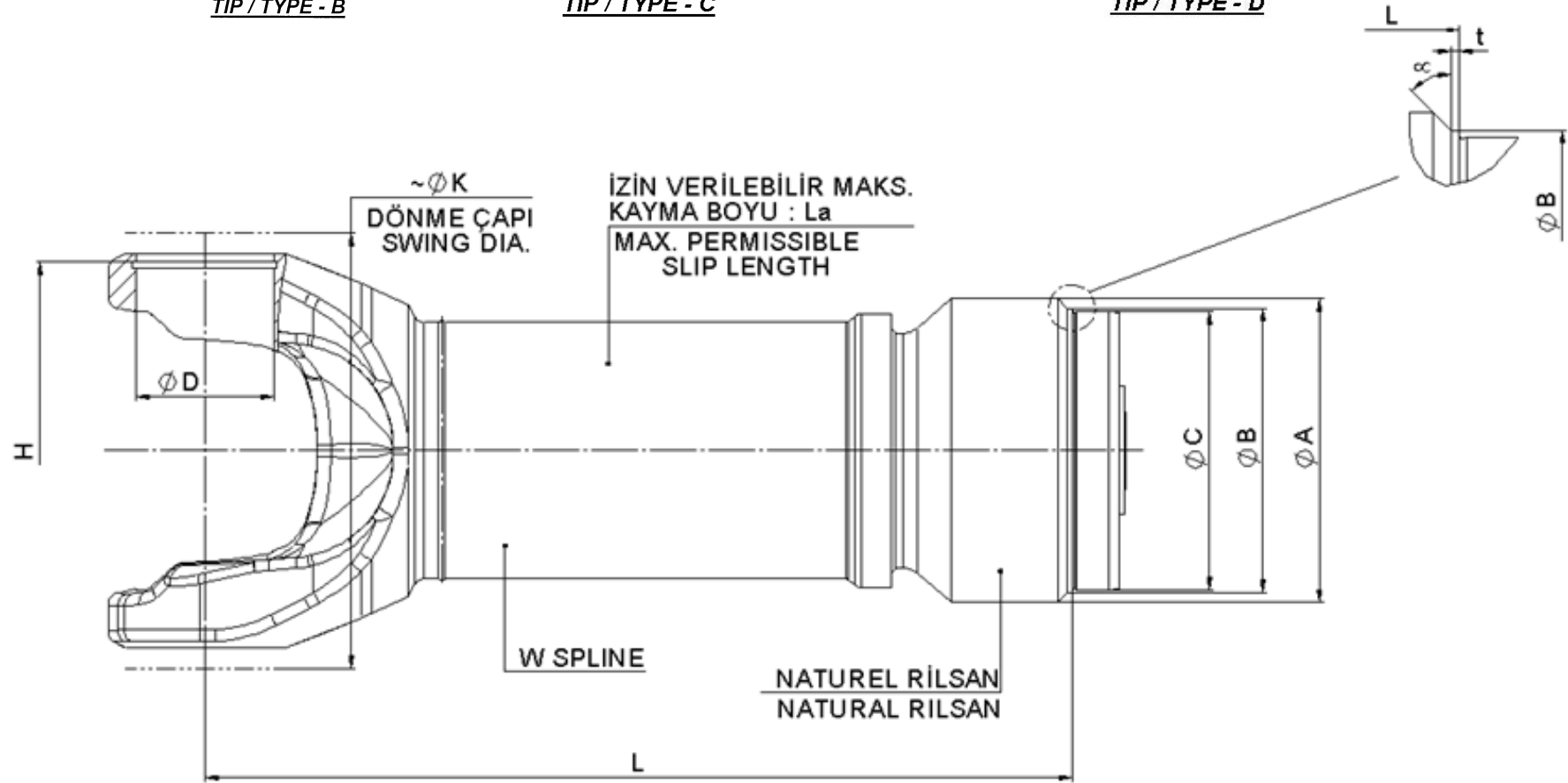
TİP / TYPE - B



TİP / TYPE - C



TİP / TYPE - D



DIN - COMPACT TİP KOMPLE KAYICI TAKIM
DIN - COMPACT TYPE SPLINED ASSEMBLY

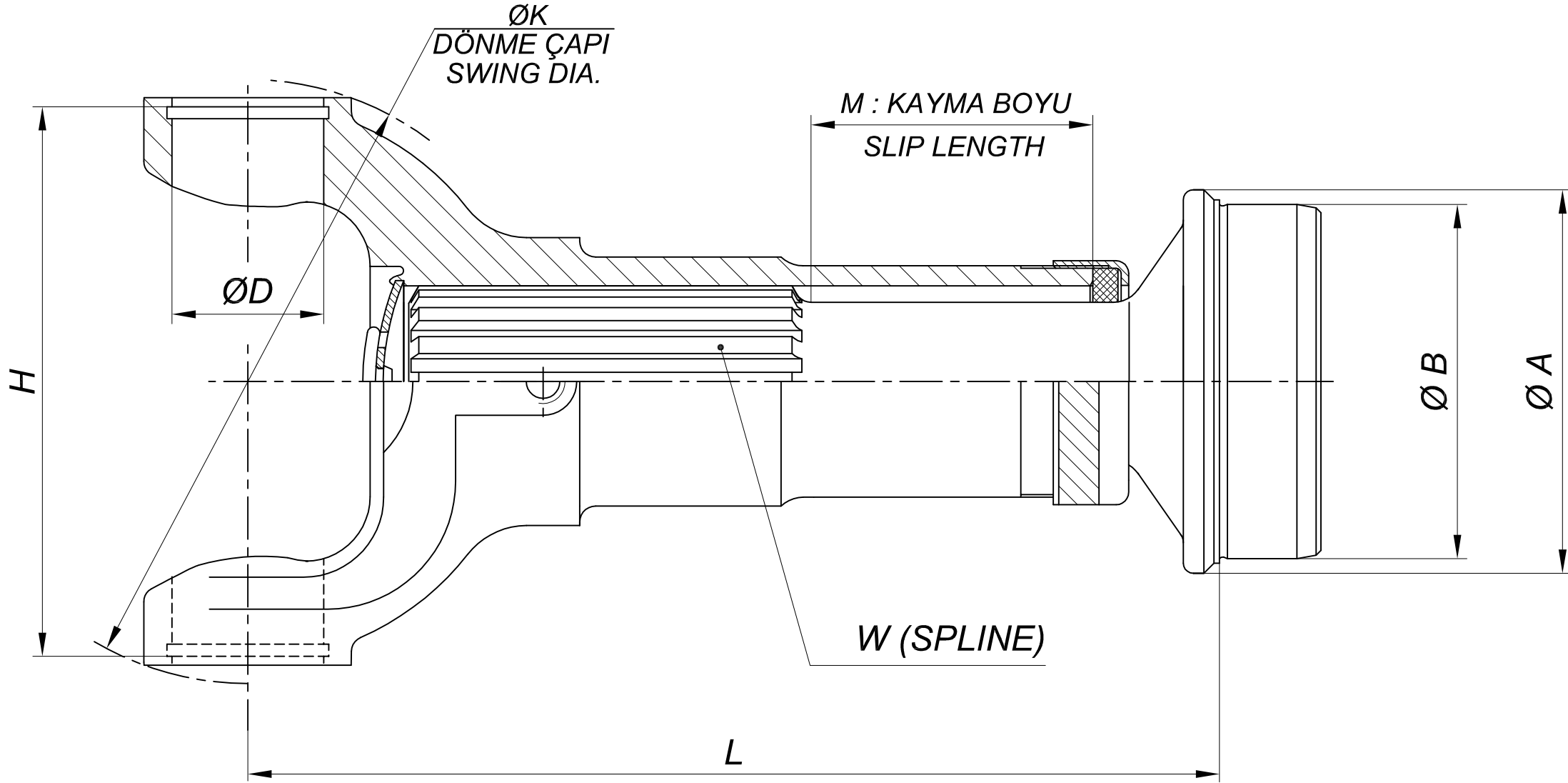
SERİ/SERIE	PARÇA/PART NO	TİP/TYPE	ØA	ØB	ØC	ØD	H	ØK	L	La	t	α	W	MAFSAL AÇISI/JOINT ANGLE	BORU/TUBE	İSTAVROZ/U.JOINT
68755	SA.68755.01.02	B	120	111,3	108,3-0,13	57+0,03	156,176-0,06	178	~287	110	2	45°	Ø78x2x30°x38	25°	Ø120x6	Ø57x152
	SA.68755.05.02	B	120	115,3	112,3-0,13	57+0,03	156,176-0,06	178	~287	110	2	45°	Ø78x2x30°x38	25°	Ø120x4	Ø57x152
	SA.68755.06.02	B	110	101,3	98,3-0,13	57+0,03	156,176-0,06	178	~287	110	2	45°	Ø78x2x30°x38	25°	Ø110x6	Ø57x152
	SA.68755.27.02	B	120	111,3	108,3-0,13	57+0,03	156,176-0,06	178	~390	180	2	45°	Ø80x2,5x30°x30	25°	Ø120x6	Ø57x152
68760	SA.68760.01.02	B	130	121,5	118,3-0,13	59+0,03	171,576-0,06	196	~314	110	2	45°	Ø82x2x30°x40	25°	Ø130x6	Ø59x167,7
68765	SA.68765.01.02	B	142	133,3	130,3-0,13	65+0,03	177,176-0,06	204	~338	110	2,5	45°	Ø90x2,5x30°x34	25°	Ø140x5	Ø65x172
	SA.68765.02.02	B	120	111,3	108,3-0,13	65+0,03	177,176-0,06	204	~338	110	2,5	45°	Ø90x2,5x30°x34	25°	Ø120x6	Ø65x172
	SA.68765.08.02	B	120	111,3	108,3-0,13	65+0,03	177,176-0,06	204	~408	180	2,5	45°	Ø90x2,5x30°x34	25°	Ø120x6	Ø65x172
	SA.68765.09.02	B	142	133,3	130,3-0,13	65+0,03	177,176-0,06	204	~408	180	2,5	45°	Ø90x2,5x30°x34	25°	Ø140x5	Ø65x172
	SA.68765.10.02	B	142	133,3	130,3-0,13	65+0,03	177,176-0,06	204	~338	110	2,5	30°	Ø90x2,5x30°x34	25°	Ø140x5	Ø65x172
	SA.68765.20.02	B	142	133,3	130,3-0,13	65+0,03	177,176-0,06	204	~408	180	2,5	30°	Ø90x2,5x30°x34	25°	Ø140x5	Ø65x172
	SA.68765.21.02	A	120	111,3	108,3-0,13	65+0,03	177,176-0,06	204	~408	180	2,5	45°	Ø90x2,5x30°x34	25°	Ø120x6	Ø65x172



ÖLÇÜ VE RESİMLER BAĞLAYICI OLMAYIP, BİLDİRMEKSİZİN DEĞİŞTİRİLEBİLİR
DIMENSIONS AND ILLUSTRATIONS ARE SUBJECT TO CHANGE, AND WE RESERVE THE RIGHT TO INTRODUCE MODIFICATIONS WITHOUT PRIOR NOTICE



SAE TİP KOMPLE KAYICI TAKIM SAE TYPE SPLINED ASSEMBLY



SAE TİP KOMPLE KAYICI TAKIM
SAE TYPE SPLINED ASSEMBLY

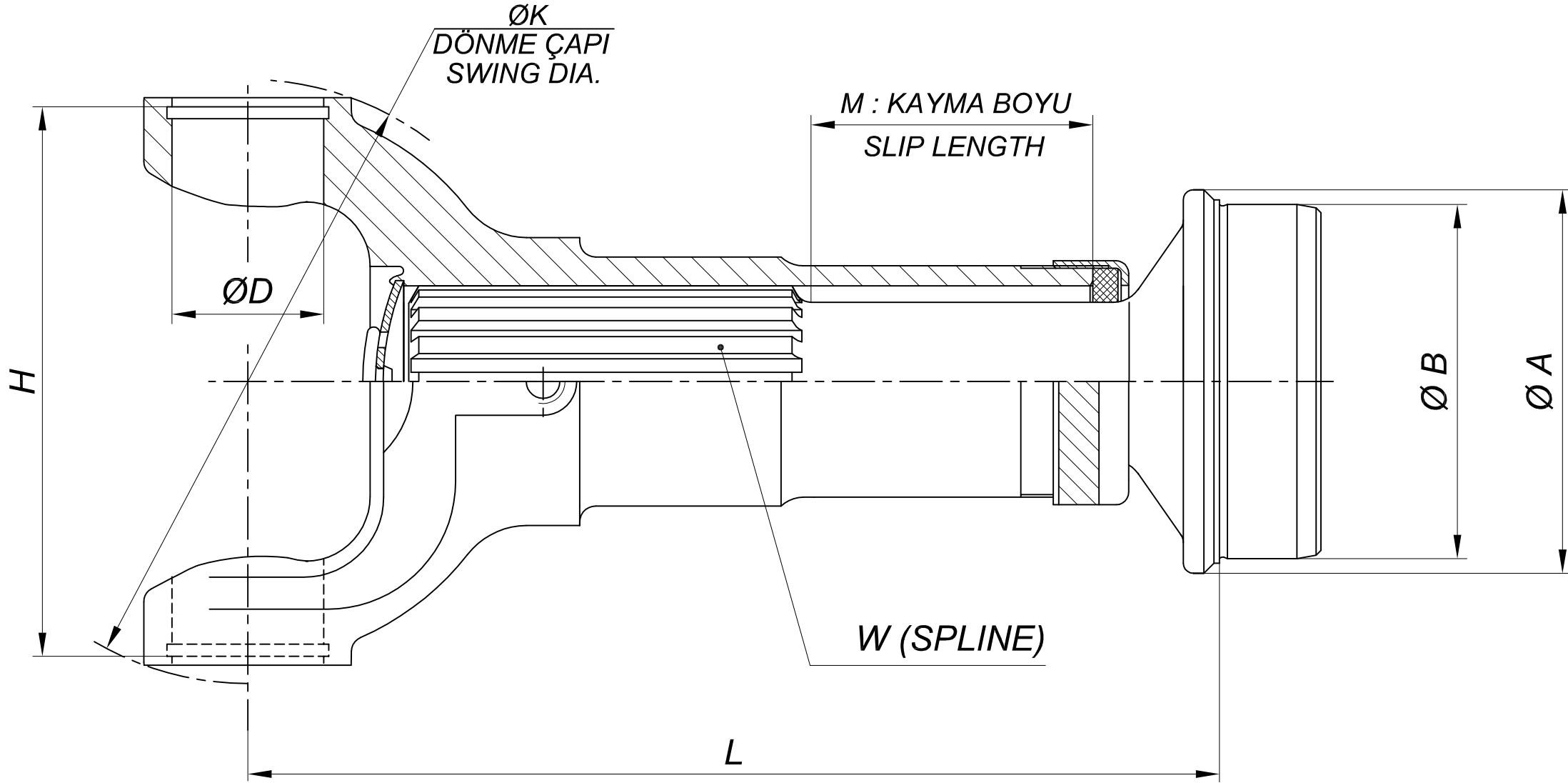
SERİ/SERIE	PARÇA/PART NO	ØA	ØB	ØD	H	ØK	L	M	W	MAFSAL AÇISI/JOINT ANGLE	BORU/TUBE	İSTAVROZ/U.JOINT	KAYICI MİL/SLIP STUB
01140	SA.01140.02.02	63,5	60,7-0,13	23,825-0,018	64,26-0,05	76,2	~126	43	SAE Ø26,9x16C	15°	Ø63,5x1,6	Ø23,8x61,2	---
	SA.01140.03.02	50,8	47,9-0,13	23,825-0,018	64,26-0,05	76,2	~126	43	SAE Ø26,9x16C	15°	Ø50,8x1,6	Ø23,8x61,2	---
	SA.01140.05.02	50,8	46,3-0,13	23,825-0,018	64,26-0,05	76,2	~126	43	SAE Ø26,9x16C	15°	Ø50,8x2,4	Ø23,8x61,2	---
	SA.01140.07.02	50,8	47,9-0,13	23,825-0,018	64,26-0,05	76,2	~126	43	SAE Ø26,9x16C	15°	Ø50,8x1,6	Ø23,8x61,2	RILSAN COATED
	SA.01140.08.02	44,45	39,95-0,13	23,825-0,018	64,26-0,05	76,2	~126	43	SAE Ø26,9x16C	15°	Ø44,45x2,4	Ø23,8x61,2	---
	SA.01140.13.02	50,8	46,3-0,13	23,825-0,018	64,26-0,05	76,2	~126	43	SAE Ø26,9x16C	15°	Ø50,8x2,4	Ø23,8x61,2	RILSAN COATED

01300	SA.01300.01.02	63,5	60,6-0,13	27-0,018	77,57-0,05	90,5	~154	50,8	SAE Ø34,9x16C	17°	Ø63,5x1,6	Ø27x74,6	---
	SA.01300.04.02	50,8	46,3-0,13	27-0,018	77,57-0,05	90,5	~154	50,8	SAE Ø34,9x16C	17°	Ø50,8x2,4	Ø27x74,6	---
	SA.01300.06.02	76,2	73,3-0,13	27-0,018	77,57-0,05	90,5	~178	60	SAE Ø38,1x16C	17°	Ø76,2x1,6	Ø27x74,6	---
	SA.01300.07.02	76,2	73,3-0,13	27-0,018	77,57-0,05	90,5	~157	50,8	SAE Ø34,9x16C	17°	Ø76,2x1,6	Ø27x74,6	---
	SA.01300.11.02	50,8	46,3-0,13	27-0,018	77,57-0,05	90,5	~154	50,8	SAE Ø34,9x16C	17°	Ø50,8x2,4	Ø27x74,6	RILSAN COATED
	SA.01300.14.02	76,2	73,3-0,13	27-0,018	77,57-0,05	90,5	~157	50,8	SAE Ø34,9x16C	17°	Ø76,2x1,6	Ø27x74,6	RILSAN COATED

01310	SA.01310.01.02	70	66,3-0,13	27-0,018	84,78-0,05	96,8	~157	50,8	SAE Ø34,9x16C	20°	Ø70x2	Ø27x81,8	---
	SA.01310.02.02	60	55,2-0,1	27-0,018	84,78-0,05	96,8	~157	50,8	SAE Ø34,9x16C	20°	Ø60x2,5	Ø27x81,8	---
	SA.01310.03.02	50,8	46,3-0,13	27-0,018	84,78-0,05	96,8	~154	50,8	SAE Ø34,9x16C	20°	Ø50,8x2,4	Ø27x81,8	---
	SA.01310.06.02	76,2	73,3-0,13	27-0,018	84,78-0,05	96,8	~157	50,8	SAE Ø34,9x16C	20°	Ø76,2x1,6	Ø27x81,8	---
	SA.01310.07.02	63,5	60,6-0,13	27-0,018	84,78-0,05	96,8	~154	50,8	SAE Ø34,9x16C	20°	Ø63,5x1,6	Ø27x81,8	---
	SA.01310.08.02	50,8	46,3-0,13	27-0,018	84,78-0,05	96,8	~230	111	SAE Ø34,9x16C	20°	Ø50,8x2,4	Ø27x81,8	---
	SA.01310.09.02	63,5	60,6-0,13	27-0,018	84,78-0,05	96,8	~185	70	SAE Ø34,9x16C	20°	Ø63,5x1,6	Ø27x81,8	---
	SA.01310.10.02	63,5	58,9-0,13	27-0,018	84,78-0,05	96,8	~154	50,8	SAE Ø34,9x16C	20°	Ø63,5x2,4	Ø27x81,8	---
	SA.01310.11.02	50,8	46,3-0,13	27-0,018	84,78-0,05	96,8	~154	50,8	SAE Ø34,9x16C	20°	Ø50,8x2,4	Ø27x81,8	RILSAN COATED
	SA.01310.12.02	76,2	73,3-0,13	27-0,018	84,78-0,05	96,8	~178,5	50,8	SAE Ø38,1x16C	20°	Ø76,2x1,6	Ø27x81,8	---
	SA.01310.14.02	63,5	60,6-0,13	27-0,018	84,78-0,05	96,8	~230	111	SAE Ø34,9x16C	20°	Ø63,5x1,6	Ø27x81,8	---
	SA.01310.17.02	76,2	73,3-0,13	27-0,018	84,78-0,05	96,8	~157	50,8	SAE Ø34,9x16C	20°	Ø76,2x1,6	Ø27x81,8	RILSAN COATED
	SA.01310.18.02	50,8	46,3-0,13	27-0,018	84,78-0,05	96,8	~230	111	SAE Ø34,9x16C	20°	Ø50,8x2,4	Ø27x81,8	RILSAN COATED
	SA.01310.21.02	76,2	73,3-0,13	27-0,018	84,78-0,05	96,8	~178,5	50,8	SAE Ø38,1x16C	20°	Ø76,2x1,6	Ø27x81,8	RILSAN COATED
SA.01310.22.02	50,8	46,3-0,13	27-0,018	84,78-0,05	96,8	~154	55	SAE Ø34,9x16C	20°	Ø50,8x2,4	Ø27x81,8	RILSAN COATED	



SAE TİP KOMPLE KAYICI TAKIM
SAE TYPE SPLINED ASSEMBLY



SAE TİP KOMPLE KAYICI TAKIM
SAE TYPE SPLINED ASSEMBLY

SERİ/SERIE	PARÇA/PART NO	ØA	ØB	ØD	H	ØK	L	M	W	MAFSAL AÇISI/JOINT ANGLE	BORU/TUBE	İSTAVROZ/U.JOINT	KAYICI MİL/SLIP STUB
01310	SA.01310.24.02	76,2	73,3-0,13	27-0,018	84,78-0,05	96,8	~157	50,8	SAE Ø34,9x16C	20°	Ø76,2x1,6	Ø27x81,8	---
	SA.01310.36.02	50,8	46,3-0,13	27-0,018	84,78-0,05	96,8	~154	50,8	SAE Ø34,9x16C	20°	Ø50,8x2,4	Ø27x81,8	RILSAN COATED
	SA.01310.37.02	63,5	58,9-0,13	27-0,018	84,78-0,05	96,8	~154	50,8	SAE Ø34,9x16C	20°	Ø63,5x2,4	Ø27x81,8	RILSAN COATED
	SA.01310.42.02	63,5	60,6-0,13	27-0,018	84,78-0,05	96,8	~154	50,8	SAE Ø34,9x16C	20°	Ø63,5x1,6	Ø27x81,8	RILSAN COATED
	SA.01310.43.02	76,2	71,7-0,13	27-0,018	84,78-0,05	96,8	~157	50,8	SAE Ø34,9x16C	20°	Ø76,2x2,4	Ø27x81,8	---

01410	SA.01410.01.02	76,2	71,7-0,13	30,175-0,018	109,25+0,05	122	~193	57	SAE Ø38,1x16C	20°	Ø76,2x2,4	Ø30,2x106,3	---
	SA.01410.02.02	88,9	84,4-0,13	30,175-0,018	109,25+0,05	122	~193	57	SAE Ø38x16C	20°	Ø88,9x2,4	Ø30,2x106,3	---
	SA.01410.03.02	76,2	71,7-0,13	30,175-0,018	109,25+0,05	122	~230	82,5	SAE Ø38x16C	20°	Ø76,2x2,4	Ø30,2x106,3	---
	SA.01410.06.02	76,2	71,7-0,13	30,175-0,018	109,25+0,05	122	~193	57	SAE Ø38,1x16C	20°	Ø76,2x2,4	Ø30,2x106,3	RILSAN COATED
	SA.01410.07.02	74,5	70,3-0,13	30,175-0,018	109,25+0,05	122	~193	57	SAE Ø38,1x16C	20°	Ø74,5x2,25	Ø30,2x106,3	RILSAN COATED
	SA.01410.10.02	76,2	71,7-0,13	30,175-0,018	109,25+0,05	122	~230	72	SAE Ø38,1x16C	20°	Ø76,2x2,4	Ø30,2x106,3	---
	SA.01410.11.02	76,2	71,7-0,13	30,175-0,018	109,25+0,05	122	~230	82,5	SAE Ø38x16C	20°	Ø76,2x2,4	Ø30,2x106,3	RILSAN COATED
	SA.01410.12.02	76,2	71,7-0,13	30,175-0,018	109,25+0,05	122	~230	57	SAE Ø38,1x16C	20°	Ø76,2x2,4	Ø30,2x106,3	---
	SA.01410.14.02	76,2	71,7-0,13	30,175-0,018	109,25+0,05	122	~230	72	SAE Ø38,1x16C	20°	Ø76,2x2,4	Ø30,2x106,3	RILSAN COATED
	SA.01410.15.02	88,9	84,4-0,13	30,175-0,018	109,25+0,05	122	~195	57	SAE Ø38,1x16C	20°	Ø88,9x2,4	Ø30,2x106,3	RILSAN COATED
SA.01410.25.02	88,9	84,4-0,13	30,175-0,018	109,25+0,05	122	~230	72	SAE Ø38,1x16C	20°	Ø88,9x2,4	Ø30,2x106,3	RILSAN COATED	

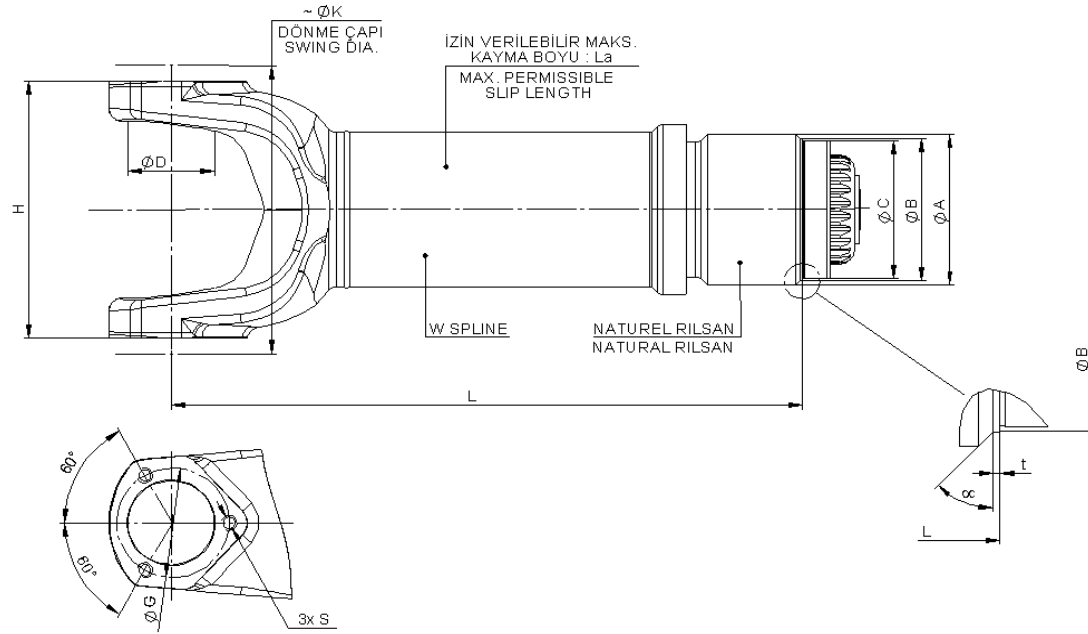
01480	SA.01480.01.02	76,2	71,7-0,13	34,925-0,018	109,296-0,05	124,7	~197	60	SAE Ø44,45x16C	20°	Ø76,2x2,4	Ø34,9x106,4	---
	SA.01480.02.02	76,2	71,7-0,13	34,925-0,018	109,296-0,05	124,7	~197	70	SAE Ø44,45x16C	20°	Ø76,2x2,4	Ø34,9x106,4	---
	SA.01480.03.02	88,9	84,4-0,13	34,925-0,018	109,296-0,05	124,7	~197	70	SAE Ø44,45x16C	20°	Ø88,9x2,4	Ø34,9x106,4	---

01510	SA.01510.01.02	88,9	84,4-0,13	39,68-0,018	119,35-0,05	136	~203,7	60	SAE Ø44,45x16C	20°	Ø88,9x2,4	Ø39,7x115,8	---
	SA.01510.02.02	76,2	71,7-0,13	39,68-0,018	119,35-0,05	136	~197	60	SAE Ø44,45x16C	20°	Ø76,2x2,4	Ø39,7x115,8	---
	SA.01510.03.02	90	85,3-0,13	39,68-0,018	119,35-0,05	136	~203,7	60	SAE Ø44,45x16C	20°	Ø90x2,5	Ø39,7x115,8	---
	SA.01510.04.02	90	82,3-0,13	39,68-0,018	119,35-0,05	136	~203,7	60	SAE Ø44,45x16C	20°	Ø90x4	Ø39,7x115,8	---

01630	SA.01630.01.02	90	82,3-0,13	39,68-0,018	119,35-0,05	136	~296	110	SAE Ø50,8x16C	20°	Ø90x4	Ø39,7x115,8	---
-------	----------------	----	-----------	-------------	-------------	-----	------	-----	---------------	-----	-------	-------------	-----



VOLVO NK SERİSİ KOMPLE KAYICI TAKIM
VOLVO NK SERIES SPLINED ASSEMBLY



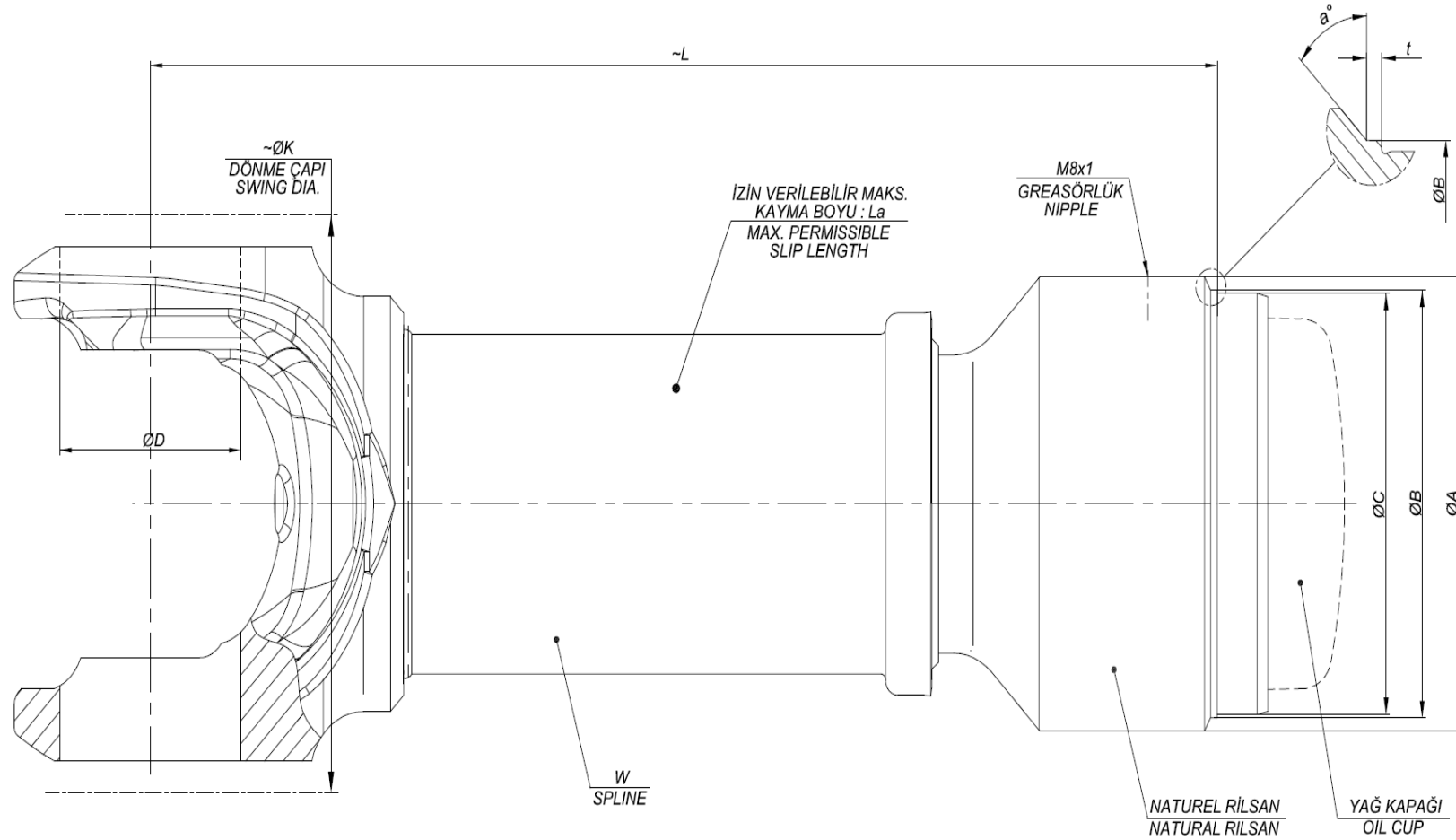
SERİ/SERIE	PARÇA/PART NO	ØA	ØB	ØC	ØD	ØG	H	ØK	S	L	La	t	α	W	MAFSAL AÇISI/JOINT ANGLE	BORU/TUBE	İSTAVROZ/U.JOINT
50152	SA.50152.01.02	90	85	82,3-0,13	50+0,03	65	152,73-0,1	174	M8x1,25-6H	~365	110	1,5	45°	Ø65x2,5x30°x24	30°	Ø90x4	Ø50x152
57152	SA.57152.01.02	100	90,3	88,3-0,13	57+0,03	72	152,73-0,1	180	M8x1,25-6H	~342	110	2,5	30°	Ø75x2,5x30°x28	30°	Ø100x6	Ø57x152



ÖLÇÜ VE RESİMLER BAĞLAYICI OLMAYIP, BİLDİRMEKSİZİN DEĞİŞTİRİLEBİLİR
DIMENSIONS AND ILLUSTRATIONS ARE SUBJECT TO CHANGE, AND WE RESERVE THE RIGHT TO INTRODUCE MODIFICATIONS WITHOUT PRIOR NOTICE



ÖZEL TİP KOMPLE KAYICI TAKIM
SPECIAL TYPE SPLINED ASSEMBLY



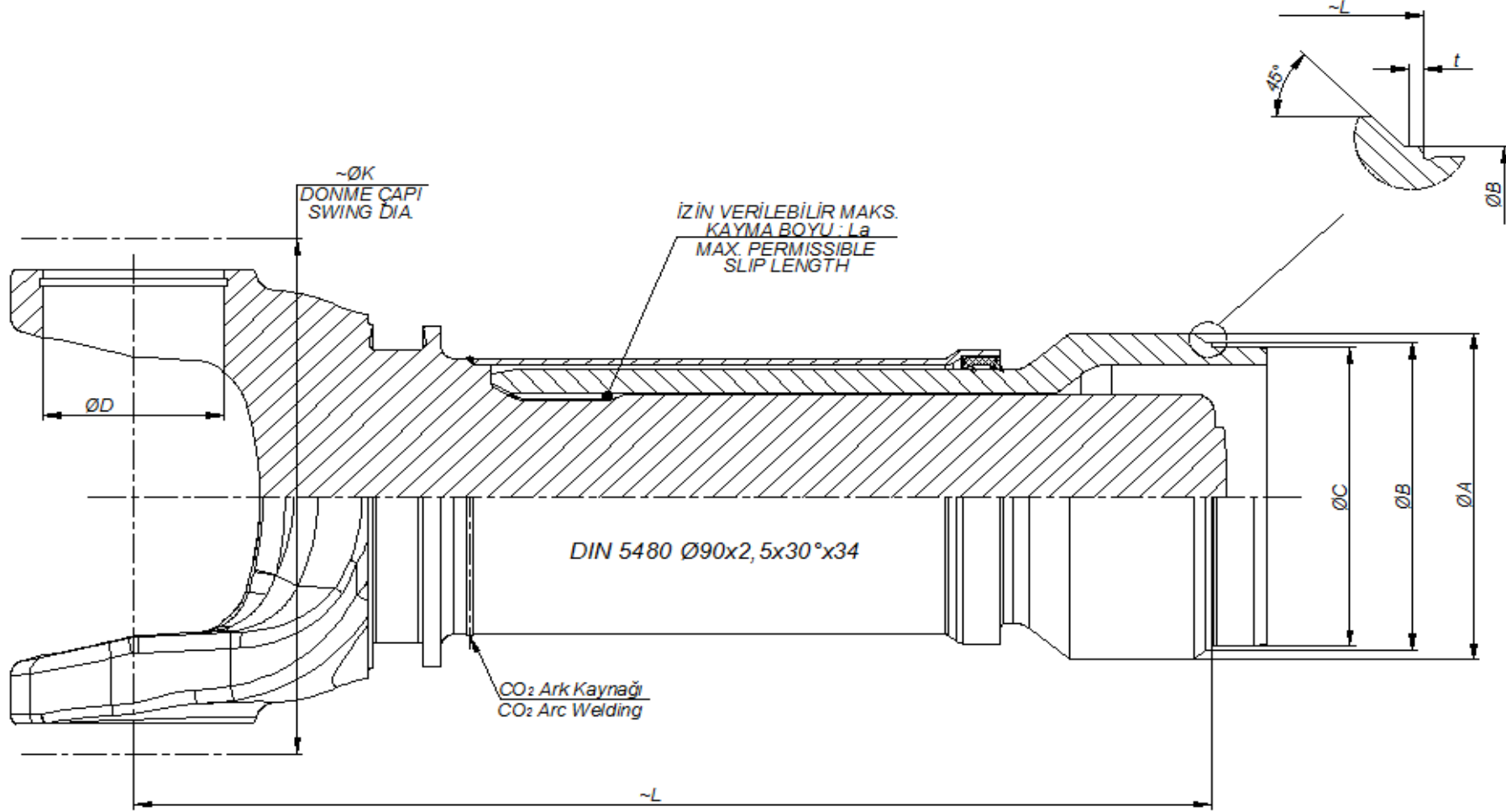
SERİ/SERIE	PARÇA/PART NO	ØA	ØB	ØC	ØD	ØK	L	La	t	a	W	GRESÖRLÜK/ NIPPLE	YAĞ KAPAĞI/ OIL CUP	BORU/TUBE	İSTAVROZ/U.JOINT
385-60	SA.68095.01.02	140	132	130	68	178	~400	160	2,5	30°	Ø80x2,5x30°x30	✓	---	Ø140x5	Ø68x89
	SA.68095.02.02	110	101,3	98,3	68	178	~399	180	1,5	45°	Ø80x2,5x30°x30	✓	✓	Ø110x6	Ø68x89



ÖLÇÜ VE RESİMLER BAĞLAYICI OLMAYIP, BİLDİRMEKSİZİN DEĞİŞTİRİLEBİLİR
DIMENSIONS AND ILLUSTRATIONS ARE SUBJECT TO CHANGE, AND WE RESERVE THE RIGHT TO INTRODUCE MODIFICATIONS WITHOUT PRIOR NOTICE



ÖZEL TİP KOMPLE KAYICI TAKIM SPECIAL TYPE SPLINED ASSEMBLY



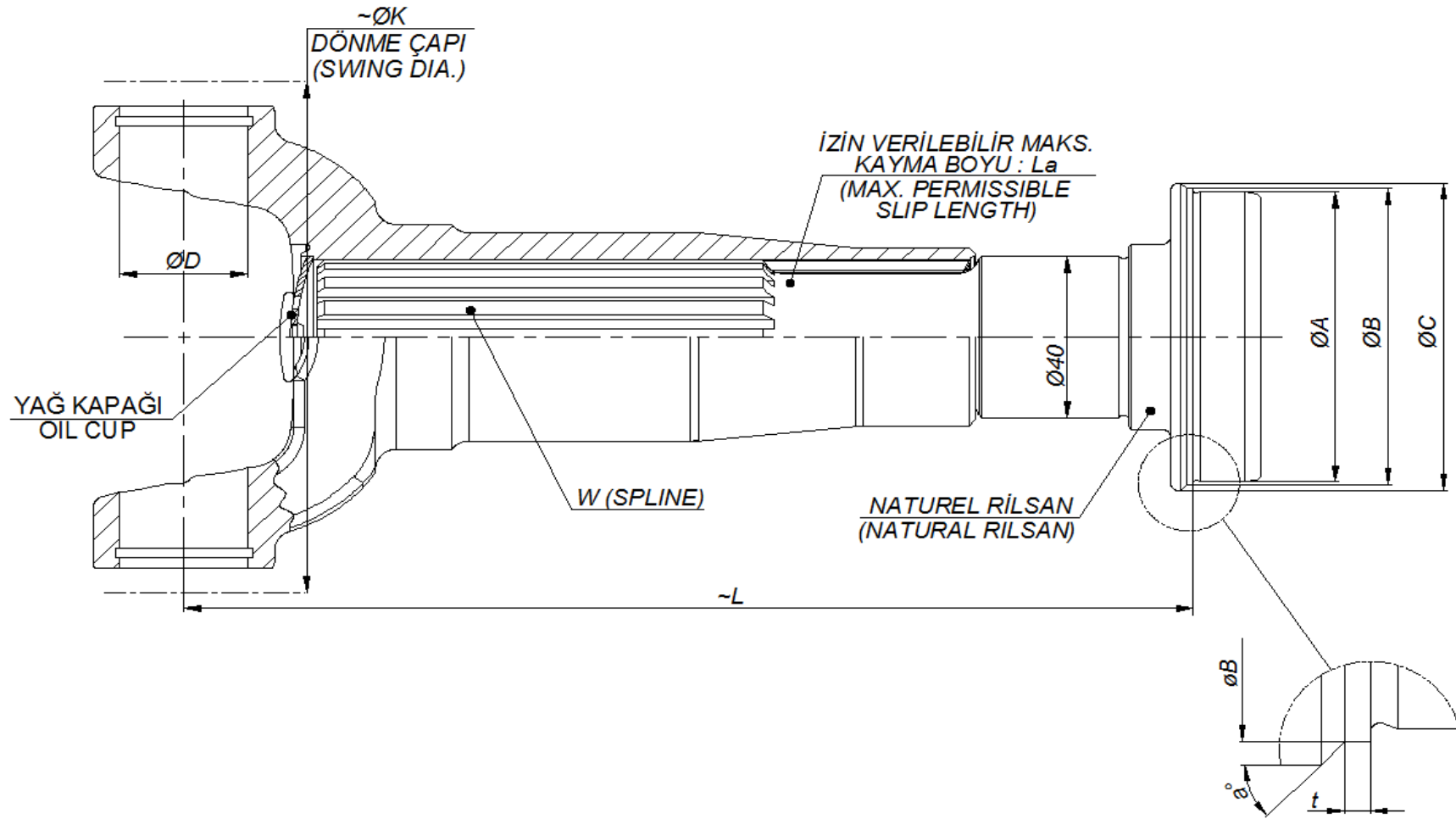
SERİ/SERIE	PARÇA/PART NO	ØA	ØB	ØC	ØD	ØK	L	La	t	a	W	BORU/TUBE	İSTAVROZ/U.JOINT
58750	SA.58750.03.02	142	133,3	130,3	72	224	~431	180	2,5	25°	Ø90x2,5x30°x34	Ø140x5 - Ø142x6	Ø72x185
	SA.58750.04.02	141	133,3	130,3	72	224	~361	110	2,5	25°	Ø90x2,5x30°x34	Ø140x5 - Ø142x6	Ø72x185



ÖLÇÜ VE RESİMLER BAĞLAYICI OLMAYIP, BİLDİRMEKSİZİN DEĞİŞTİRİLEBİLİR
DIMENSIONS AND ILLUSTRATIONS ARE SUBJECT TO CHANGE, AND WE RESERVE THE RIGHT TO INTRODUCE MODIFICATIONS WITHOUT PRIOR NOTICE



ÖZEL TİP KOMPLE KAYICI TAKIM
SPECIAL TYPE SPLINED ASSEMBLY



SERİ/SERIE	PARÇA/PART NO	ØA	ØB	ØC	ØD	ØK	L	La	t	a	W	BORU/TUBE	İSTAVROZ/U.JOINT
01310	SA.01310.40.02	73,3	-	76,2	27	122	~245	115	-	45°	SAE Ø38,1x16C	Ø76,2x1,6	Ø27x81,8
01410	SA.01410.20.02	71,7	73,4	76,2	30,175	122	~237	115	1,5	45°	SAE Ø38,1x16C	Ø76,2x2,4	Ø30,2x106,2

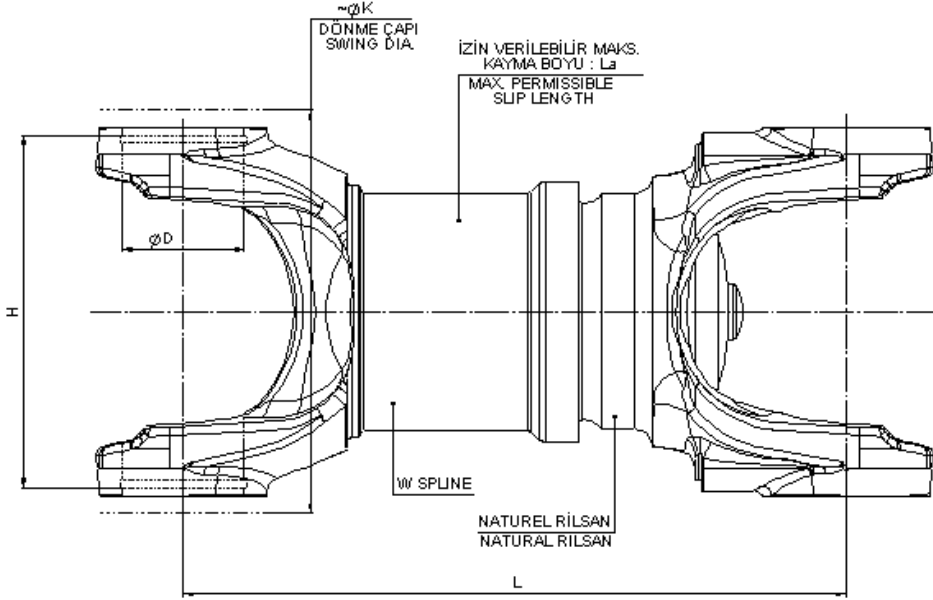


ÖLÇÜ VE RESİMLER BAĞLAYICI OLMAYIP, BİLDİRMEKSİZİN DEĞİŞTİRİLEBİLİR
DIMENSIONS AND ILLUSTRATIONS ARE SUBJECT TO CHANGE, AND WE RESERVE THE RIGHT TO INTRODUCE MODIFICATIONS WITHOUT PRIOR NOTICE

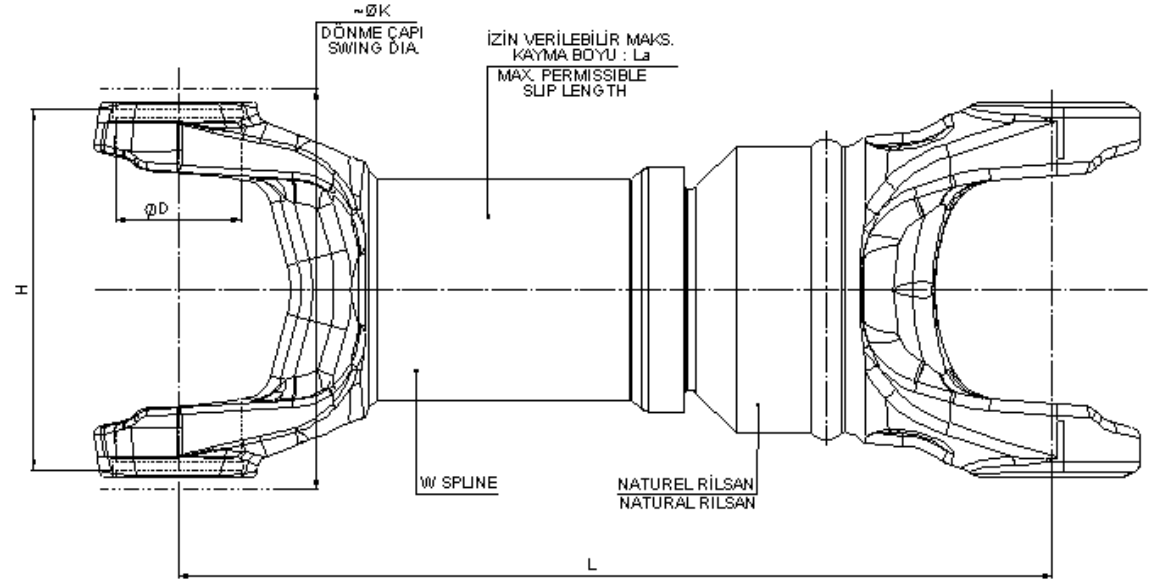


DIN - COMPACT TİP KISA KARDAN MİLİ KAYICI TAKIMI

DIN - COMPACT SHORT COUPLE SPLINED ASSEMBLY



TİP-A / TYPE-A



TİP-B / TYPE-B



ÖLÇÜ VE RESİMLER BAĞLAYICI OLMAYIP, BİLDİRMEKSİZİN DEĞİŞTİRİLEBİLİR
DIMENSIONS AND ILLUSTRATIONS ARE SUBJECT TO CHANGE, AND WE RESERVE THE RIGHT TO INTRODUCE MODIFICATIONS WITHOUT PRIOR NOTICE



DIN - COMPACT TİP KISA KARDAN MİLİ KAYICI TAKIMI
DIN - COMPACT SHORT COUPLE SPLINED ASSEMBLY

SERİ/SERIE	PARÇA/PART NO	TUP ÇATAL PARÇA NO/TUBE YOKE PART NO	TİP/TYPE	ØD	H	ØK	L±2	La	W	MAFSAL AÇISI/JOINT ANGLE	İSTAVROZ/U.JOINT
00385	SA.00385.14.02	TY.00385.09.02	B	48+0,025	129,476-0,06	148	416	110	Ø65x2,5x30°x24	24°	Ø48x126
	SA.00385.15.02	-	A	48+0,025	129,476-0,06	148	247	70	Ø65x2,5x30°x24	20°	Ø48x126
00389	SA.00389.11.02	TY.00389.01.02	B	53+0,03	138,9-0,06	159	491	110	Ø72x2,5x30°x27	36°	Ø53x135
58710	SA.58710.01.02	TY.58710.01.02	B	35+0,025	99,696-0,05	118	355	80	Ø45x1,5x30°x28	25°	Ø35x96,8
	SA.58710.02.02	TY.58710.01.02	B	35+0,025	99,696-0,05	118	370	150	Ø45x1,5x30°x28	25°	Ø35x96,8
58730	SA.58730.04.02	TY.58730.11.01	B	52+0,03	136,976-0,06	158	410	110	Ø65x2,5x30°x24	35°	Ø52x133
58735	SA.58735.08.02	TY.58735.10.02	B	57+0,03	147,976-0,06	174	387	80	Ø75x2,5x30°x28	35°	Ø57x144
58742	SA.58742.03.02	TY.68755.04.01	B	57+0,03	156,176-0,06	178	485	180	Ø80x2,5x30°x30	25°	Ø57x152
	SA.58742.08.02	TY.58742.04.02	B	57+0,03	156,176-0,06	178	460	110	Ø80x2,5x30°x30	25°	Ø57x152
68730	SA.68730.08.02	TY.68730.03.02	B	35+0,025	109,296-0,05	127	233	70	Ø48x1,5x30°x30	25°	Ø35x106,4
	SA.68730.10.02	TY.68730.07.02	B	35+0,025	109,296-0,05	127	318	110	Ø48x1,5x30°x30	25°	Ø35x106,4
	SA.68730.11.02	TY.68730.03.02	B	35+0,025	109,296-0,05	127	268	70	Ø48x1,5x30°x30	25°	Ø35x106,4
	SA.68730.12.02	TY.68730.03.02	B	35+0,025	109,296-0,05	127	288	90	Ø48x1,5x30°x30	25°	Ø35x106,4
68740	SA.68740.06.02	TY.68740.07.02	B	48+0,025	138,676-0,06	162	311	70	Ø65x2,5x30°x24	25°	Ø48x135,2
	SA.68740.07.02	-	A	48+0,025	138,676-0,06	162	247	70	Ø65x2,5x30°x24	20°	Ø48x135,2
	SA.68740.10.02	TY.68740.07.02	B	48+0,025	138,676-0,06	162	296	50	Ø65x2,5x30°x24	25°	Ø48x135,2
	SA.68740.29.02	TY.68740.09.02	B	48+0,025	138,676-0,06	162	416	160	Ø62x,75x30°x34	25°	Ø48x135,2
	SA.68740.51.02	TY.68740.09.02	B	48+0,025	138,676-0,06	162	434	180	Ø62x,75x30°x34	44°	Ø48x135,2
	SA.68740.62.02	TY.68740.09.02	B	48+0,025	138,676-0,06	162	395	110	Ø62x,75x30°x34	25°	Ø48x135,2

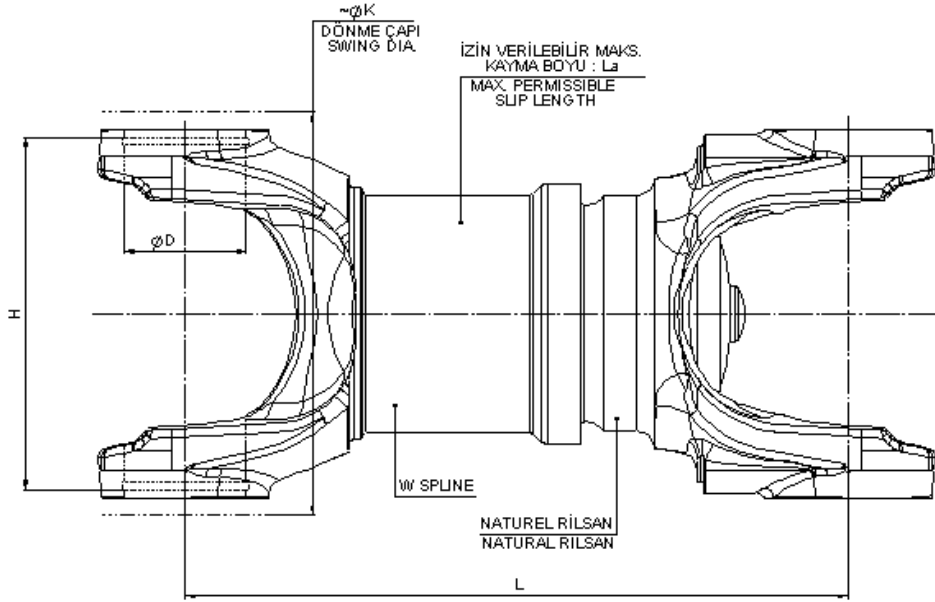


ÖLÇÜ VE RESİMLER BAĞLAYICI OLMAYIP, BİLDİRMEKSİZİN DEĞİŞTİRİLEBİLİR
 DIMENSIONS AND ILLUSTRATIONS ARE SUBJECT TO CHANGE, AND WE RESERVE THE RIGHT TO INTRODUCE MODIFICATIONS WITHOUT PRIOR NOTICE

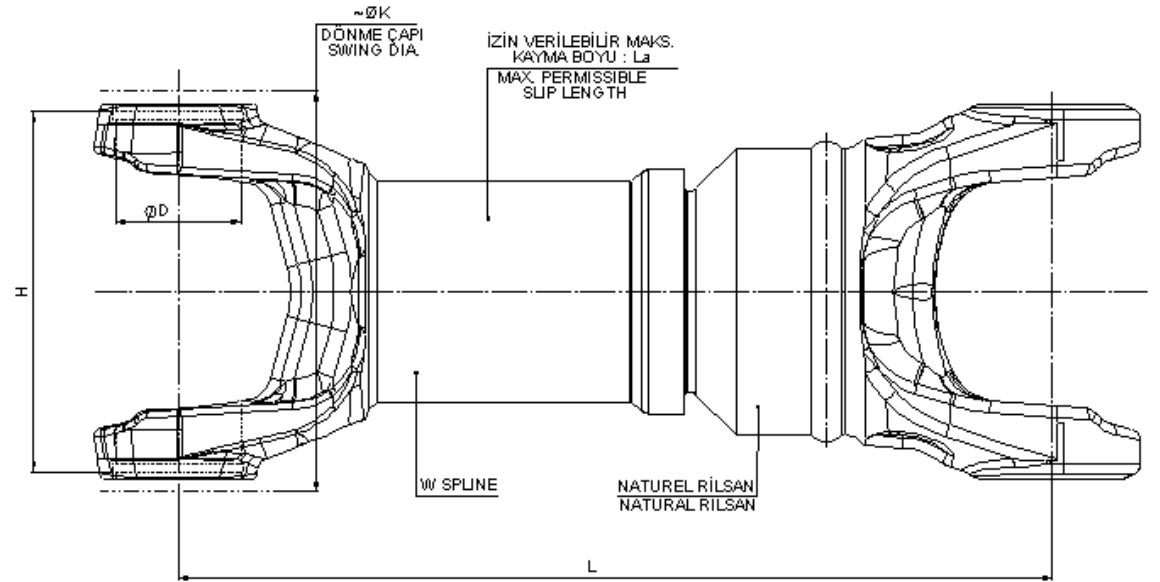


DIN - COMPACT TİP KISA KARDAN MİLİ KAYICI TAKIMI

DIN - COMPACT SHORT COUPLE SPLINED ASSEMBLY



TİP-A / TYPE-A



TİP-B / TYPE-B



ÖLÇÜ VE RESİMLER BAĞLAYICI OLMAYIP, BİLDİRMEKSİZİN DEĞİŞTİRİLEBİLİR
DIMENSIONS AND ILLUSTRATIONS ARE SUBJECT TO CHANGE, AND WE RESERVE THE RIGHT TO INTRODUCE MODIFICATIONS WITHOUT PRIOR NOTICE



DIN - COMPACT TİP KISA KARDAN MİLİ KAYICI TAKIMI
DIN - COMPACT SHORT COUPLE SPLINED ASSEMBLY

SERİ/SERIE	PARÇA/PART NO	TUP ÇATAL PARÇA NO/TUBE YOKE PART NO	TİP/TYPE	ØD	H	ØK	L±2	La	W	MAFSAL AÇISI/JOINT ANGLE	İSTAVROZ/U.JOINT
68745	SA.68745.15.02	TY.68745.15.02	B	52+0,025	151,176-0,06	174	468	180	Ø68x1,75x30°x38	44°	Ø52x147,2
	SA.68745.17.02	TY.68745.15.02	B	52+0,025	151,176-0,06	174	367	110	Ø68x1,75x30°x38	35°	Ø52x147,2
	SA.68745.22.02	TY.68745.05.02	B	52+0,025	151,176-0,06	174	390	110	Ø68x1,75x30°x38	35°	Ø52x147,2
	SA.68745.23.02	TY.68745.14.02	B	52+0,025	151,176-0,06	174	424	147	Ø68x1,75x30°x38	44°	Ø52x147,2
	SA.68745.31.02	TY.68745.15.02	B	52+0,025	151,176-0,06	174	410	130	Ø68x1,75x30°x38	44°	Ø52x147,2
	SA.68745.32.02	-	A	52+0,025	151,176-0,06	174	316	95	Ø68x1,75x30°x38	25°	Ø52x147,2
	SA.68745.33.02	-	A	53+0,025	151,176-0,06	174	316	95	Ø68x1,75x30°x38	25°	Ø53x147,2

68755	SA.68755.11.02	TY.68755.14.02	B	57+0,03	156,176-0,06	178	420	110	Ø78x2x30°x38	25°	Ø57x152
	SA.68755.13.02	-	A	57+0,03	156,176-0,06	178	293	55	Ø78x2x30°x38	25°	Ø57x152
	SA.68755.17.02	-	A	57+0,03	156,176-0,06	178	286	55	Ø78x2x30°x38	25°	Ø57x152
	SA.68755.24.02	TY.68755.19.01	B	57+0,03	156,176-0,06	178	316	60	Ø78x2x30°x38	25°	Ø57x152
	SA.68755.25.02	-	A	57+0,03	156,176-0,06	178	324	70	Ø78x2x30°x38	25°	Ø57x152
	SA.68755.26.02	TY.68755.20.02	B	57+0,03	156,176-0,06	178	376	110	Ø78x2x30°x38	35°	Ø57x152
	SA.68755.29.02	-	A	57+0,03	156,176-0,06	178	435	180	Ø78x2x30°x38	44°	Ø57x152
	SA.68755.30.02	TY.68755.23.02	B	57+0,03	156,176-0,06	178	470	180	Ø78x2x30°x38	44°	Ø57x152
	SA.68755.34.02	-	A	57+0,03	156,176-0,06	178	313	70	Ø78x2x30°x38	25°	Ø57x152

68760	SA.68760.02.02	TY.68760.02.02	B	59+0,03	171,576-0,06	196	390	110	Ø82x2x30°x40	30°	Ø59x167,7
	SA.68760.04.02	TY.68760.02.02	B	59+0,03	171,576-0,06	196	333	50	Ø82x2x30°x40	30°	Ø59x167,7
	SA.68760.09.02	TY.68760.04.02	B	59+0,03	171,576-0,06	196	340	60	Ø82x2x30°x40	30°	Ø59x167,7

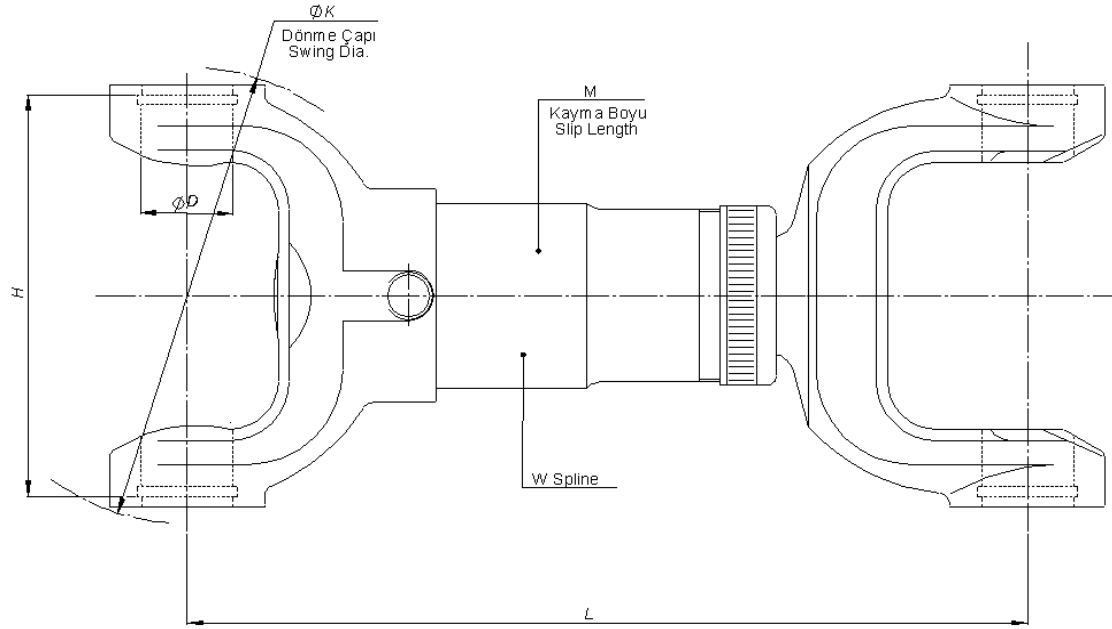
68765	SA.68765.04.02	-	A	65+0,03	177,176-0,06	204	303	70	Ø90x2,5x30°x34	15°	Ø65x172
	SA.68765.06.02	-	A	65+0,03	177,176-0,06	204	313	70	Ø90x2,5x30°x34	15°	Ø65x172
	SA.68765.14.02	TY.68765.05.02	B	65+0,03	177,176-0,06	204	460	110	Ø90x2,5x30°x34	25°	Ø65x172
	SA.68765.15.02	TY.68765.05.02	B	65+0,03	177,176-0,06	204	447	110	Ø90x2,5x30°x34	25°	Ø65x172



ÖLÇÜ VE RESİMLER BAĞLAYICI OLMAYIP, BİLDİRMEKSİZİN DEĞİŞTİRİLEBİLİR
 DIMENSIONS AND ILLUSTRATIONS ARE SUBJECT TO CHANGE, AND WE RESERVE THE RIGHT TO INTRODUCE MODIFICATIONS WITHOUT PRIOR NOTICE



SAE TİP KISA KARDAN MİLİ KAYICI TAKIMI SAE TYPE SHORT COUPLE SPLINED ASSEMBLY



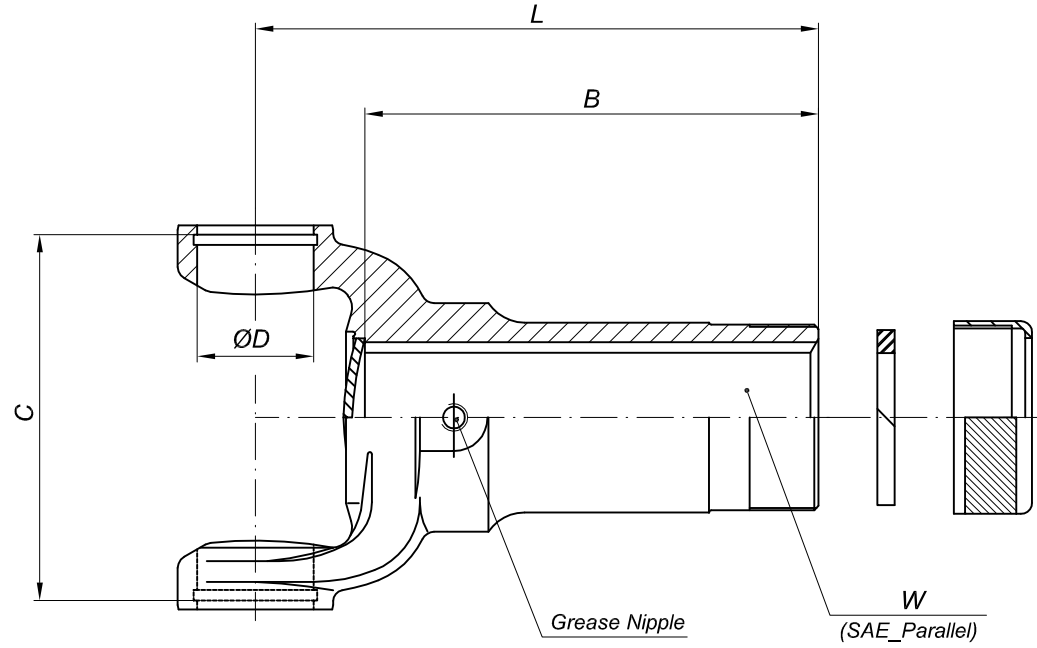
SERİ/SERIE	ØD	H	ØK	* L±2	M	W	MAFSAL AÇISI/JOINT ANGLE	İSTAVROZ/U.JOINT
01140	23,825-0,018	64,26-0,05	76,2	156	43	Ø26,9x16C	15°	Ø23,8x61,2
01300	27-0,018	77,57-0,05	90,5	182	45	Ø38,1x16C	17°	Ø27x74,6
01310	27-0,018	84,78-0,05	96,8	196	50,8	Ø34,9x16C	20°	Ø27x81,8
01410	30,175-0,018	109,25+0,05	122	251	57	Ø38,1x16C	20°	Ø30,2x106,3
01480	34,925-0,018	109,296-0,05	124,7	205	42	Ø44,45x16C	20°	Ø30,2x106,3
01510-1630	39,68-0,018	119,35-0,05	136	331	75	Ø50,8x16C	20°	Ø30,2x106,3

* L±2 boyu yapılabilecek en uzun boydur. Müşteri talebine göre kısaltılabilir.

* Max. length in production L±2 length could be shortened according to customer request.



KAYICI ÇATAL SLEEVE YOKE



ÖLÇÜ VE RESİMLER BAĞLAYICI OLMAYIP, BİLDİRMEKSİZİN DEĞİŞTİRİLEBİLİR
DIMENSIONS AND ILLUSTRATIONS ARE SUBJECT TO CHANGE, AND WE RESERVE THE RIGHT TO INTRODUCE MODIFICATIONS WITHOUT PRIOR NOTICE



KAYICI ÇATAL SLEEVE YOKE

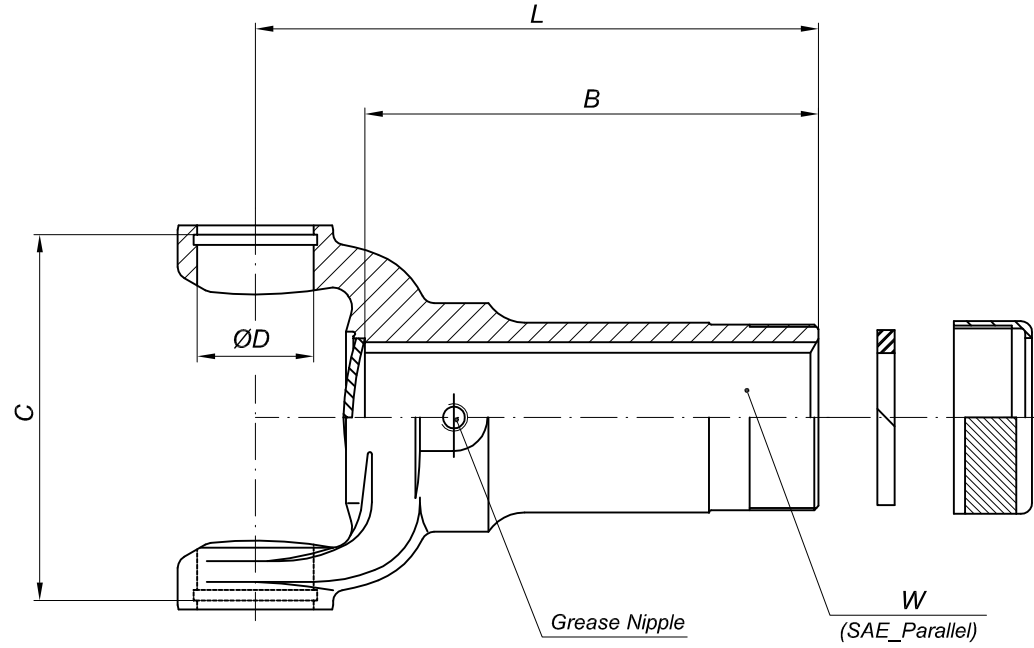
SERİ SERIE	PARÇA NO PART NO	ØD	B	L	C	MAFSAL AÇISI JOINT ANGLE	W SPLINE	İSTAVROZ U.JOINT
68730	SY.68730.01.02	35 ^{+0,025}	139	172	109,296 ^{-0,05}	20°	SAE Ø44,45x16C	Ø35x106,4
	SY.68730.02.02	35 ^{+0,025}	127	204	106,895 ^{-0,05}	28°	JIS Ø40x22x1,667	Ø35x104
01140	SY.01140.01.02	23,825 ^{-0,018}	88,2	109,5	64,26 ^{-0,05}	15°	SAE Ø26,9x16C	Ø23,825x61,2
	SY.01140.09.02	23,825 ^{-0,018}	64,6	85,8	64,26 ^{-0,05}	15°	SAE Ø26,9x16C	Ø23,825x61,2
	SY.01140.28.02	23,825 ^{-0,018}	103,3	131	64,26 ^{-0,05}	15°	DIN N27x1,5x30°x16	Ø23,825x61,2
01300	SY.01300.01.02	27 ^{-0,018}	111,6	137	77,57 ^{-0,05}	17°	SAE Ø34,9x16C	Ø27x74,6
	SY.01300.04.02	27 ^{-0,018}	129,1	155,5	77,57 ^{-0,05}	17°	SAE Ø38,1x16C	Ø27x74,6
01310	SY.01310.01.02	27 ^{-0,018}	111,6	137	84,78 ^{-0,05}	20°	SAE Ø34,9x16C	Ø27x81,8
	SY.01310.02.02	27 ^{-0,018}	163	208	84,78 ^{-0,05}	30°	SAE Ø34,9x16C	Ø27x81,8
	SY.01310.03.02	27 ^{-0,018}	121	166	84,78 ^{-0,05}	20°	SAE Ø34,9x16C	Ø27x81,8
	SY.01310.04.02	27 ^{-0,018}	58,1	83,5	84,78 ^{-0,05}	20°	SAE Ø34,9x16C	Ø27x81,8
	SY.01310.05.02	27 ^{-0,018}	130,1	155,5	84,78 ^{-0,05}	20°	SAE Ø38,1x16C	Ø27x81,8
	SY.01310.08.02	27 ^{-0,018}	123,5	168,5	84,78 ^{-0,05}	30°	SAE Ø34,9x16C	Ø27x81,8
	SY.01310.09.02	27 ^{-0,018}	120,6	146	84,78 ^{-0,05}	20°	SAE Ø34,9x16C	Ø27x81,8
	SY.01310.10.02	27 ^{-0,018}	163	208	84,78 ^{-0,05}	20°	SAE Ø34,9x16C	Ø27x81,8
	SY.01310.11.02	27 ^{-0,018}	75,6	101	84,78 ^{-0,05}	20°	SAE Ø34,9x16C	Ø27x81,8
	SY.01310.12.02	27 ^{-0,018}	109,2	137,5	84,78 ^{-0,05}	20°	SAE Ø34,9x16C	Ø27x81,8
SY.01310.17.02	27 ^{-0,018}	105,1	130,5	84,78 ^{-0,05}	20°	SAE Ø34,9x16C	Ø27x81,8	



ÖLÇÜ VE RESİMLER BAĞLAYICI OLMAYIP, BİLDİRMEKSİZİN DEĞİŞTİRİLEBİLİR
DIMENSIONS AND ILLUSTRATIONS ARE SUBJECT TO CHANGE, AND WE RESERVE THE RIGHT TO INTRODUCE MODIFICATIONS WITHOUT PRIOR NOTICE



KAYICI ÇATAL SLEEVE YOKE



ÖLÇÜ VE RESİMLER BAĞLAYICI OLMAYIP, BİLDİRMEKSİZİN DEĞİŞTİRİLEBİLİR
DIMENSIONS AND ILLUSTRATIONS ARE SUBJECT TO CHANGE, AND WE RESERVE THE RIGHT TO INTRODUCE MODIFICATIONS WITHOUT PRIOR NOTICE



KAYICI ÇATAL SLEEVE YOKE

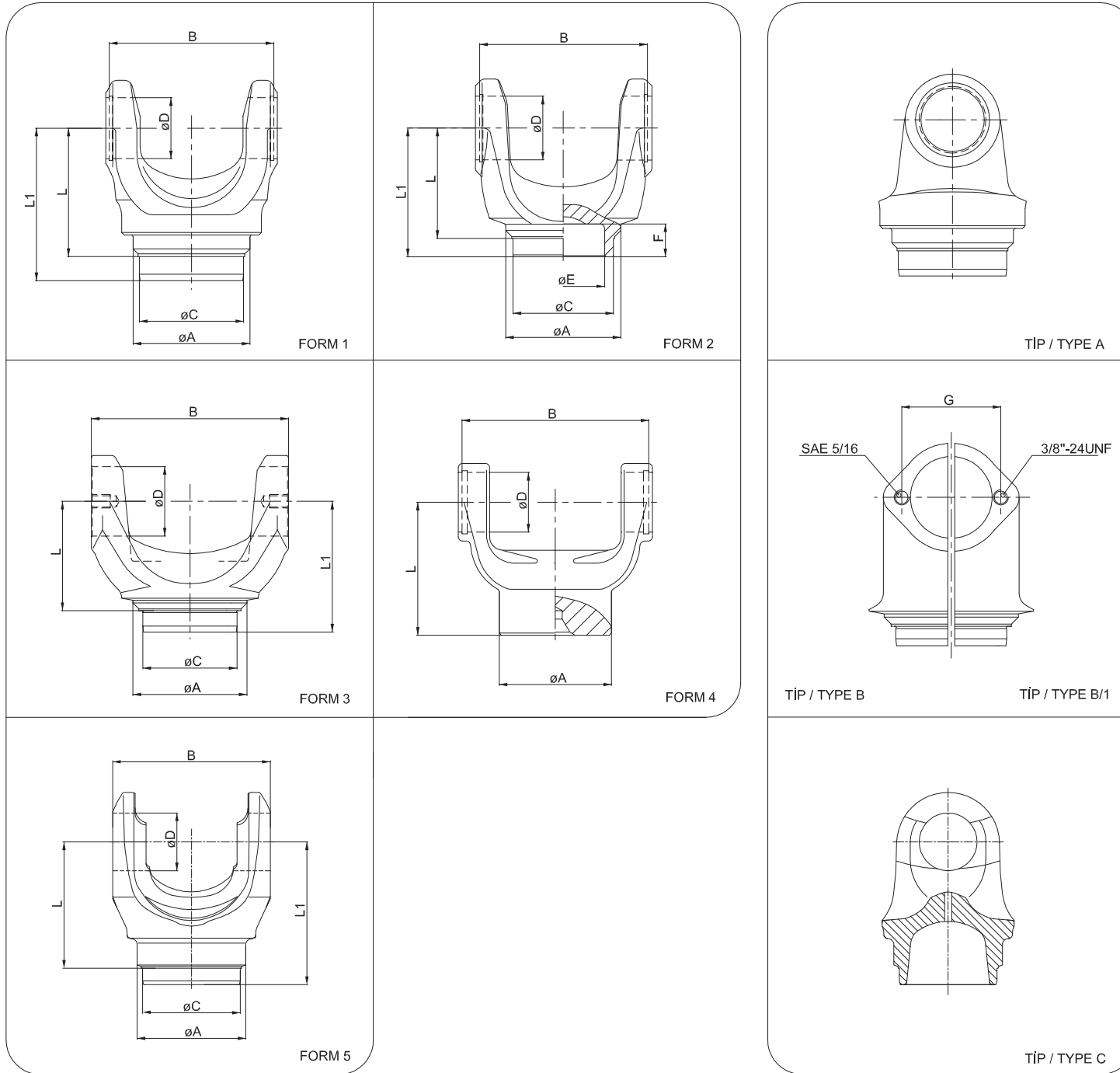
SERİ SERIE	PARÇA NO PART NO	ØD	B	L	C	MAFSAL AÇISI JOINT ANGLE	W SPLINE	İSTAVROZ U.JOINT
01410	SY01410.01.02	30,175 ^{-0,018}	138	168	109,30 ^{-0,05}	20°	SAE Ø38,1x16C	Ø30,175x106,3
	SY.01410.02.02	30,175 ^{-0,018}	160,3	203,2	109,30 ^{-0,05}	30°	SAE Ø38,1x16C	Ø30,175x106,3
	SY.01410.10.02	30,175 ^{-0,018}	119,5	149,5	109,30 ^{-0,05}	20°	SAE Ø38,1x16C	Ø30,175x106,3
	SY.01410.11.02	30,175 ^{-0,018}	101,6	131,6	109,30 ^{-0,05}	20°	SAE Ø38,1x16C	Ø30,175x106,3
	RY.01410.02.02	30,175 ^{-0,018}	120	150	109,30 ^{-0,05}	20°	SAE Ø34,9x16C	Ø30,175x106,3
01480	SY.01480.01.02	34,925 ^{-0,018}	139	172	109,296 ^{-0,05}	20°	SAE Ø44,45x16C	Ø76,2x2,4
01510	SY.01510.01.02	39,68 ^{-0,018}	127	171	119,35 ^{-0,06}	20°	SAE Ø44,45x16C	Ø39,68x115,8
	SY.01510.03.02	39,68 ^{-0,018}	104	148	119,265 ^{-0,06}	20°	SAE Ø44,45x16C	Ø39,68x115,8
01550	SY.01550.01.02	34,925 ^{-0,018}	143	175	129,220 ^{-0,05}	20°	SAE Ø44,45x16C	Ø34,925x126,1
01630	SY.01630.01.02	39,68 ^{-0,018}	210,3	270	119,265 ^{-0,06}	35°	SAE Ø50,8x16C	Ø39,68x115,8
	SY.01630.02.01	39,68 ^{-0,018}	187,3	246	119,265 ^{-0,06}	35°	SAE Ø50,8x16C	Ø39,68x115,8



ÖLÇÜ VE RESİMLER BAĞLAYICI OLMAYIP, BİLDİRMEKSİZİN DEĞİŞTİRİLEBİLİR
DIMENSIONS AND ILLUSTRATIONS ARE SUBJECT TO CHANGE, AND WE RESERVE THE RIGHT TO INTRODUCE MODIFICATIONS WITHOUT PRIOR NOTICE



TÜP ÇATAL / TUBE YOKE

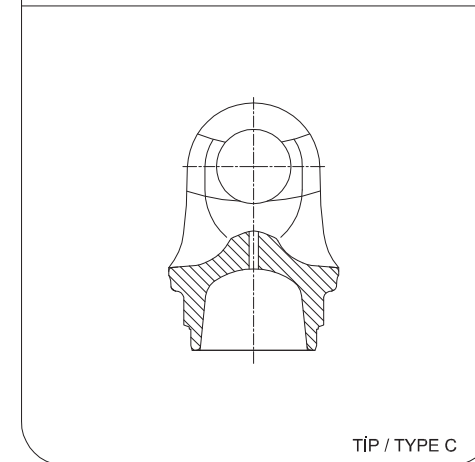
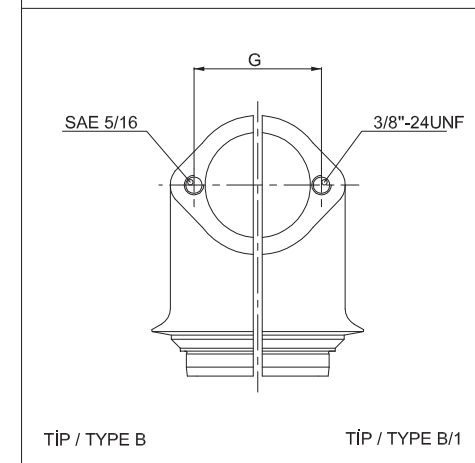
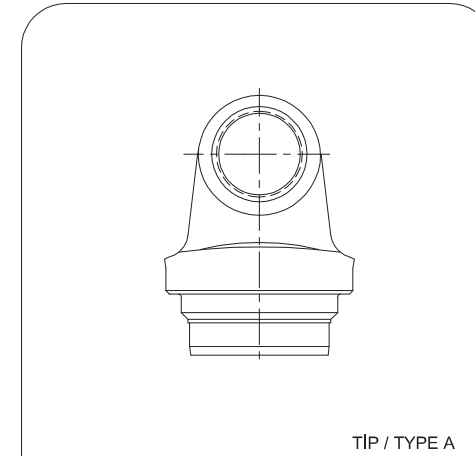
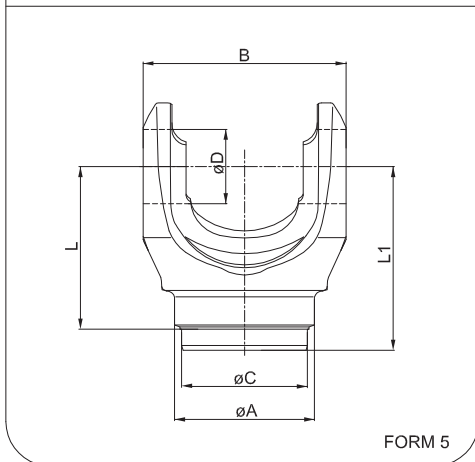
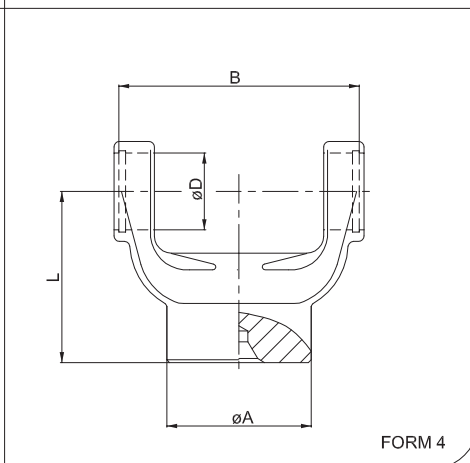
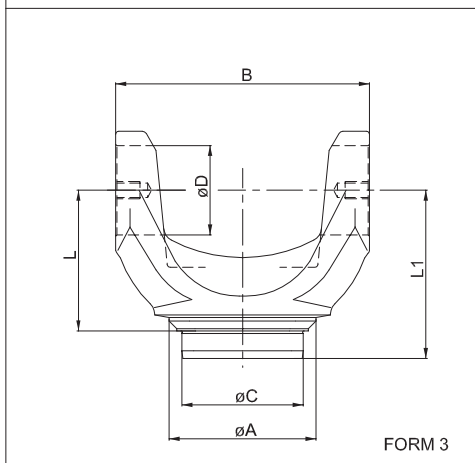
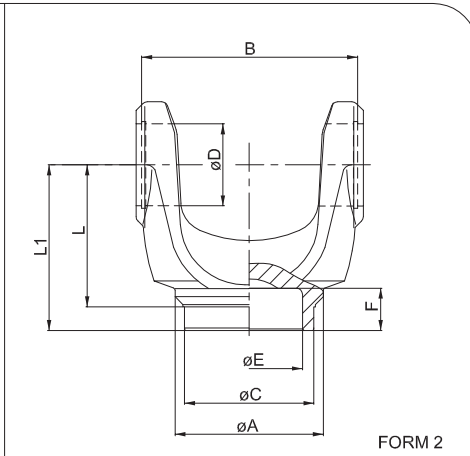
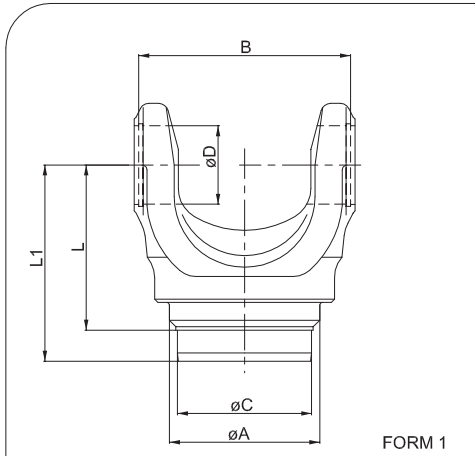


TÜP ÇATAL TUBE YOKE

SERİ SERIE	PARÇA NO PART NO	FORM TYPE	ØA	B	ØC	ØD	ØE	F	G	L	L1	BORU TUBE
00385	TY.00385.01.02	1A	92	129,476	82,3	48	-	-		101	120	Ø92x5
	TY.00385.05.02	1A	92	129,476	82,3	48	-	-		101	120	Ø92x5
	TY.00385.09.02	2A	92	129,476	80	48	68	30		87	105	—
	TY.00385.10.02	1A	92	123,876	84,3	45	-	-		101	120	Ø92x4
00389	TY.00389.01.02	1A	100	138,9	90	53	-	-		116	135	Ø100x5
	TY.00389.02.02	1A	100	138,976	92,3	53	-	-		103	126	Ø100x4
	TY.00389.04.02	1A	92	138,976	79,3	53	-	-		100	126	Ø92x6,5
	TY.00389.05.02	1A	92	138,976	82,3	53	-	-		100	126	Ø92x5
	TY.00389.06.02	1A	100	138,976	90,3	53	-	-		103	126	Ø100x5
	TY.00389.07.02	1A	100	138,976	88,3	53	-	-		103	126	Ø100x6
48161	TY.48161.01.02	1A	100	164,46	88,3	48	-	-		112	133,5	Ø100x6
	TY.48161.02.02	1A	100	164,46	90,3	48	-	-		112	133,5	Ø100x5
57164	TY.57164.01.02	1A	110	167,96	98,3	57	-	-		120	142	Ø110x6
	TY.57164.02.02	1A	108	167,96	97,3	57	-	-		120	142	Ø108x5,5
58710	TY.58710.01.02	2A	70	99,696	63,15	35	47,5	33		70	85	—
	TY.58710.02.02	4A	70	99,696	64,1	35	-	-		70	88,5	Ø70x3
58730	TY.58730.01.02	1A	100	136,976	92,3	52	-	-		100	126	Ø100x4
	TY.58730.03.02	1A	92	136,976	82,3	52	-	-		100	126	Ø92x5
	TY.58730.12.02	1A	100	136,976	88,3	52	-	-		100	126	Ø100x6
	TY.58730.13.02	1A	100	136,976	90,3	52	-	-		100	126	Ø100x5
	TY.58730.50.02	1A	92	136,976	79,3	52	-	-		100	126	Ø92x6,5
58735	TY.58735.01.02	1A	104	147,976	92,3	57	-	-		103	132	Ø104x6
	TY.58735.02.02	1A	110	147,976	98,3	57	-	-		103	132	Ø110x6
	TY.58735.03.02	1A	120	147,976	112,3	57	-	-		100	116	Ø120x4
	TY.58735.06.02	1A	110	147,976	100,3	57	-	-		103	132	Ø110x5
	TY.58735.07.02	1A	100	147,976	88,3	57	-	-		103	132	Ø100x6
	TY.58735.09.02	1A	100	147,976	90,3	57	-	-		103	132	Ø100x5



TÜP ÇATAL / TUBE YOKE



TÜP ÇATAL TUBE YOKE

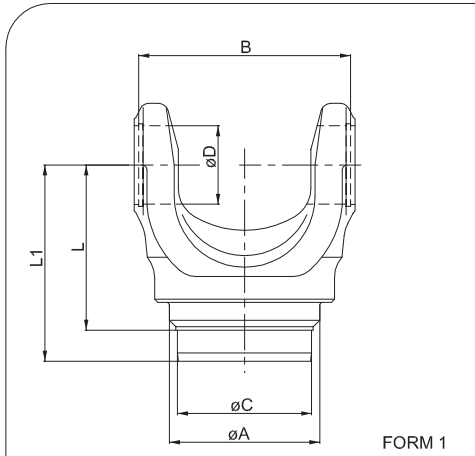
SERİ SERIE	PARÇA NO PART NO	FORM TYPE	ØA	B	ØC	ØD	ØE	F	G	L	L1	BORU TUBE
58742	TY.58742.02.02	1A	110	156,176	98,3	57	-	-		90	110	Ø110x6
	TY.58742.04.02	2A	110	156,176	98	57	82	30,5		90	107,5	—
58750	TY.58750.01.02	1A	143,7	189,75	130,3	72	-	-		144	166	Ø140x5 Ø142x6 Ø144x7
58755	TY.58755.01.02	1A	168,8	222	155	74	-	-		150	164	Ø168,8x7,3
385-60	TY.68095.01.02	5C	140	158	130	68	-	-		145	165	Ø140x5
	TY.68095.02.02	5C	110	158,5	100	68	-	-		126	145	Ø110x5
68715	TY.68715.01.02	1A	52	77,57	45,3	27	-	-		50	65	Ø52x3,5
	TY.68715.02.02	1A	63,5	77,57	59	27	-	-		50	65	Ø63,5x2,41
68720	TY.68720.01.02	1A	76,2	84,78	73,3	30,175	-	-		53	70	Ø76,2x1,6
	TY.68720.02.02	1A	76,2	84,78	71,7	30,175	-	-		53	70	Ø76,2x2,4
	TY.68720.03.02	1A	60	84	54,3	30	-	-		53	68	Ø60x3
	TY.68720.04.02	1A	60	84,78	54,3	30,175	-	-		53	68	Ø60x3
	TY.68720.05.02	1A	60	84,98	54,3	30	-	-		53	68	Ø60x3
	TY.68720.07.02	1A	70	84,78	66,3	30,175	-	-		59,5	70	Ø70x2
	TY.12620.01.02	1A	70	84,78	64,3	30,175	-	-		53	70	Ø70x3
	TY.12620.03.02	1A	70	84,78	65,5	30,175	-	-		53	70	Ø70x2,4
TY.12620.04.02	1A	70	84,78	66,3	30,175	-	-		53	70	Ø70x2	
68725	TY.68725.01.02	1A	88,9	94,896	84,4	35	-	-		57	71	Ø88,9x2,4
	TY.68725.02.02	1A	76,2	94,896	71,7	35	-	-		57	71	Ø76,2x2,4
68730	TY.68730.08.02	1A	90	109,296	84,3	34,925	-	-		65	85	Ø90x3
	TY.68730.11.02	1A	80	109,296	73,3	34,925	-	-		65	85	Ø80x3,5
68731	TY.68730.01.02	1A	88,9	109,296	84,4	35	-	-		65	80	Ø88,9x2,4
	TY.68730.02.02	1A	76,2	109,296	71,7	35	-	-		54	75	Ø76,2x2,4
	TY.68730.03.02	1A	88,9	109,296	78	35	-	-		60	69	—
	TY.68730.04.02	1A	90	106,895	83,9	35	-	-		60,5	76	Ø90x3,2
	TY.68730.07.02	1A	88,9	109,296	78	35	-	-		65	74	—
	TY.68730.10.02	1A	90	109,296	83,9	35	-	-		65	80	Ø90x3,2



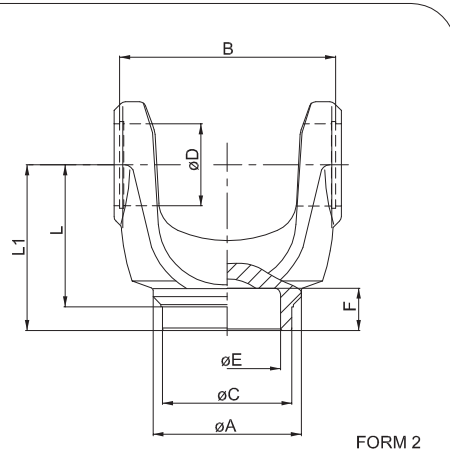
ÖLÇÜ VE RESİMLER BAĞLAYICI OLMAYIP, BİLDİRMEKSİZİN DEĞİŞTİRİLEBİLİR
DIMENSIONS AND ILLUSTRATIONS ARE SUBJECT TO CHANGE, AND WE RESERVE THE RIGHT TO INTRODUCE MODIFICATIONS WITHOUT PRIOR NOTICE



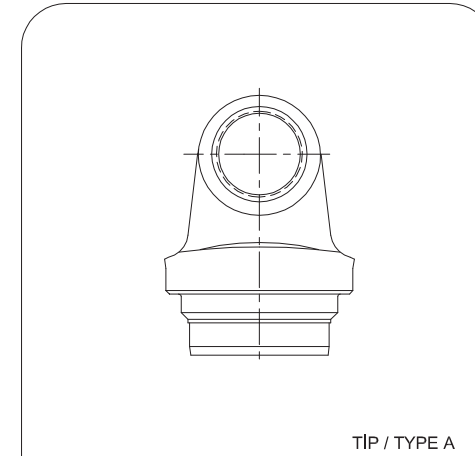
TÜP ÇATAL / TUBE YOKE



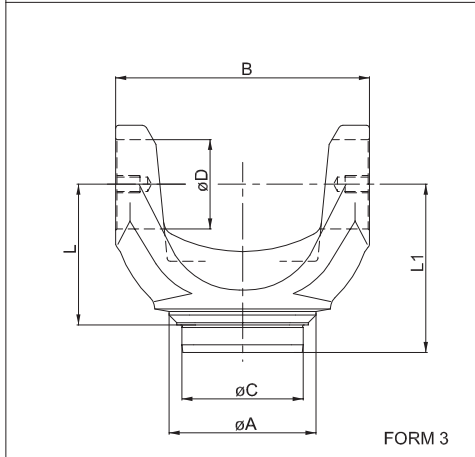
FORM 1



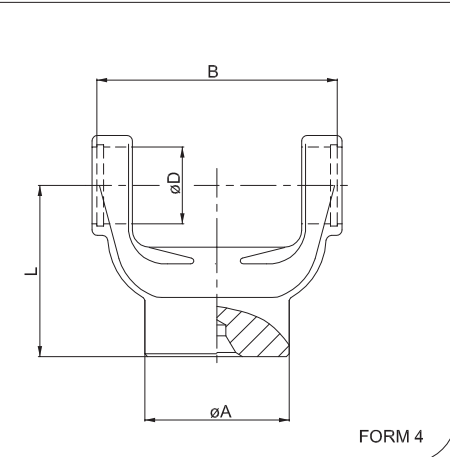
FORM 2



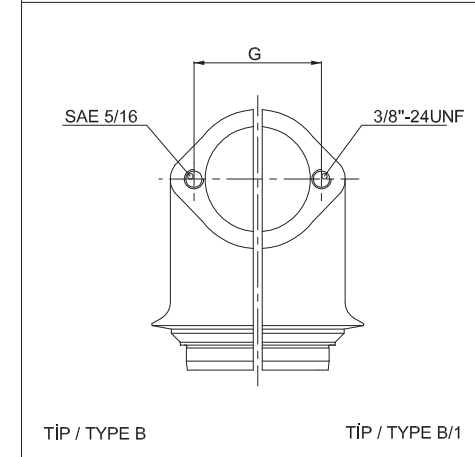
TİP / TYPE A



FORM 3

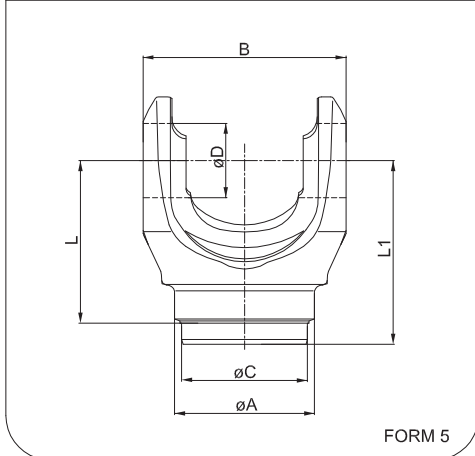


FORM 4

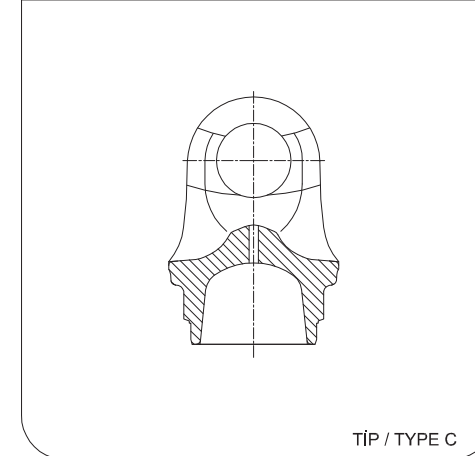


TİP / TYPE B

TİP / TYPE B/1



FORM 5



TİP / TYPE C

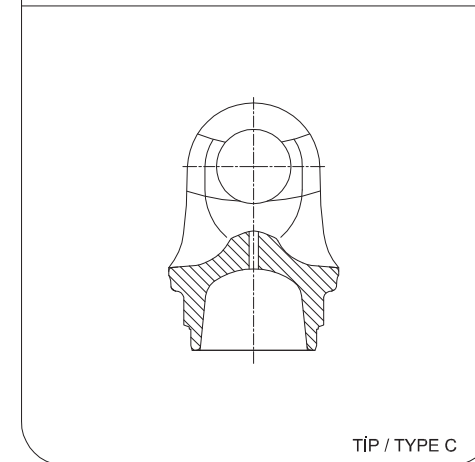
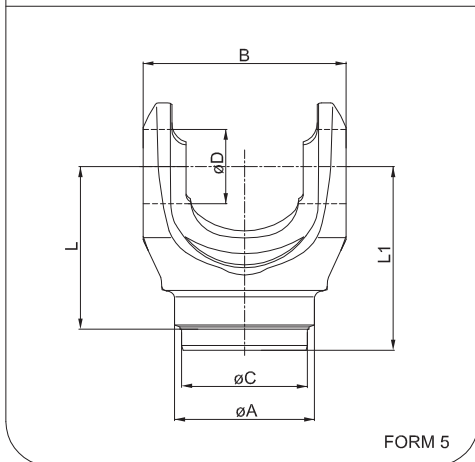
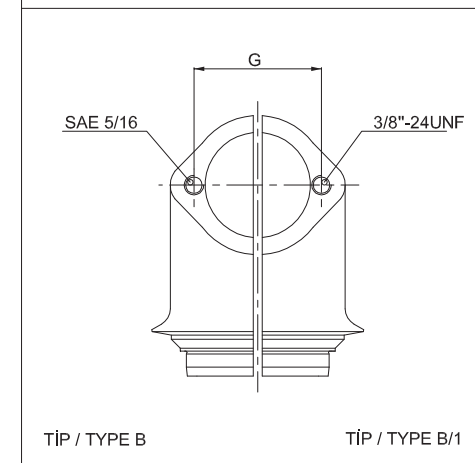
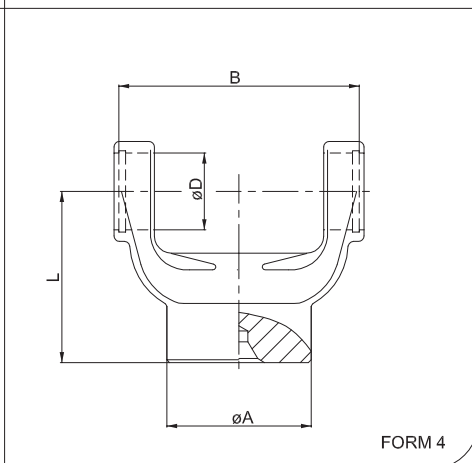
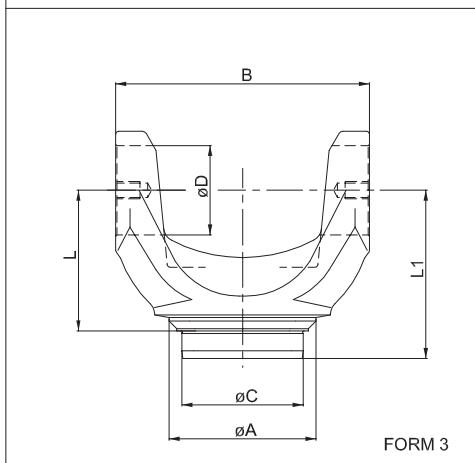
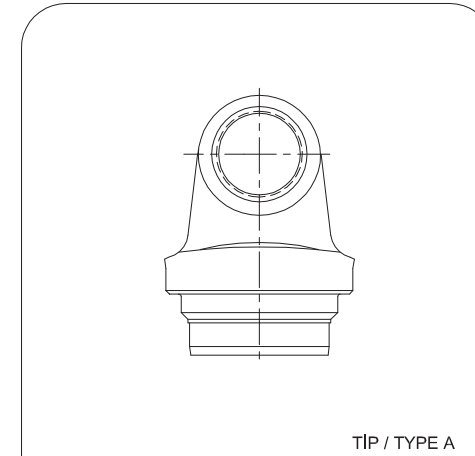
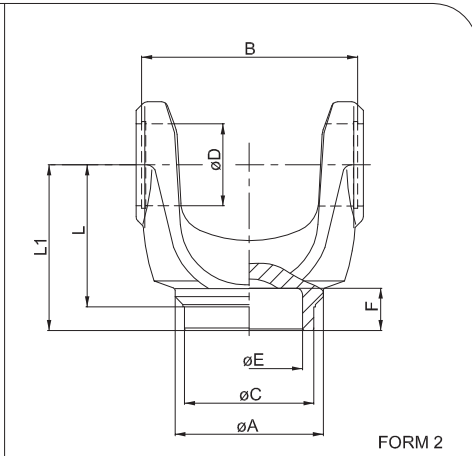
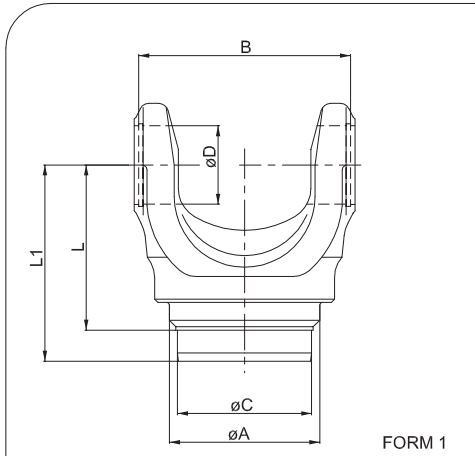


TÜP ÇATAL TUBE YOKE

SERİ SERIE	PARÇA NO PART NO	FORM TYPE	ØA	B	ØC	ØD	ØE	F	G	L	L1	BORU TUBE
68735	TY.68735.01.02	1A	100	123	94,3	42	-	-		70	90	Ø100x3
68740	TY.68740.02.02	1A	100	138,676	92,3	47,64	-	-		100	122	Ø100x4
	TY.68740.04.02	1A	120	138,676	112,3	47,64	-	-		87	105	Ø120x4
	TY.68740.06.02	1A	120	138,676	114,3	47,64	-	-		87	105	Ø120x3
	TY.68740.15.02	1A	100	138,676	91,3	47,64	-	-		100	122	Ø100x4,5
	TY.68740.18.02	1A	120	138,676	110	47,64				87	105	—
	TY.68740.21.02	1A	100	138,676	91	47,64	-	-		100	115	—
68741	TY.68740.01.02	1A	100	138,676	92,3	48	-	-		100	122	Ø100x4
	TY.68740.03.02	1A	120	138,676	112,3	48	-	-		87	105	Ø120x4
	TY.68740.05.02	1A	120	138,676	114,3	48	-	-		87	105	Ø120x3
	TY.68740.07.02	1A	120	138,676	110	48	-	-		87	105	—
	TY.68740.09.02	1A	100	138,676	91	48	-	-		100	115	—
	TY.68740.11.02	1A	100	138,676	91,3	48	-	-		100	122	Ø100x4,5
	TY.68740.12.02	1A	90	138,676	82,3	48	-	-		100	122	Ø90x4
	TY.68740.16.01	2A	—	138,676	91	48	70	14		87	101	—
	TY.68740.17.02	1A	120	138,676	110	48	-	-		82	95	—
	TY.68740.19.02	1A	100	138,676	92,3	48	-	-		87	119	Ø100x4
	TY.68740.20.02	1A	103,9	138,676	95,123	48	-	-		88	110	—
	TY.68740.22.02	1A	100	138,676	92,3	48	-	-		100	122	Ø100x4
68745	TY.68745.02.02	1A	110	151,176	98,3	52	-	-		100	120	Ø110x6
	TY.68745.03.02	1A	120	151,176	112,3	53	-	-		95	120	Ø120x4
	TY.68745.04.02	1A	110	151,176	100,3	52	-	-		100	120	Ø110x5
	TY.68745.05.02	1A	120	151,176	105	52	-	-		95	110	—
	TY.68745.07.02	1A	120	151,176	105	53	-	-		100	115	—
	TY.68745.09.02	1A	120	151,176	105	53	-	-		95	105	—
	TY.68745.11.02	1A	120	151,176	112,3	52	-	-		95	120	Ø120x4
	TY.68745.12.02	1A	120	151,176	112,3	53	-	-		90	105	Ø120x4
	TY.68745.13.02	1A	120	151,176	105	53	-	-		92	102	—
	TY.68745.14.02	1A	120	151,176	105	52	-	-		91	116	—
	TY.68745.15.02	1A	120	151,176	105	52	-	-		95	115	—
	TY.68745.16.02	1A	120	151,176	114,3	52	-	-		95	120	Ø120x3



TÜP ÇATAL / TUBE YOKE



TÜP ÇATAL TUBE YOKE

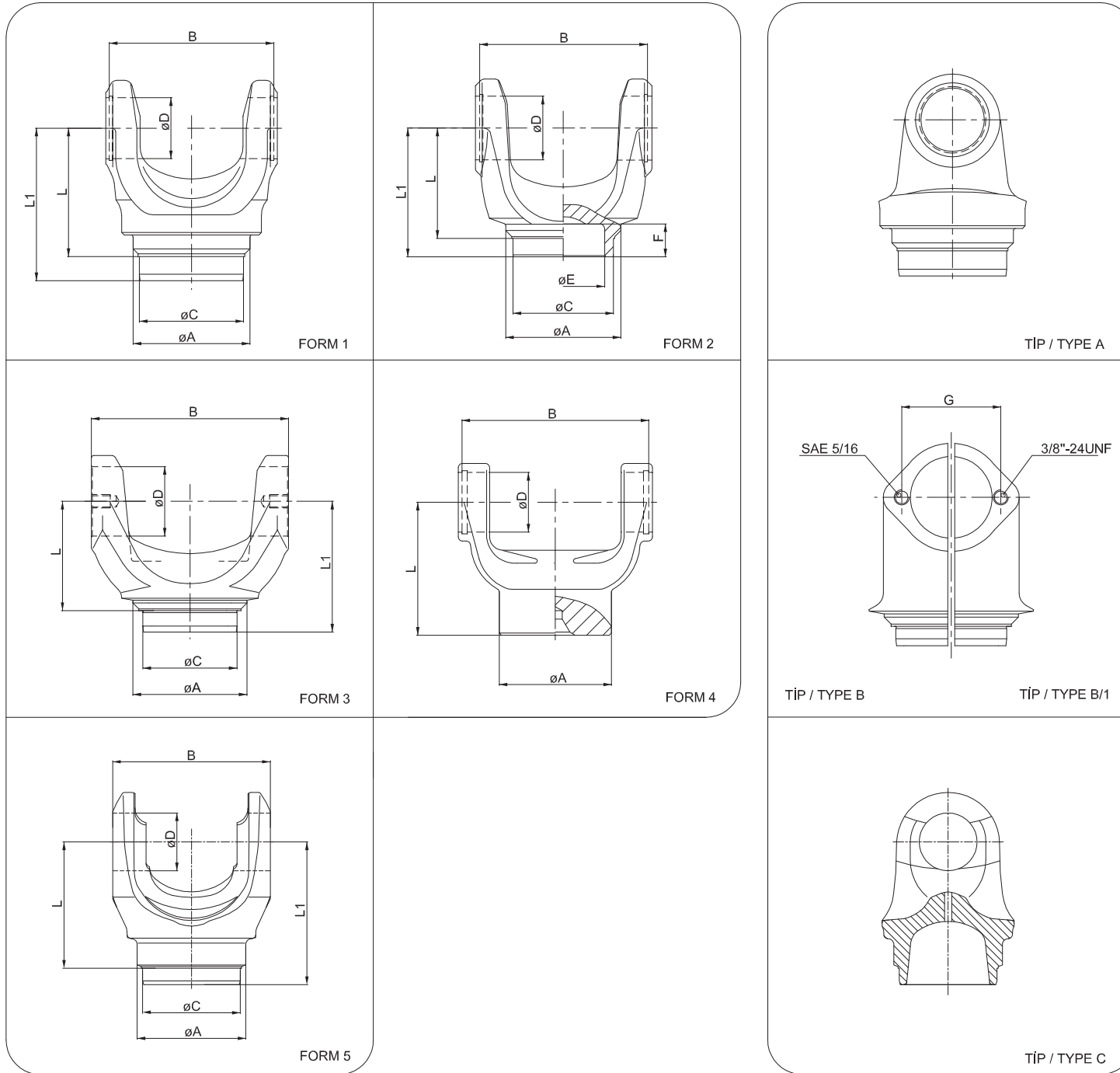
SERİ SERIE	PARÇA NO PART NO	FORM TYPE	ØA	B	ØC	ØD	ØE	F	G	L	L1	BORU TUBE
68755	TY.68755.03.02	1A	120	156,176	112,3	57	-	-		95	114	Ø120x4
	TY.68755.04.01	1A	110	156,176	96	57	-	-		100	116	—
	TY.68755.05.02	1A	120	156,176	108,3	57	-	-		100	116	Ø120x6
	TY.68755.06.02	1A	110	156,176	100	57	-	-		100	116	Ø110x5
	TY.68755.10.02	1A	120	156,176	108,3	57	-	-		90	116	Ø120x6
	TY.68755.11.02	1A	116	156,176	100	57	-	-		107	126	—
	TY.68755.12.02	1A	120	156,176	108,3	57	-	-		100	116	Ø120x6
	TY.68755.13.02	1A	110	156,176	98,3	57	-	-		100	116	Ø110x6
	TY.68755.14.02	1A	114,5	156,176	100	57	-	-		112,5	131,5	—
	TY.68755.16.01	1A	120	156,176	102	57	-	-		100	116	—
	TY.68755.17.02	1A	110	156,176	98,3	57	-	-		100	116	Ø110x6
	TY.68755.18.02	2A	120	156,16	107	57	91,6	18,7		103	113,5	—
	TY.68755.19.01	1A	120	156,176	102	57	-	-		92	108	—
	TY.68755.20.02	1A	120	156,176	106	57	-	-		100	121	—
	TY.68755.21.02	1A	115	156,176	100	57	-	-		107,5	127	—
	TY.68755.22.02	1A	114,5	156,176	100	57	-	-		112,5	131,5	—
	TY.68755.23.02	2A	120	156,176	106	57	81,5	35		115	136	—
	TY.68755.24.02	1A	120	161,15	108,3	59	-	-		85	110	Ø120x6
TY.68755.25.02	1A	120	156,176	108,3	57	-	-		105	126	Ø120x6	
68760	TY.68760.01.02	1A	130	171,576	118,3	59	-	-		105	128,5	Ø130x6
	TY.68760.02.02	1A	130	171,576	115	59	-	-		100	115	—
	TY.68760.03.02	1A	130	171,576	115	59	-	-		105	128,5	—
	TY.68760.04.02	1A	130	171,576	115	59	-	-		100	115	—
	TY.68760.05.02	1A	130	167,25	118,3	65	-	-		100	125	Ø130x6
68765	TY.68765.01.02	1A	142	177,176	130,3	65	-	-		116	141	Ø142x6 / Ø140x5
	TY.68765.02.02	1A	120	177,176	108,3	65	-	-		116	141	Ø120x6
	TY.68765.03.02	1A	142	177,176	130,3	65	-	-		116	141	Ø142x6 / Ø140x5
	TY.68765.05.02	1A	140	177,176	127	65	-	-		116	141	—



ÖLÇÜ VE RESİMLER BAĞLAYICI OLMAYIP, BİLDİRMEKSİZİN DEĞİŞTİRİLEBİLİR
DIMENSIONS AND ILLUSTRATIONS ARE SUBJECT TO CHANGE, AND WE RESERVE THE RIGHT TO INTRODUCE MODIFICATIONS WITHOUT PRIOR NOTICE



TÜP ÇATAL / TUBE YOKE



TÜP ÇATAL TUBE YOKE

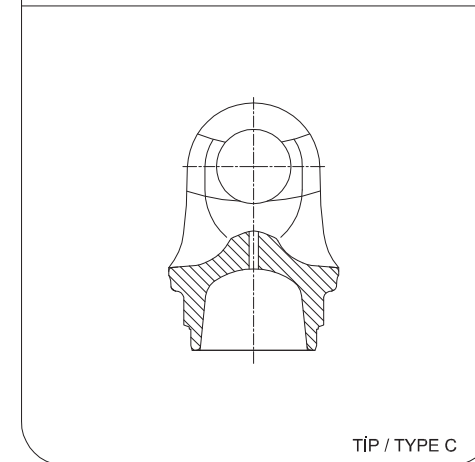
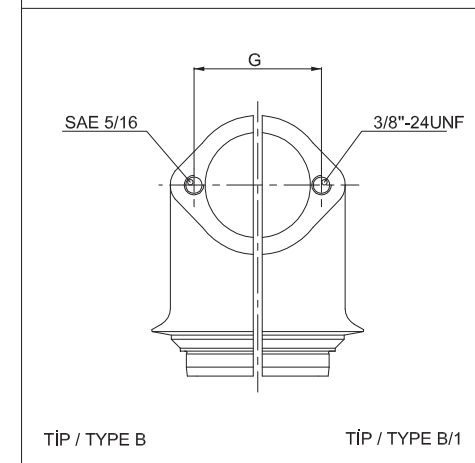
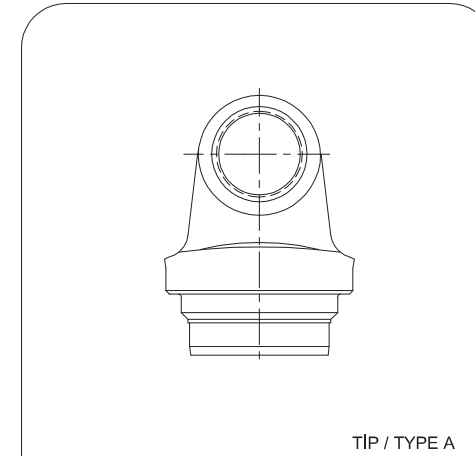
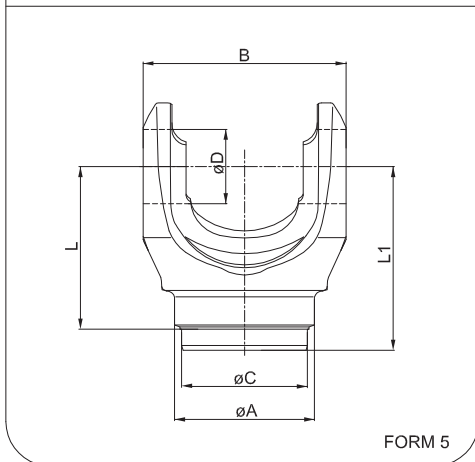
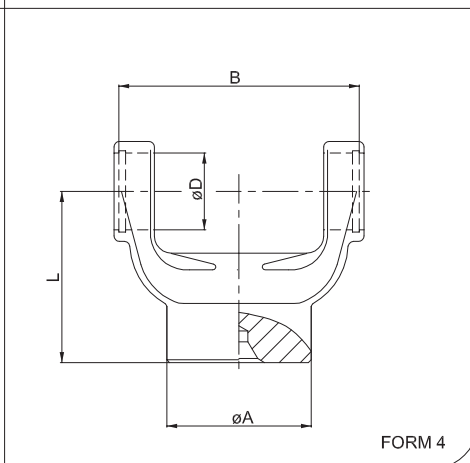
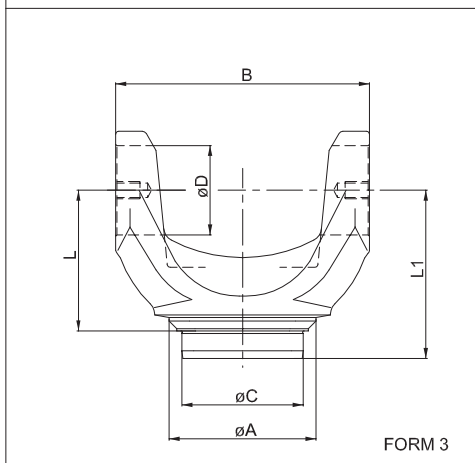
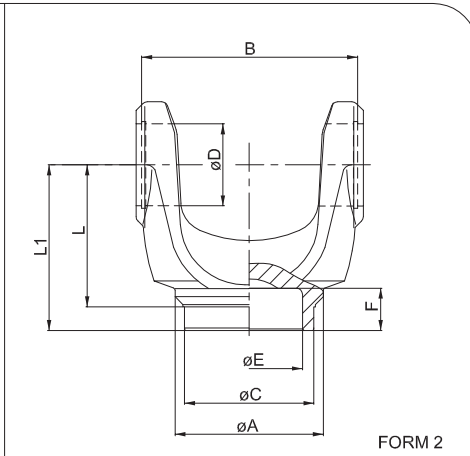
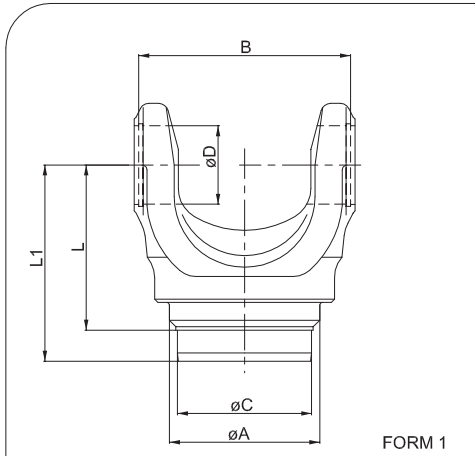
SERİ SERIE	PARÇA NO PART NO	FORM TYPE	ØA	B	ØC	ØD	ØE	F	G	L	L1	BORU TUBE
01140	TY.01140.01.02	1A	50,8	64,26	47,9	23,825	-	-		34,9	53	Ø50,8x1,6
	TY.01140.02.02	1A	63,5	64,26	60,6	23,825	-	-		36,5	52	Ø63,5x1,6
	TY.01140.03.02	1A	76,2	64,12	73,3	23,825	-	-		36,5	52	Ø76,2x1,6
	TY.01140.14.02	1A	50,8	64,26	46,3	23,825	-	-		34,9	53	Ø50,8x2,4
01300	TY.01300.01.02	1A	76,2	77,57	73,3	27	-	-		44,45	63,5	Ø76,2x1,6
	TY.01300.02.02	1A	50,8	77,57	46,3	27	-	-		44,4	63,5	Ø50,8x2,4
	TY.01300.03.02	1A	76,2	77,57	71,7	27	-	-		44,45	63,5	Ø76,2x2,4
	TY.01300.04.02	1A	63,5	77,57	60,6	27	-	-		44,45	63,5	Ø63,5x1,6
	TY.01300.05.02	1A	60	77,57	55,3	27	-	-		48	63,5	Ø60x2,5
	TY.01300.06.02	1A	76	77,57	71,2	27	-	-		44,45	63,5	Ø76x2,5
	TY.01300.09.02	1A	75	77,57	72,3	27	-	-		44,5	64	Ø75x1,5
	TY.01300.13.02	1A	50,8	77,57	48	27	-	-		44,4	63,5	Ø50,8x1,6
01310	TY.01310.01.02	1A	50,8	84,78	46,3	27	-	-		42,9	63	Ø50,8x2,4
	TY.01310.02.02	1A	70	84,78	66,3	27	-	-		49,2	63	Ø70x2
	TY.01310.03.02	1A	63,5	84,78	60,6	27	-	-		47	63	Ø63,5x1,6
	TY.01310.06.02	1A	76,2	84,78	73,3	27	-	-		42,9	64	Ø76,2x1,6
	TY.01310.12.02	1A	63,5	84,78	59	27	-	-		49,2	63	Ø63,5x2,4
	TY.01310.13.02	1A	76,2	84,78	73,3	27	-	-		44,45	64	Ø76,2x1,6
	TY.01310.16.02	1A	63,5	84,78	60,6	27	-	-		47	63,5	Ø63,5x1,6
	TY.01310.17.02	1A	76,2	84,78	71,7	27	-	-		44,45	64	Ø76,2x2,4
	TY.01310.20.02	1A	74,5	84,78	70,3	27	-	-		44,45	64	Ø74,5x2,25
	TY.01310.28.02	1A	72	84,78	66,15	27	-	-		44,45	56,5	-
TY.01310.30.02	1A	50,8	84,78	46,3	27	-	-		42,9	63	Ø50,8x2,4	
01350	TY.01350.01.02	1A	76,2	94,896	73,3	30,175	-	-		50,8	64	Ø76,2x1,6
	TY.01350.02.02	1A	76,2	94,896	72	30,175	-	-		50,8	64	Ø101,6x2,0 (Büzmelî)
01410	TY.01410.01.02	1A	76,2	109,3	71,7	30,175	-	-		54	70	Ø76,2x2,4
	TY.01410.02.02	1A	88,9	109,3	84,4	30,175	-	-		54	70	Ø88,9x2,4
	TY.01410.05.02	1A	70	109,3	66,3	30,175	-	-		54	70	Ø70x2,0
	TY.01410.06.02	1A	76	109,3	69,3	30,175	-	-		54	70	Ø76x3,5



ÖLÇÜ VE RESİMLER BAĞLAYICI OLMAYIP, BİLDİRMEKSİZİN DEĞİŞTİRİLEBİLİR
DIMENSIONS AND ILLUSTRATIONS ARE SUBJECT TO CHANGE, AND WE RESERVE THE RIGHT TO INTRODUCE MODIFICATIONS WITHOUT PRIOR NOTICE



TÜP ÇATAL / TUBE YOKE



TÜP ÇATAL TUBE YOKE

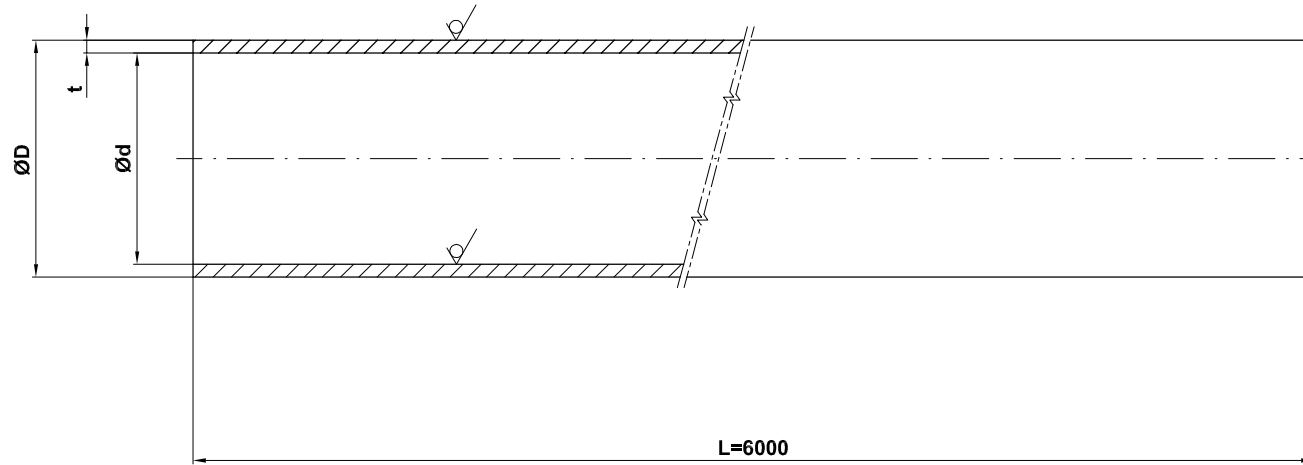
SERİ SERIE	PARÇA NO PART NO	FORM TYPE	ØA	B	ØC	ØD	ØE	F	G	L	L1	BORU TUBE
01480	TY.01480.01.02	1A	76,2	109,296	71,7	34,925	-	-		54	75	Ø76,2x2,4
	TY.01480.04.02	1A	88,9	109,296	84,4	34,925	-	-		65	80	Ø88,9x2,4
01510	TY.01510.01.02	1A	88,9	119,265	84,4	39,68	-	-		71,4	95,5	Ø88,9x2,4
	TY.01510.02.02	1A	76,2	119,265	71,7	39,68	-	-		71,4	92	Ø76,2x2,4
	TY.01510.04.02	1A	88,9	119,265	82,3	39,68	-	-		71,4	95,5	Ø88,9x3,5
	TY.01510.11.02	1A	90	119,265	80,3	39,68	-	-		71,4	95,5	Ø90x5
	TY.01510.12.02	1A	90	119,265	82,3	39,68	-	-		71,4	95,5	Ø90x4
01550	TY.01550.01.02	1A	88,9	129,22	84,4	34,925	-	-		55	77	Ø88,9x2,4
01600	TY.01600.01.02	3B	-	134,92	83,26	47,64	-	-	58,8	81	106	Ø88,9x3
	TY.01600.02.02	1A	90	135,67	80,3	47	-	-		81	96	Ø90x5
	TY.01600.05.02	4A	90	135,67	80,3	48	-	-		81,4	106	Ø90x5
01630	TY.01630.01.02	1A	90	119,35	82,3	39,68	-	-		81	107	Ø90x4
	TY.01630.02.02	1A	90	119,35	80,3	39,68	-	-		81	107	Ø90x5
	TY.01630.03.02	1A	90	119,35	83,3	39,68	-	-		81	107	Ø90x3,5
	TY.01630.04.02	1A	88,9	119,35	82,84	39,68	-	-		81	107	Ø88,9x3,18
01800	TY.01800.01.02	3B/1	-	167,49	98,3	59	-	-	71,5	93	116	Ø110x6
	TY.01800.02.02	3B/1	90	167,49	80,3	59	-	-	71,5	92,2	116	Ø90x5
	TY.01800.03.02	3B/1	88,9	167,49	82,85	59	-	-	71,5	92,2	116	Ø88,9x3,175
	TY.01800.05.02	3B/1	88,9	167,49	79,6	59	-	-	71,5	92,2	116	Ø88,9x4,8



ÖLÇÜ VE RESİMLER BAĞLAYICI OLMAYIP, BİLDİRMEKSİZİN DEĞİŞTİRİLEBİLİR
DIMENSIONS AND ILLUSTRATIONS ARE SUBJECT TO CHANGE, AND WE RESERVE THE RIGHT TO INTRODUCE MODIFICATIONS WITHOUT PRIOR NOTICE



KARDAN MİLİ BORUSU (DİKİŞ KAYNAKLI)
TUBE (WELDED PRECISION)



Specification; DIN 10305-2 E355+C
TİRSAN TM067



ÖLÇÜ VE RESİMLER BAĞLAYICI OLMAYIP, BİLDİRMEKSİZİN DEĞİŞTİRİLEBİLİR
DIMENSIONS AND ILLUSTRATIONS ARE SUBJECT TO CHANGE, AND WE RESERVE THE RIGHT TO INTRODUCE MODIFICATIONS WITHOUT PRIOR NOTICE



KARDAN MİLİ BORUSU (DİKİŞ KAYNAKLI)
TUBE (WELDED PRECISION)

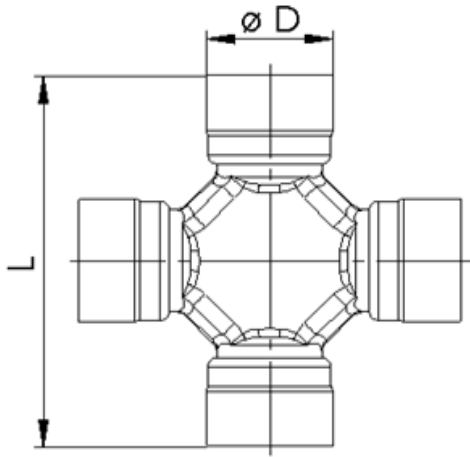
ANMA ÖLÇÜLERİ DIMENSIONS	TRS STOK KODU TRS STOCK CODE	TİP TYPE	ØD	t	Ød	AĞIRLIK WEIGHT (kg/m)	AKMA MUKAVEMET DEĞERLERİ STRENGTH VALUES						
							(STANDARD)				(HIGH STRENGTH)		
							Rm min.(Mpa)	Rm max.(Mpa)	Rp 0,2 min.(Mpa)	Hardness min.(HRB)	Rm min.(Mpa)	Rp 0,2 min.(Mpa)	Hardness min.(HRB)
Ø31,75 x 2,51	TU.03202.05.00	Standard	31,75	2,51	26,73	1,810	630	750	560	85-97	-	-	-
Ø40 x 2	TU.04002.07.00	High Strength	40	2	36	1,875	-	-	-	-	690	650	93-100
Ø50,8 x 1,63	TU.05001.01.00	Standard	50,8	1,63	47,54	1,976	630	750	560	85-97	-	-	-
Ø50,8 x 2,41	TU.05002.01.00	Standard	50,8	2,41	45,98	2,876	630	750	560	85-97	-	-	-
Ø52 x 3,5	TU.05203.01.00	Standard	52	3,5	45	4,186	630	750	560	85-97	-	-	-
Ø54 x 4	TU.05404.01.00	Standard	54	4	46	4,932	630	750	560	85-97	-	-	-
Ø60 x 3	TU.06003.01.00	Standard	60	3	54	4,300	630	750	560	85-97	-	-	-
Ø63,5 x 1,63	TU.06301.01.00	Standard	63,5	1,63	60,24	2,487	630	750	560	85-97	-	-	-
Ø63,5 x 2,11	TU.06302.07.00	High Strength	63,5	2,11	59,28	3,194	-	-	-	-	690	650	93-100
Ø63,5 x 3,5	TU.06303.01.00	Standard	63,5	3,5	56,5	5,179	630	750	560	85-97	-	-	-
Ø70 x 1,7	TU.07001.07.00	Standard	70	1,7	66,6	2,863	-	-	-	-	690	650	93-100
Ø70 x 2	TU.07002.01.00	Standard	70	2	66	3,354	630	750	560	85-97	-	-	-
Ø70 x 3	TU.07003.01.00	Standard	70	3	64	4,957	630	750	560	85-97	-	-	-
Ø76,2 x 1,63	TU.07601.01.00	Standard	76,2	1,63	72,94	2,997	630	750	560	85-97	-	-	-
Ø76,2 x 2,41	TU.07602.01.00	Standard	76,2	2,41	71,38	4,384	630	750	560	85-97	-	-	-
Ø82,6 x 2,3	TU.08202.01.00	Standard	82,6	2,3	78	4,554	630	750	560	85-97	-	-	-
Ø84 x 1,7	TU.08401.07.00	High Strength	84	1,7	80,6	3,450	-	-	-	-	690	650	93-100
Ø88,9 x 1,63	TU.08801.01.00	Standard	88,9	1,63	85,64	3,508	630	750	560	85-97	-	-	-
Ø88,9 x 2,41	TU.08802.01.00	Standard	88,9	2,41	84,08	5,140	630	750	560	85-97	-	-	-
Ø90 x 3	TU.09003.02.00	Standard	90	3	84	6,437	630	750	560	85-97	-	-	-
Ø90 x 3,2	TU.09003.01.00	Standard	90	3,2	83,6	6,850	630	750	560	85-97	-	-	-
Ø90 x 4	TU.09004.01.00	Standard	90	4	82	8,484	630	750	560	85-97	-	-	-
Ø90 x 5	TU.09005.01.00	Standard	90	5	80	10,481	630	750	560	85-97	-	-	-
Ø92 x 5	TU.09205.01.00	Standard	92	5	82	10,721	630	750	560	85-97	-	-	-
Ø100 x 3	TU.10003.01.00	Standard	100	3	94	7,176	630	750	560	85-97	-	-	-
Ø100 x 4	TU.10004.01.00	Standard	100	4	92	9,470	630	750	560	85-97	-	-	-
Ø100 x 4,5	TU.10045.01.00	Standard	100	4,5	91	10,599	630	750	560	85-97	-	-	-
Ø100 x 5	TU.10005.01.00	Standard	100	5	90	11,714	630	750	560	85-97	-	-	-
Ø101,6 x 1,7	TU.10117.07.00	High Strength	101,6	1,7	98,2	4,188	-	-	-	-	690	650	93-100
Ø110 x 6	TU.11006.01.00	Standard	110	6	98	15,384	630	750	560	85-97	-	-	-
Ø115 x2	TU.11502.01.00	Standard	115	2	111	5,573	-	-	-	-	690	650	93-100
Ø120 x 3	TU.12003.01.00	Standard	120	3	114	8,656	630	750	560	85-97	-	-	-
Ø120 x 4	TU.12004.01.00	Standard	120	4	112	11,433	630	750	560	85-97	-	-	-
Ø120 x 6	TU.12006.01.00	Standard	120	6	108	16,870	630	750	560	85-97	-	-	-
Ø130 x 6	TU.13006.01.00	Standard	130	6	118	18,348	630	750	560	85-97	-	-	-
Ø140 x 5	TU.14005.01.00	Standard	140	5	130	16,647	630	750	560	85-97	-	-	-
Ø142 x 6	TU.14206.01.00	Standard	142	6	130	20,124	630	750	560	85-97	-	-	-
Ø144 x 7	TU.14407.01.00	Standard	144	7	130	23,650	630	750	560	85-97	-	-	-



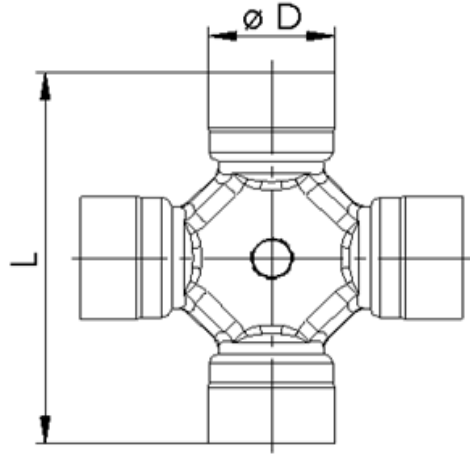
ÖLÇÜ VE RESİMLER BAĞLAYICI OLMAYIP, BİLDİRMEKSİZİN DEĞİŞTİRİLEBİLİR
DIMENSIONS AND ILLUSTRATIONS ARE SUBJECT TO CHANGE, AND WE RESERVE THE RIGHT TO INTRODUCE MODIFICATIONS WITHOUT PRIOR NOTICE



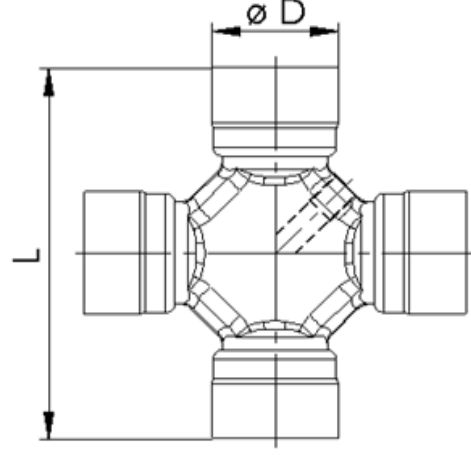
MAFSAL İSTAVROZU / UNIVERSAL JOINT
SAE SERİ / SAE SERIES



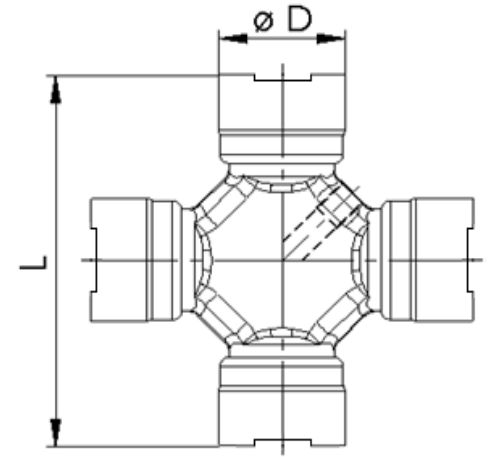
TİP/TYPE - A -



TİP/TYPE - B -



TİP/TYPE - C -



TİP/TYPE - D -



ÖLÇÜ VE RESİMLER BAĞLAYICI OLMAYIP, BİLDİRMEKSİZİN DEĞİŞTİRİLEBİLİR
DIMENSIONS AND ILLUSTRATIONS ARE SUBJECT TO CHANGE, AND WE RESERVE THE RIGHT TO INTRODUCE MODIFICATIONS WITHOUT PRIOR NOTICE



MAFSAL İSTAVROZU / UNIVERSAL JOINT

SAE SERİ / SAE SERIES

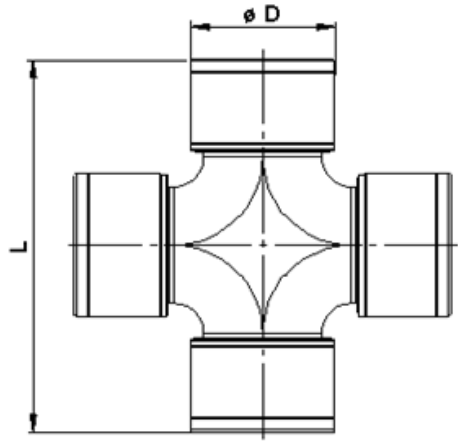
SERİ/SERIE	PARÇA/PART NO	FORM/TYPE	ø D	L	AÇIKLAMA / EXPLANATION
00300	UJ.00300.01.02	A	16	40	BAKIMSIZ / MAINTENANCE FREE
00400	UJ.00400.02.02	A	19	48	BAKIMSIZ / MAINTENANCE FREE
	UJ.00400.03.02	B			BAKIMLI / MAINTENANCE
	UJ.00400.07.02	A	19	48,5	BAKIMSIZ / MAINTENANCE FREE
00500	UJ.00500.06.02	A	19	52	BAKIMSIZ / MAINTENANCE FREE
	UJ.00500.07.02	B			BAKIMLI / MAINTENANCE
01140	UJ.01140.01.02	C	23,8	61,2	BAKIMLI / MAINTENANCE
	UJ.01140.03.02	A			BAKIMSIZ / MAINTENANCE FREE
01300	UJ.01300.01.02	C	27	74,5	BAKIMLI / MAINTENANCE
01310	UJ.01310.01.02	C	27	81,8	BAKIMLI / MAINTENANCE
	UJ.01310.10.02	A	27		EZMELİ / STAKING / BAKIMSIZ / MAINTENANCE FREE
01350	UJ.01350.01.02	C	30,2	92	BAKIMLI / MAINTENANCE
-	UJ.01350.02.02	A	30	92	EZMELİ / STAKING / BAKIMSIZ / MAINTENANCE FREE
01410	UJ.01410.01.02	C	30,2	106,2	BAKIMLI / MAINTENANCE
	UJ.01410.03.02	A	30	106,2	EZMELİ / STAKING / BAKIMSIZ / MAINTENANCE FREE
01480	UJ.01480.03.02	B	34,9	106,4	BAKIMLI / MAINTENANCE
01510	UJ.01510.01.02	C	39,7	115,8	BAKIMLI / MAINTENANCE
01600	UJ.01600.01.02	C	47	132,2	BAKIMLI / MAINTENANCE
01630	UJ.01630.01.02	B	39,7	115,8	BAKIMLI / MAINTENANCE
01800	UJ.01800.01.02	D	59	167,4	TABAN PULSUZ / WASHER FREE / KAPAKLI / OUTER CUP / BAKIMLI / MAINTENANCE



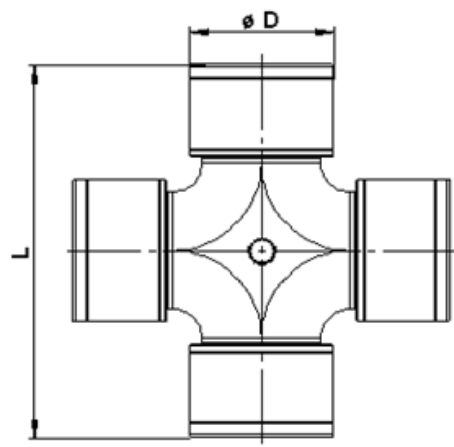
ÖLÇÜ VE RESİMLER BAĞLAYICI OLMAYIP, BİLDİRMEKSİZİN DEĞİŞTİRİLEBİLİR
DIMENSIONS AND ILLUSTRATIONS ARE SUBJECT TO CHANGE, AND WE RESERVE THE RIGHT TO INTRODUCE MODIFICATIONS WITHOUT PRIOR NOTICE



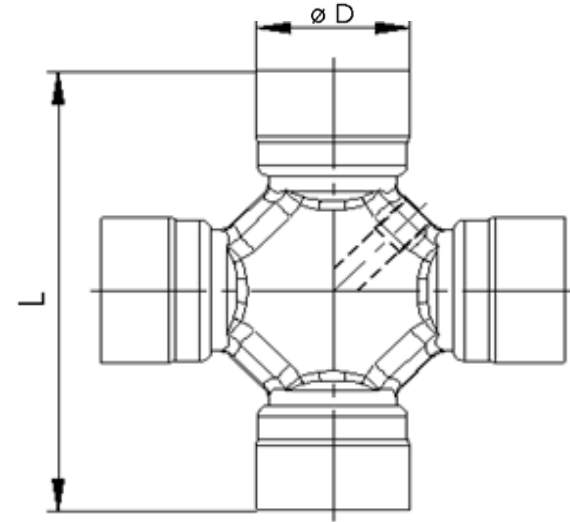
MAFSAL İSTAVROZU / UNIVERSAL JOINT
DIN SERİ / DIN SERIES



TİP/TYPE - A -



TİP/TYPE - B -



TİP/TYPE - C -



ÖLÇÜ VE RESİMLER BAĞLAYICI OLMAYIP, BİLDİRMEKSİZİN DEĞİŞTİRİLEBİLİR
DIMENSIONS AND ILLUSTRATIONS ARE SUBJECT TO CHANGE, AND WE RESERVE THE RIGHT TO INTRODUCE MODIFICATIONS WITHOUT PRIOR NOTICE



MAFSAL İSTAVROZU / UNIVERSAL JOINT
DIN SERİ / DIN SERIES

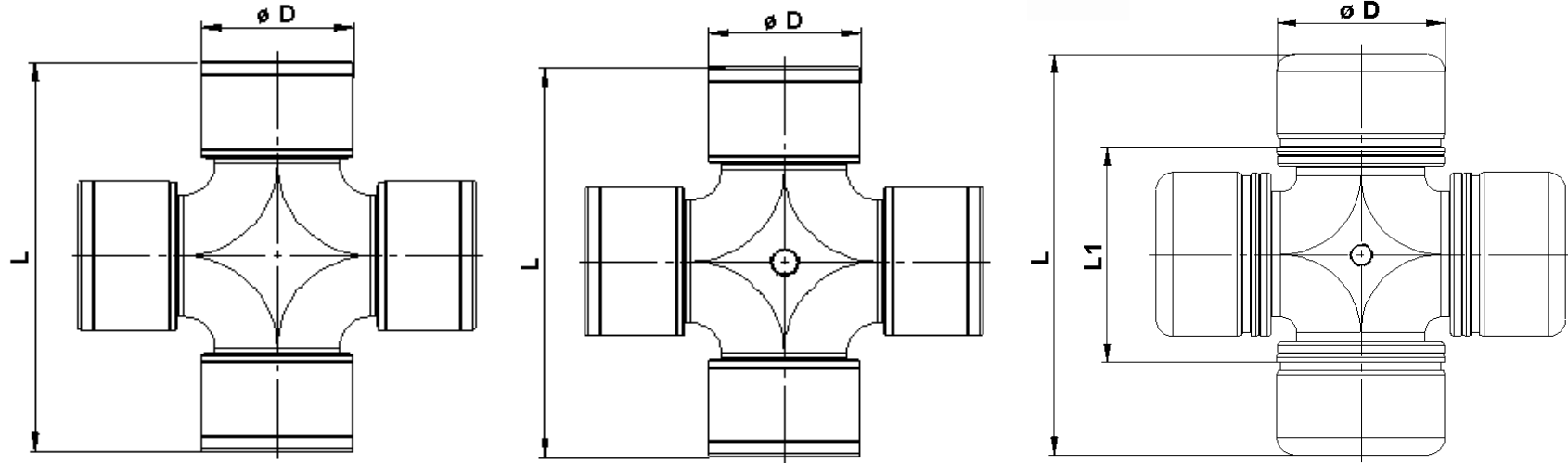
SERİ/SERIE	PARÇA/PART NO	FORM/TİPİ	ø D	L	AÇIKLAMA / EXPLANATION
58720	UJ.58720.01.02	B	48	116,5	BAKIMLI / MAINTENANCE
58730	UJ.58730.01.02	B	52	133	BAKIMLI / MAINTENANCE
58735	UJ.58735.01.02	B	57	144	BAKIMLI / MAINTENANCE
68715	UJ.68715.01.02	B	27	74,5	BAKIMLI / MAINTENANCE
68720	UJ.68720.01.02	B	30,2	81,8	BAKIMLI / MAINTENANCE
68731	UJ.68730.01.02	B	35	106,4	BAKIMLI / MAINTENANCE
	UJ.01480.02.02	C			
68735	UJ.68735.02.02	A	42	119,5	BAKIMSIZ / MAINTENANCE FREE
68741	UJ.68740.01.02	B	48	135	BAKIMLI / MAINTENANCE
	UJ.68740.03.02	A			BAKIMSIZ / MAINTENANCE FREE
68745	UJ.68745.01.02	B	52	147	BAKIMLI / MAINTENANCE
	UJ.68745.09.02	A			BAKIMSIZ / MAINTENANCE FREE
	UJ.68745.02.02		B		53
	UJ.68745.05.02	BAKIMLI / MAINTENANCE			
68755	UJ.68755.01.02	B	57	152	BAKIMLI / MAINTENANCE
	UJ.68755.02.02			152,7	
	UJ.68755.04.02	A		152	BAKIMSIZ / MAINTENANCE FREE
68760	UJ.68760.05.02	B	59	167,7	BAKIMLI / MAINTENANCE
	UJ.68760.07.02	A			BAKIMSIZ / MAINTENANCE FREE
68765	UJ.68765.01.02	B	65	172	BAKIMLI / MAINTENANCE
	UJ.68765.11.02	A			BAKIMSIZ / MAINTENANCE FREE



ÖLÇÜ VE RESİMLER BAĞLAYICI OLMAYIP, BİLDİRMEKSİZİN DEĞİŞTİRİLEBİLİR
DIMENSIONS AND ILLUSTRATIONS ARE SUBJECT TO CHANGE, AND WE RESERVE THE RIGHT TO INTRODUCE MODIFICATIONS WITHOUT PRIOR NOTICE



MAFSAL İSTAVROZU / UNIVERSAL JOINT
ÖZEL SERİ / SPECIAL SERIES



TİP/TYPE - A -

TİP/TYPE - B -

TİP/TYPE - C -

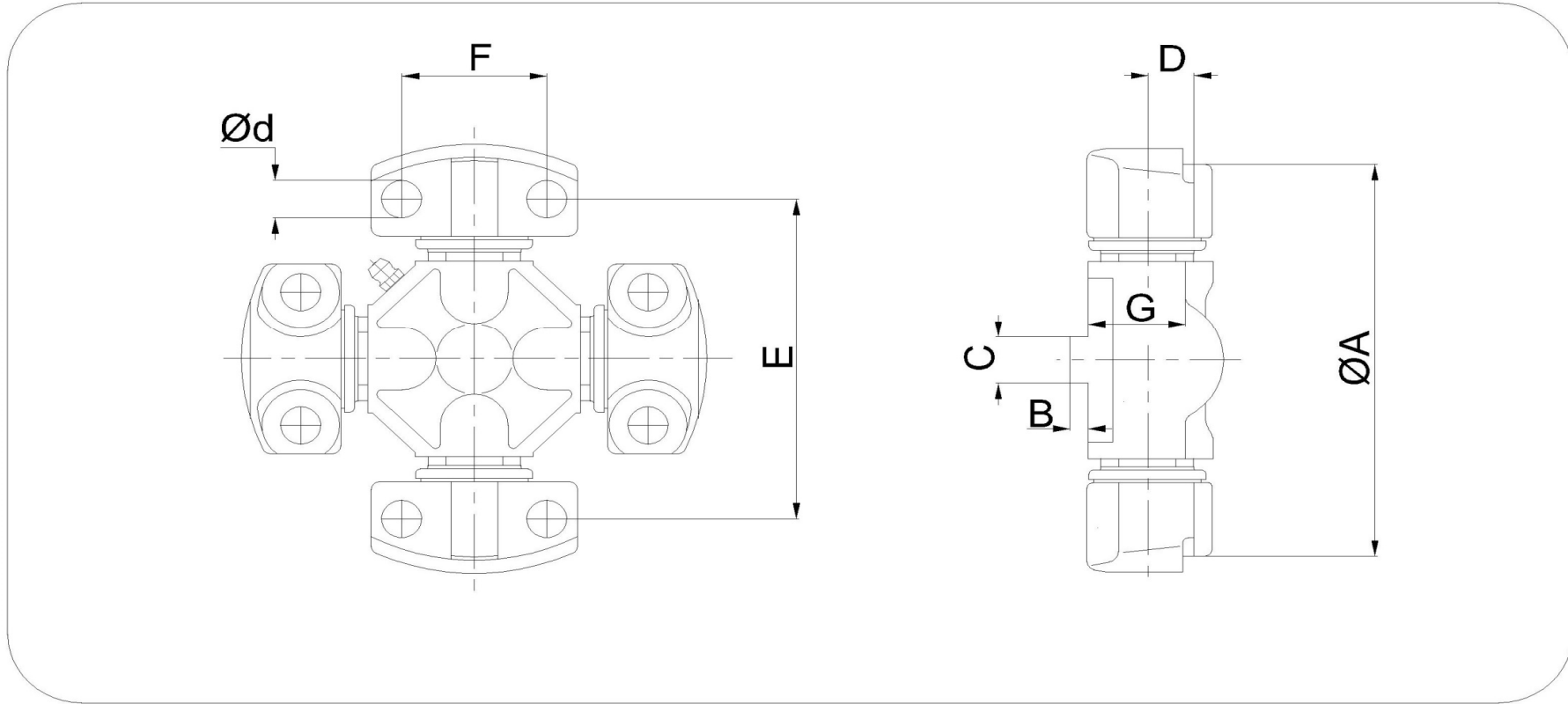
SERİ/SERIE	PARÇA/PART NO	FORM/TYPE	ϕD	L	L1	AÇIKLAMA / EXPLANATION
15040	UJ.15040.01.02	A	15	40	--	BAKIMSIZ / MAINTENANCE FREE
00385	UJ.00385.01.02	B	48	126	--	BAKIMLI / MAINTENANCE
	UJ.00385.03.02	A				BAKIMSIZ / MAINTENANCE FREE
00389	UJ.00389.01.02	B	53	135	--	BAKIMLI / MAINTENANCE
	UJ.00389.03.02	A				BAKIMSIZ / MAINTENANCE FREE
68089	UJ.68089.01.02	C	68	166	89	BAKIMLI / MAINTENANCE



ÖLÇÜ VE RESİMLER BAĞLAYICI OLMAYIP, BİLDİRMEKSİZİN DEĞİŞTİRİLEBİLİR
DIMENSIONS AND ILLUSTRATIONS ARE SUBJECT TO CHANGE, AND WE RESERVE THE RIGHT TO INTRODUCE MODIFICATIONS WITHOUT PRIOR NOTICE



MEKANİK TİP İSTAVROZ WING TYPE UNIVERSAL JOINT



ÖLÇÜ VE RESİMLER BAĞLAYICI OLMAYIP, BİLDİRMEKSİZİN DEĞİŞTİRİLEBİLİR
DIMENSIONS AND ILLUSTRATIONS ARE SUBJECT TO CHANGE, AND WE RESERVE THE RIGHT TO INTRODUCE MODIFICATIONS WITHOUT PRIOR NOTICE



MEKANİK TİP İSTAVROZ

WING TYPE UNIVERSAL JOINT

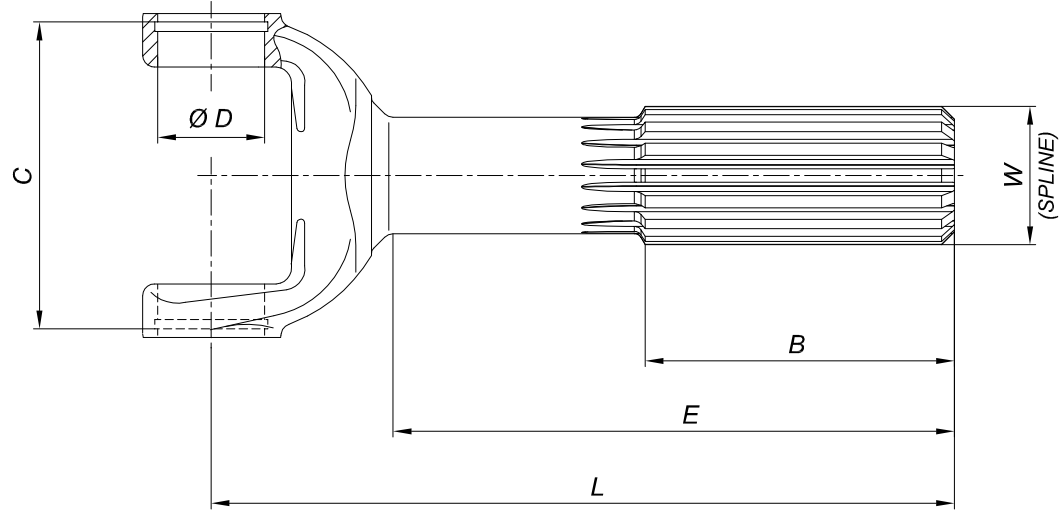
SERİ/SERIE	PARÇA/PART NO	ØA	B	C	D	Ød	E	F	G
4C	UJ.04000.01.02	107,2	3,1	9,5	15,5	8,75	87,3	36,6	25
5C	UJ.05000.01.02	115,6	4,1	14,26	17,5	10,5	88,9	42,9	29
6C	UJ.06000.01.01	140,46	4,1	14,26	17,5	10,5	114,3	42,9	29
7C	UJ.07000.01.02	148,38	5,1	15,85	20,6	13,5	117,48	49,2	33
8C	UJ.08000.01.02	206,32	5,1	15,85	20,6	13,5	174,6	49,2	33
8,5C	UJ.08500.01.02	165,1	5,2	15,85	25,4	13,5	123,8	71,44	40
9C	UJ.09000.01.02	209,52	5,2	15,85	25,4	13,5	168,25	71,44	40



ÖLÇÜ VE RESİMLER BAĞLAYICI OLMAYIP, BİLDİRMEKSİZİN DEĞİŞTİRİLEBİLİR
DIMENSIONS AND ILLUSTRATIONS ARE SUBJECT TO CHANGE, AND WE RESERVE THE RIGHT TO INTRODUCE MODIFICATIONS WITHOUT PRIOR NOTICE



ÇATALLI KAYICI MİL YOKE SHAFT



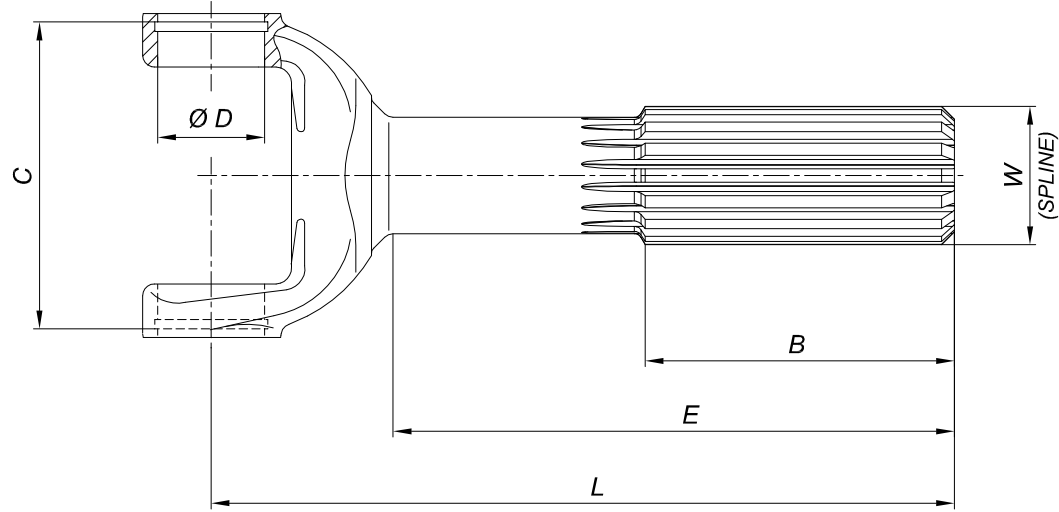
ÖLÇÜ VE RESİMLER BAĞLAYICI OLMAYIP, BİLDİRMEKSİZİN DEĞİŞTİRİLEBİLİR
DIMENSIONS AND ILLUSTRATIONS ARE SUBJECT TO CHANGE, AND WE RESERVE THE RIGHT TO INTRODUCE MODIFICATIONS WITHOUT PRIOR NOTICE



ÇATALLI KAYICI MİL
YOKE SHAFT

SERİ SERIE	PARÇA NO PART NO	ØD	L	B	E	C	MAFSAL AÇISI JOINT ANGLE	W SPLINE	İSTAVROZ U.JOINT
01140	YS.01140.12.02	23,825 ^{-0,018}	135	44,4	90,5	64,26 ^{-0,05}	15°	SAE Ø26,9x16C	Ø23,825x61,2
	YS.01140.13.02	23,825 ^{-0,018}	110,5	44	74,1	64,26 ^{-0,05}	15°	SAE Ø26,9x16C	Ø23,825x61,2
01300	YS.01300.01.02	27 ^{-0,018}	185	84	138	77,57 ^{-0,05}	17°	SAE Ø34,9x16C	Ø27x74,6
01310	YS.01310.02.02	27 ^{-0,018}	149,3	57	109	84,78 ^{-0,05}	20°	SAE Ø34,9x16C	Ø27x81,8
	YS.01310.04.02	27 ^{-0,018}	171	65	124,3	84,78 ^{-0,05}	20°	SAE Ø34,9x16C	Ø27x81,8
	YS.01310.10.02	27 ^{-0,018}	165	47	117	84,78 ^{-0,05}	20°	SAE Ø34,9x16C	Ø27x81,8
	YS.01310.13.02	27 ^{-0,018}	158,5	55,8	108,5	84,78 ^{-0,05}	20°	SAE Ø34,9x16C	Ø27x81,8
	YS.01310.14.02	27 ^{-0,018}	147,4	46	103	84,78 ^{-0,05}	20°	SAE Ø34,9x16C	Ø27x81,8
	YS.01310.20.02	27 ^{-0,018}	164	50,8	111	84,78 ^{-0,05}	30°	SAE Ø34,9x16C	Ø27x81,8
	YS.01310.21.02	27 ^{-0,018}	129	54	85	84,78 ^{-0,05}	20°	SAE Ø34,9x16C	Ø27x81,8
	YS.01310.22.02	27 ^{-0,018}	112	37	68,6	84,78 ^{-0,05}	20°	SAE Ø34,9x16C	Ø27x81,8
01410	YS.01410.04.02	30,175 ^{-0,018}	187,2	67,5	126,2	109,30 ^{-0,05}	20°	SAE Ø38,1x16C	Ø30,2x106,3
	YS.01410.07.02	30,175 ^{-0,018}	156,2	67,5	108,2	109,30 ^{-0,05}	20°	SAE Ø38,1x16C	Ø30,2x106,3
	YS.01410.09.02	30,175 ^{-0,018}	156,2	67,5	108,2	109,30 ^{-0,05}	20°	SAE Ø38,1x16C (RILSAN COATED)	Ø30,2x106,3
	YS.01410.12.02	30,175 ^{-0,018}	126,2	50,8	78,5	109,30 ^{-0,05}	20°	SAE Ø38,1x16C (RILSAN COATED)	Ø30,2x106,3
	YS.01410.13.02	30,175 ^{-0,018}	168	57	121	109,30 ^{-0,05}	20°	SAE Ø38,1x16C (RILSAN COATED)	Ø30,2x106,3
	YS.01410.14.02	30,175 ^{-0,018}	145	50,8	97,3	109,30 ^{-0,05}	20°	SAE Ø38,1x16C (RILSAN COATED)	Ø30,2x106,3

ÇATALLI KAYICI MİL YOKE SHAFT



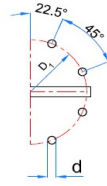
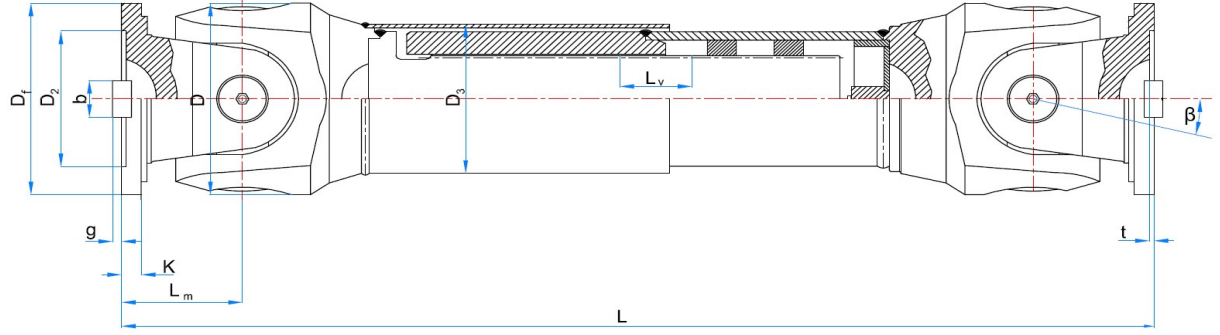
ÖLÇÜ VE RESİMLER BAĞLAYICI OLMAYIP, BİLDİRMEKSİZİN DEĞİŞTİRİLEBİLİR
DIMENSIONS AND ILLUSTRATIONS ARE SUBJECT TO CHANGE, AND WE RESERVE THE RIGHT TO INTRODUCE MODIFICATIONS WITHOUT PRIOR NOTICE



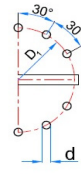
ÇATALLI KAYICI MİL
YOKE SHAFT

SERİ SERIE	PARÇA NO PART NO	ØD	L	B	E	C	MAFSAL AÇISI JOINT ANGLE	W SPLINE	İSTAVROZ U.JOINT
01480	YS.01480.01.02	34,925 ^{-0,018}	166	60	117	109,296 ^{-0,05}	20°	SAE Ø44,45x16C (RILSAN COATED)	Ø34,925x106,4
	YS.01480.02.02	34,917 ^{-0,028}	360	92	270	109,296 ^{-0,05}	30°	SAE Ø50,8x16C (RILSAN COATED)	Ø34,9x106,4
	YS.01480.03.02	34,925 ^{-0,018}	185	58	128	109,296 ^{-0,05}	20°	SAE Ø44,45x16C (RILSAN COATED)	Ø34,925x106,4
	YS.01480.04.02	35 ^{+0,025}	185	58	128	109,296 ^{-0,05}	20°	SAE Ø44,45x16C (RILSAN COATED)	Ø35x106,4
	YS.01480.05.02	34,925 ^{-0,018}	166	58	110	109,296 ^{-0,05}	20°	SAE Ø44,45x16C (RILSAN COATED)	Ø34,925x106,4
	YS.01480.06.02	35 ^{+0,025}	166	58	110	109,296 ^{-0,05}	20°	SAE Ø44,45x16C (RILSAN COATED)	Ø35x106,4
	YS.01480.07.02	34,925 ^{-0,018}	144,5	51	96	109,296 ^{-0,05}	20°	SAE Ø44,45x16C (RILSAN COATED)	Ø34,925x106,4
	YS.01480.08.02	35 ^{+0,025}	144,5	51	96	109,296 ^{-0,05}	20°	SAE Ø44,45x16C (RILSAN COATED)	Ø35x106,4

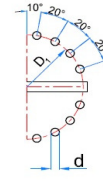




n:8



n:10



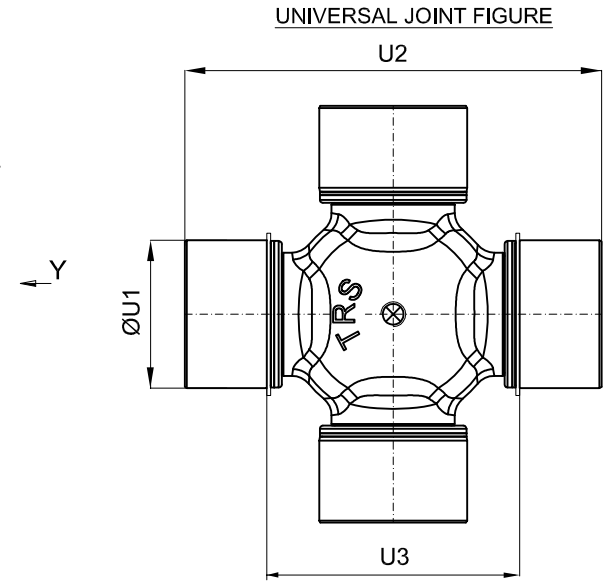
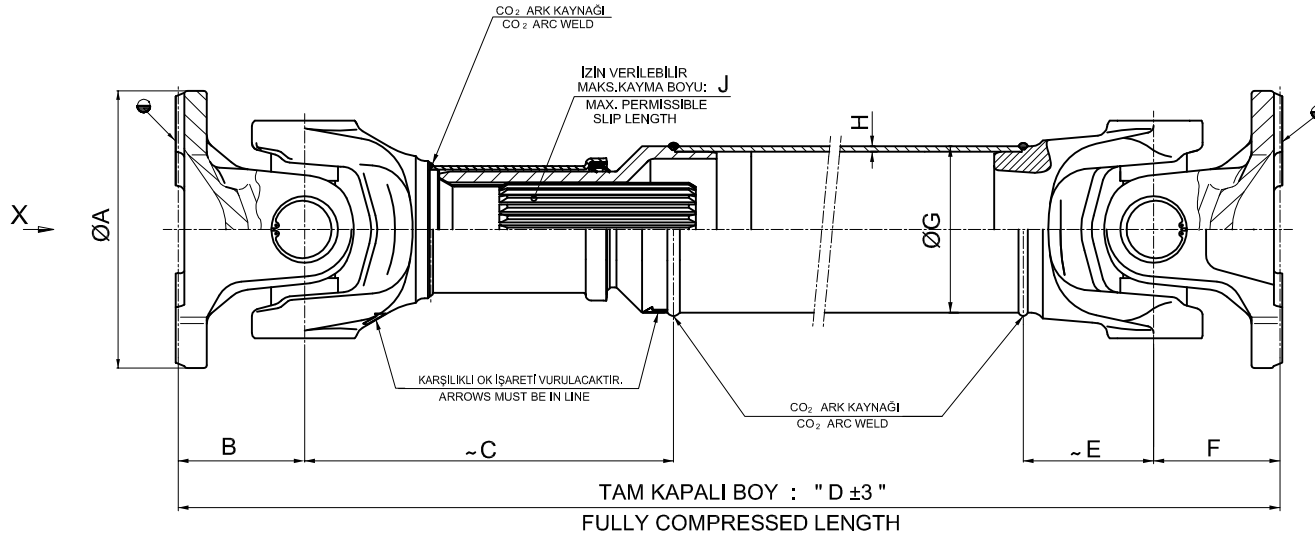
n:16

Dizayn Veri	SWC													
	160	180	200	225	250	265	285	315	350	390	440	490	550	620
L	740	800	900	1000	1060	1120	1270	1390	1520	1530	1690	1850	2060	2280
L _v	100	100	120	140	140	140	140	140	150	170	190	190	240	250
m(kg)	65	83	115	152	219	260	311	432	610	804	1122	1468	2154	2830
T _n (kN.m)	21	28	40	56	80	100	120	160	225	320	500	700	1000	1250
T _m (kN.m)	27.3	36.4	52	72.8	104	130	156	208	292.5	416	650	910	1300	1625
T _f (kN.m)	10.5	14	20	28	40	50	58	80	110	160	250	350	500	625
β (°)	15	15	15	15	15	15	15	15	15	15	15	15	15	15
D	160	180	200	225	250	265	285	315	350	390	440	490	550	620
D _f	160	180	200	225	250	265	285	315	350	390	440	490	550	620
D ₁	137	155	170	196	218	233	245	280	310	345	390	435	492	555
D ₂ (H9)	100	105	120	135	150	160	170	185	210	235	255	275	320	380
D ₃ x s	114x10	127x10.5	146x11.5	159x10.5	180x12.5	194x13.5	203x14.5	219x16.5	245x19	273x21	325x25	351x30	402x32	426x40
L _m	95	105	110	125	145	150	165	180	200	215	260	270	305	340
K	16	17	18	20	25	25	27	32	35	40	42	47	50	55
t	4	5	5	5	6	6	7	8	8	8	10	12	12	12
n	8	8	8	8	8	8	8	10	10	10	16	16	16	16
d	15	17	17	17	19	19	21	23	23	25	28	31	31	38
b	20	24	28	32	40	40	40	40	50	70	80	90	100	100
g	6.0	7.0	8.0	9.0	12.5	12.5	15.0	15.0	16.0	18.0	20.0	22.5	22.5	25
m _L (kg)	2.57	3	3.82	3.85	5.17	6	6.75	8.25	10.6	13	18.50	23.75	29.12	38.08
ØM	65	72	82	90	100	108	115	130	145	165	185	210	240	265
H	136	154	171	192	214	226	243	269	299	333	377	419	472	526

L = Standart boy
L_v = Kayma boyu
m = Ağırlık
T_n = Nominal tork
T_m = Maksimum tork
T_f = Yorulma mukavemeti

β = Maksimum sapma açısı
s = Boru et kalınlığı
m_L = 100 mm boru ağırlığı
ØM = İstavroz çapı
H = İstavroz uzunluğu

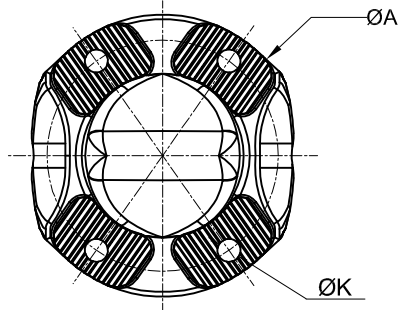
- Ölçüler aksi belirtilmedikçe mm olarak alınacaktır.
- Şaft boyu, kayma boyu ve flanş bağlantıları hakkında lütfen bilgi veriniz. (DIN veya SAE vs.)



FLANGE FIGURE 1

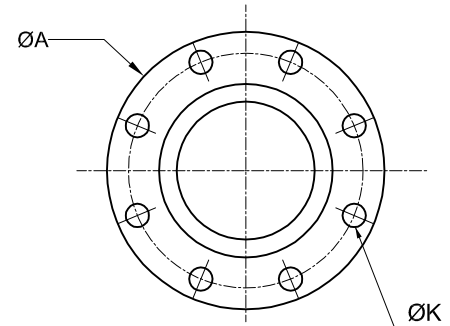
FLANGE FIGURE 2

*PLEASE SPECIFY UJ TYPE, OUTER RING OR INNER RING
*LÜTFEN SEGMAN TIPINI BELİRTİNİZ, İÇTEN YA DA DIŞTAN



X-Y- BAKIŞI
VIEW X-Y

FLANGE DIAMETER (A) :
HOLES DIAMETER (K) :
NUMBER OF HOLES :



X-Y- BAKIŞI
VIEW X-Y

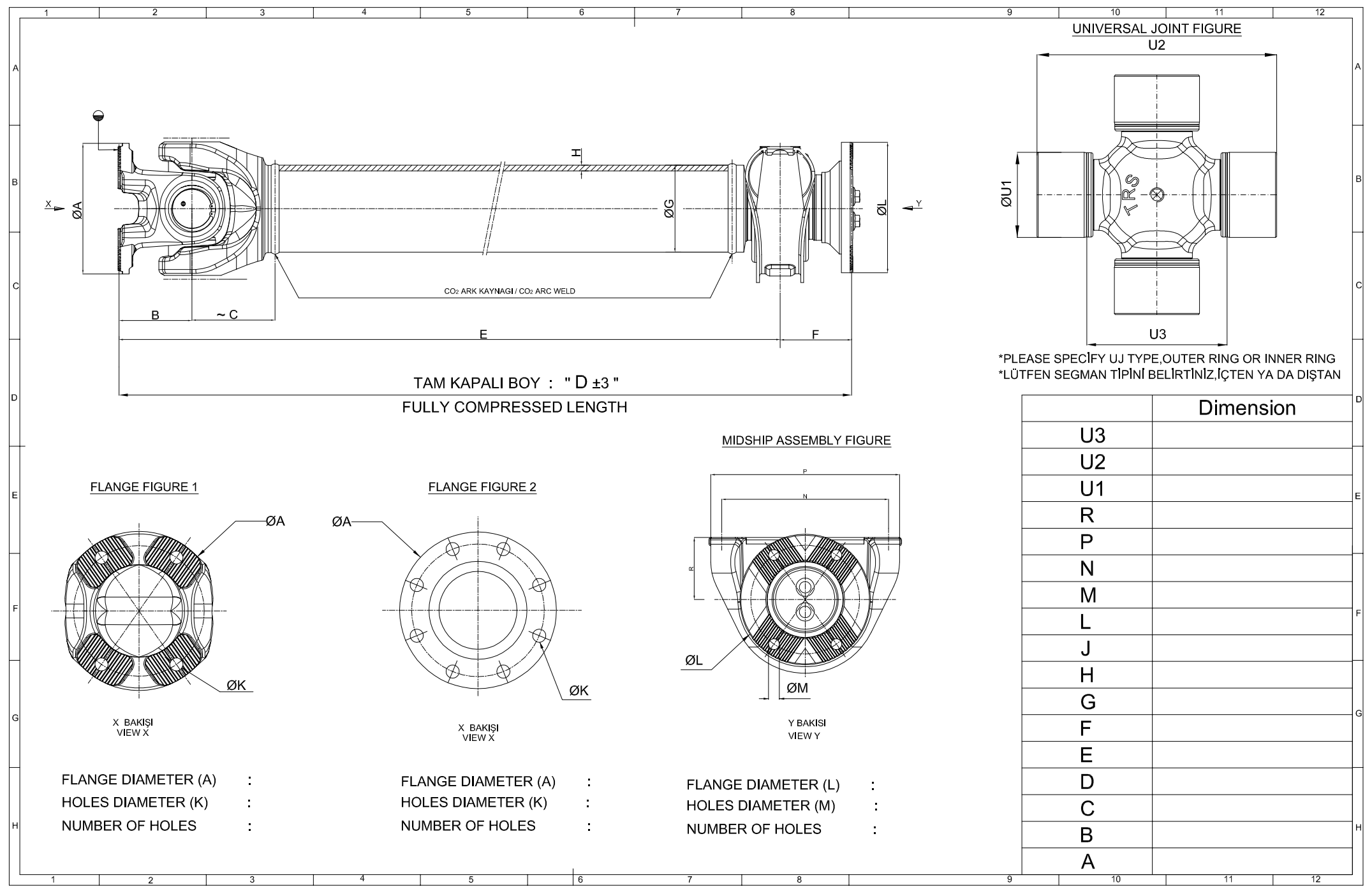
FLANGE DIAMETER (A) :
HOLES DIAMETER (K) :
NUMBER OF HOLES :

	Dimension
U3	
U2	
U1	
J	
H	
G	
F	
E	
D	
C	
B	
A	



ÖLÇÜ VE RESİMLER BAĞLAYICI OLMAYIP, BİLDİRMEKSİZİN DEĞİŞTİRİLEBİLİR
DIMENSIONS AND ILLUSTRATIONS ARE SUBJECT TO CHANGE, AND WE RESERVE THE RIGHT TO INTRODUCE MODIFICATIONS WITHOUT PRIOR NOTICE





ÖLÇÜ VE RESİMLER BAĞLAYICI OLMAYIP, BİLDİRMEKSİZİN DEĞİŞTİRİLEBİLİR
DIMENSIONS AND ILLUSTRATIONS ARE SUBJECT TO CHANGE, AND WE RESERVE THE RIGHT TO INTRODUCE MODIFICATIONS WITHOUT PRIOR NOTICE



TEKNİK SORU FORMU

KARDAN MİLİ SEÇİMİ İÇİN ARAÇ TEKNİK ÖZELLİKLERİ

ARAÇ TİPİ

SUV Kamyonet Minibüs Midibüs Şehirçi Otobüs Şehirlerarası Otobüs Kamyon Çekici Diğer

TEKERLEK TAHRİK KONFIGÜRASYONU

4X2 4X4 6X2 6X4 6X6 8X2 8X4 8X6 8X8 Diğer : _____

ARAÇ BİLGİLERİ

Ağırlık merkezinin ön aksa olan mesafesi : _____ (m) Dingil mesafesi : _____ (m)
Ağırlık merkezinin arka aksa olan mesafesi : _____ (m) Tırmanabilirlik : _____ (%)
Ağırlık merkezinin yüksekliği : _____ (m) Maksimum hız : _____ (km/h)
5. Tekerlek Yüğü : _____ (kg)

AĞIRLIKLAR

Azami yüklü ağırlık (AYA) : _____ (kg) Azami yüklü katar ağırlığı (AYKA) : _____ (kg)
Ön aks tipi : Rijit Bağımsız Arka aks tipi : Rijit Bağımsız
1. ön aksa gelen maksimum ağırlık : _____ (kg) 1. arka aksa gelen maksimum ağırlık : _____ (kg)
1. ön aksın taşıma kapasitesi : _____ (kg) 1. arka aksın taşıma kapasitesi : _____ (kg)
1. ön toplam aks oranı : _____ 1. arka toplam aks oranı : _____
1. ön aks diferansiyel oranı : _____ 1. arka aks diferansiyel oranı : _____
1. ön aks tekerlek oranı : _____ 1. arka aks tekerlek oranı : _____
2. ön aksa gelen maksimum ağırlık : _____ (kg) 2. arka aksa gelen maksimum ağırlık : _____ (kg)
2. ön aksın taşıma kapasitesi : _____ (kg) 2. arka aksın taşıma kapasitesi : _____ (kg)
2. ön toplam aks oranı : _____ 2. arka aks toplam aks oranı : _____
2. ön aks diferansiyel oranı : _____ 2. arka aks diferansiyel oranı : _____
2. ön aks tekerlek oranı : _____ 2. arka aks tekerlek oranı : _____
Diferansiyel Kilidi : Var Yok

ÇALIŞMA TÜRÜ (% Zaman)

Otoban : Şehirler arası : Şehirçi : Off Road : Diğer : _____

YÜKLEME DURUMU (% AYA) : _____ %0 _____ %25 _____ %50 _____ %75 _____ %100
% Kullanım : _____

MOTOR

Model : _____ Maksimum güç : _____ (hp@rpm)
Tip : Benzinli Dizel Maksimum tork : _____ (Nm@rpm)
Yerleşim : Ön Orta Arka Silindir hacmi : _____ (cc)
Silindir sayısı : 4 5 6 8 Maksimum motor devri : _____ (rpm)

DEBRİAJ

Model / Üretici : _____
Tip : _____
Kayma torku : _____ (Nm)
Maksimum şok torku : _____ (Nm)
Normal kullanım Ani kavrama

RETARDER

: Var Yok
Model / Üretici : _____
Tip : _____
Fren torku : _____ (Nm)

VİTES KUTUSU

Model / Üretici : _____
Tip : Otomatik Manuel
Birinci vites oranı : _____
İkinci vites oranı : _____

Geri vites oranı : _____
Son vites oranı : _____
Konvertör oranı : _____
Verim (%) : _____

TRANSFER KUTUSU

Model / Üretici : _____
Tip : _____
Dağıtım Oranı : Ön (%) Arka (%)
Verim : _____ (%)

Seçim : Sürekli Opsiyonel
Maksimum redüksiyon oranı : _____
Minimum redüksiyon oranı : _____

LASTİKLER

Boyutlar : _____ ÖN
Yüklü durumda statik yarıçap (Rs) : _____ (m)
Dinamik yarıçap (Rd) : _____ (m)
Sürtünme Katsayısı : _____

ARKA

Boyutlar : _____ ARKA
Yüklü durumda statik yarıçap (Rs) : _____ (m)
Dinamik yarıçap (Rd) : _____ (m)
Sürtünme Katsayısı : _____

TEKNİK SORU FORMU

KARDAN MİLİ SEÇİMİ İÇİN ARAÇ TEKNİK ÖZELLİKLERİ

ÇALIŞTIRMA ORTAMI

Ortam Sıcaklığı : Maksimum (°C) Minimum (°C)

Kardan miline yakın olan ısı kaynakları :

Isı kaynağı	Sıcaklık (°C)		Mesafe (mm)
	En Yüksek	Sürekli	

KARDAN MİLİ BİLGİLERİ

Tam kapalı boy : (mm) Maksimum mafsalsı açısı : (°)
Dizayn yükü altındaki boy : (mm) Minimum mafsalsı açısı : (°)
Kayma Boyu : (mm) Dizayn yükü altındaki mafsalsı açısı : (°)
Balans Kalitesi (gcm@rpm) : Standart (TS ISO 1940 G16) İzin verilen maximum dönme çapı : (mm)
: Özel

KARDAN MİLİ BAĞLANTI DETAYI

Flanş Tipi

SAE Dış çap :
DIN Merkezleme faturası / Bölüm dairesi çapı :
XS Delik adedi x delik çapı :

Giriş

Çıkış

Flanş bağlantı elemanları :

Flanş Bağlantı Elemanları Montaj Aparatları :

Askı Bağlantı Elemanları :

Diğer :

DAYANIM & PERFORMANS

Garanti : (km) (yıl)
Bakımsız istavroz kompleksi talebi : Evet Hayır
Araç bakım periyodu : (km)
Müşteri tarafından yapılacak araç testleri :

SATINALMA DETAYLARI

Yıllık kullanım adetleri :
Seri üretim başlangıç tarihi :
Prototip adedi :
Prototip teslim tarihi :
Hedef Pazarlar :
Yasal mevzuatlar :

MÜŞTERİ ÖZEL GEREKLERİ

1. Malzeme ve performans

2. Ağırlık

3. Gürültü / titreşim

4. Korozyon direnci (Kaplama, boya, vs...)

5. Paketleme

6. Diğer

NOT: Lütfen formun ekine kardan milinin araç üzerindeki yerleşimini gösteren teknik resmi ekleyiniz.

BAKIM KILAVUZU	Dok.No:	TM-204
	Sayfa No:	1/13
	Rev.No:	4
	Tarih:	05.11.2015

1. Güvenlik Talimatları

Bu dokümanda belirtilen tüm uyarılar ürünün güvenle kullanılabilmesi için detaylı çalışmalar sonucu hazırlanmıştır. Yanlış kullanımlar ve eksik/hatalı yapılan bakımlar ürünün ani olarak hasar görmesine neden olabileceği gibi ürünün normal kullanım sürecinde hasar görmesine de neden olabilir.

Ürünler sadece TİRSAN KARDAN tarafından önerilen koşullar altında kullanılmalıdır. Doğru ürün seçimi için TİRSAN KARDAN tarafından sağlanan "Teknik Soru Formu" nun tam ve eksiksiz olarak doldurulduğundan emin olunuz.

Ürünler için belirtilmiş olan maksimum tork, devir, yerleşim açısı, boy vb. gibi karakteristik özellikler hiçbir durumda aşılmamalıdır. Bu değerlerin aşılması ürünün ve aracın hasar görmesine neden olabilir.

TİRSAN KARDAN'ın yazılı izni olmaksızın yapılacak her türlü değişimde ürün garanti kapsamı dışında kalacaktır.

Kardan milleri montaja hazır olarak; araç üreticisi firmaların belirtmiş olduğu spesifikasyonlara göre balanslanmış, boyanmış ve operasyon için gres basılmış halde sevk edilmektedir.

Ürün üzerinde yapılacak tüm montaj, demontaj, bakım ve tamir işlemleri sadece yetkin servis elemanları tarafından yapılmalıdır.

1.1. Taşıma ve Saklama Koşulları

Kardan milleri kayıcı takımların hareketini engellemek için yatay olarak taşınmalı ve muhafaza edilmelidir.

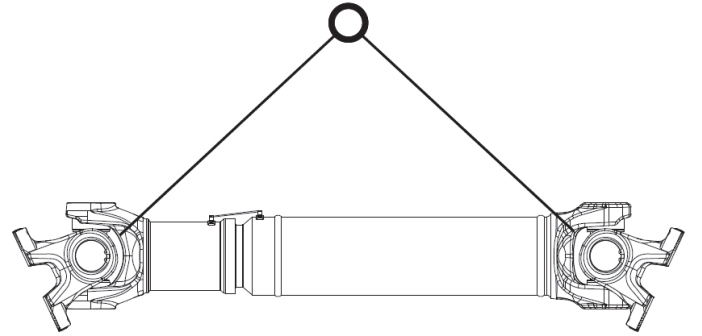
Yatay depolamada şaftın yuvarlanmaması için uygun bir takoz ile desteklenmelidir.

Taşıma sırasında çatallı flanş ya da istavroz üzerinden tutulmamasına dikkat edilmelidir. Aksi halde flanşın hareketi taşıma sırasında sıkışma ve yaralanmalara neden olabilir.

Taşıma sırasında kayıcı takım üzerine çıkma yönünde kuvvet uygulanmamalıdır. Aksi halde kayıcı takım parçaları yerinden çıkarak yaralanmalara neden olabilir.

Çok parçalı kardan milleri sadece iki uçlarından desteklenecek şekilde kaldırılmamalıdır. Taşıma ve saklama koşullarında ara mafsal üzerindeki fazla açı sonucu istavroz mafsalı üzerine binen yükler kalıcı deformasyona neden olabilir.

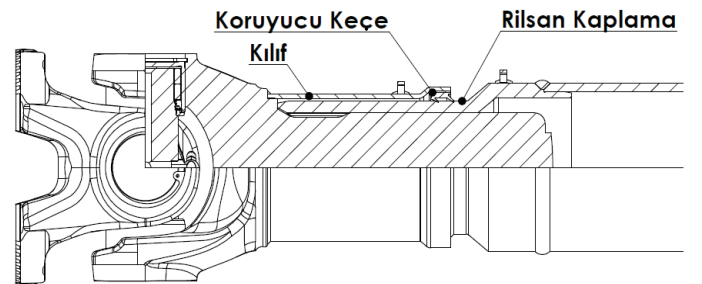
Kardan mili ideal taşıma koşulları için şekil 1.1' deki örneğe bakınız. Taşıma sırasında sağlam naylon halatlar ya da kaldırma kayışları kullanılmalıdır. Çelik kayışlar kullanırken sivri köşelere dikkat edilmelidir.



Şekil 1.1

Taşıma sırasında ani zıplamalar, yüksek titreşimler ve darbelerden kaçınılmalıdır.

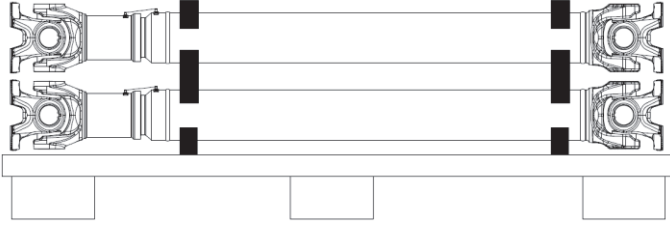
Taşıma ve saklama sırasında detayı şekil 1.2'de gösterilen kayıcı takım koruyucu kılıfı/keçesi ve rilsan kaplama bölgesi üzerine yük gelmemesine dikkat edilmelidir.



Şekil 1.2

BAKIM KILAVUZU	Dok.No:	TM-204
	Sayfa No:	2/13
	Rev.No:	4
	Tarih:	05.11.2015

Kardan milleri sadece TİRSAN KARDAN tarafından belirtilen paletler içerisinde şekil 1.3 de gösterilen düzende destekler kullanılarak saklanmalı ve transfer edilmelidir. Kayıcı takım parçaları üzerine ve boruların orta bölgelerine hiçbir şekilde yük uygulanmamalı üzerlerine herhangi bir alet, ağırlık v.s. asılıp bağlanmamalıdır.



Şekil 1.3

Kayıcı takım üzerinde yer alan ve açılmasını engelleyen emniyet bandı montaj aşamasına kadar çıkartılmamalıdır.

Dik olarak muhafaza edilmek durumunda kalan kardan millerinin devrilmesini engelleyecek önlemler alınmalıdır.

Kardan milleri kuru alanlarda muhafaza edilmeli, aşırı sıcak ve soğuktan korunmalıdır (Tavsiye edilen saklama sıcaklığı 0-50°C).

1.2. Montaj, Demontaj ve Araç Üstü Yerleşim

Araçın üzerinde yer alan tüm güvenlik ekipmanları, fren hatları, kablolar, hidrolik ve yakıt hatları hasar görmüş kardan millerinden etkilenmeyecek şekilde yerleştirilmiş olmalıdır.

Kardan şaftları genel olarak -40° C ile +80° C arasındaki ortam sıcaklıklarında çalışmaya uygun tasarlanmıştır (kısa zamanlı olarak nadiren +120° C anlık sıcaklıklara mazur kalabilir). Ancak farklı sıcaklık aralıkları farklı gres kullanımını gerektirebilir. Ortam sıcaklığının bu değerleri geçebildiği uygulamalar için TİRSAN KARDAN'ın yazılı onayı gerekmektedir.

Kardan milleri araç altında bulunan egzoz borusu, susturucu ve retarder gibi ısı kaynaklarından uzakta konumlandırılmalıdır. Yakın konumlandırılması gereken uygulamalarda gerekiyorsa ısı kalkanı kullanarak kardan milinin aşırı ısıdan etkilenmesi engellenmelidir.

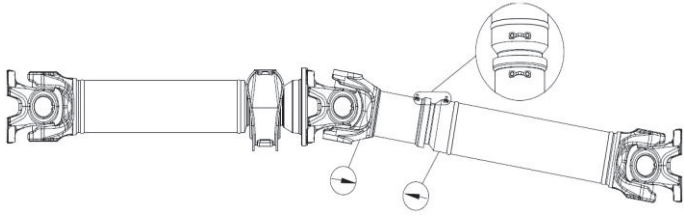
Uzun kardan mili uygulamalarında olası kırılma/kopma durumlarında diğer parçaların ve aracın hasar görmesini engellemek amacı ile kardan mili çevresine kardan milinin hareketini engellemeyecek şekilde sağlam bir koruyucu çerçeve monte edilmesi önerilmektedir.

Kardan mili bağlantı flanşlarının temas yüzeyleri güvenli ve düzgün bir bağlantı sağlamak amacıyla kir, gres ve boyadan arındırılmış olmalıdır. Montaj öncesi TİRSAN KARDAN tarafından bu bölgelere uygulanmış olan koruyucunun temizlenmesine gerek yoktur. Eğer mevcut ise diğer koruyucu kapak veya kılıflar çıkartılmalıdır.

Montaj öncesi kayıcı takımın açılmasını engelleyen emniyet bandı çıkartılmalıdır. Kardan mili bantların bağlandığı kaynaklı parçalar ile balanslanmıştır. Bu nedenle bu parçalar ürün üzerinde bırakılmalıdır.

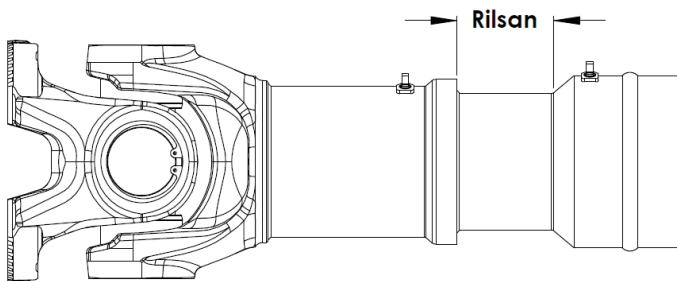
Montaj sırasında kayıcı takım üzerinde bulunan ok işaretlerinin karşılıklı konumlandırılmasına dikkat edilmelidir (Şekil 1.4). Kayıcı takım bu hizalamada düzgün çalışacak şekilde üretilmiştir. Kayıcı takım parçaları değiştirilmemeli ya da farklı bir açı ile yeniden monte edilmemelidir.

Çok parçalı kardan mili uygulamalarında kardan milinin uygun olarak monte edilebilmesi için diferansiyel ve vites kutusu flanşlarının uygun pozisyonda olması sağlanmalı ve kayıcı takım açısı üzerinde değişiklik yapılmamalıdır.



Şekil 1.4

Kayıcı takım bulunan kardan millerinde kayıcı takımın kir, su gibi maddelerden korunması genel ömrünü ve performansını arttırmaktadır. Kural olarak kardan mili, şekilde gösterildiği gibi kayıcı takım keçesi aşağıyı gösterecek şekilde araç üzerine monte edilmelidir. Kayıcı takım tarafı yukarıda olacak şekilde monte edilen kardan millerinde gelen su ve kir dönüş hareketi ile birlikte keçe üzerinde birikmeden atılacaktır. Kardan mili bağlantı flanşları DIN veya SAE standartlarına göre üretilmiştir. Araç üzerinde yer alan karşılıklı parçaların aynı standartları karşıladığından ve eksenel/radyal kaçıklıklarının uygun olduğundan emin olunmalıdır. Kardan mili istavroz boşluğuna herhangi bir alet sokularak çevrilmemelidir. Gresörlükler ve koruyucu keçeler zarar görebilir. Kayıcı takım üzerindeki rilsan kaplı bölge (Şekil 1.5) boyadan, yüksek ısıdan, çözücü/aşındırıcı maddelerden ve mekanik hasardan korunmalıdır.



Şekil 1.5

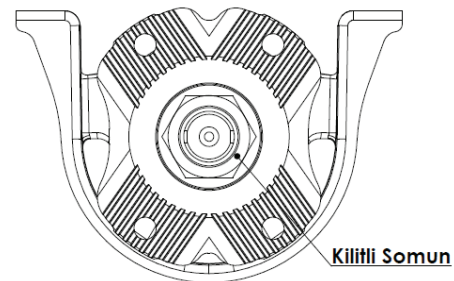
Kardan mili aşındırıcı deterjanlar ya da basınçlı su ve buhar jetleri ile temizlenmemelidir. Koruyucu keçeler zarar görebilir ve bunun

sonucunda kir, toz, çamur, su ve yabancı maddeler iç bölgelere geçebilir.

Ön kardan milleri askı grubu ile beraber montaja hazır olarak sevk edilmektedir. Ön kardan millerinde askı rulmanı ve ara yatak flanşı ile çok parçalı kardan millerinde askı rulmanı ve ara çatal aşağıdaki tabloda yer alan torklama değerlerine göre montaj yapılarak kilitlenmiştir. Montaj sırasında müdahale edilmemelidir. Servis amaçlı sökülmesi gereken durumlarda yeniden Tablo 1.1'e uygun tork değeri ile ve uygun ekipmanlar kullanılarak montaj yapıldığı ve kilitlendiğinden emin olunmalıdır.

Tablo 1.1

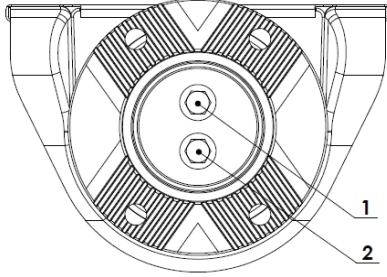
Askı Numarası	Tork Değeri (Nm)
CB.06036.xx.02	600 ±50
CB.06536.xx.02	700 ±50
CB.06523.xx.02	130 ±5
CB.06022.xx.02	230 ±10
CB.03514.xx.02	55 ±2,5
CB.03517.xx.02	55 ±2,5
CB.03013.xx.02	48 ±7
CB.03015.xx.02	66 ±6



Şekil 1.6

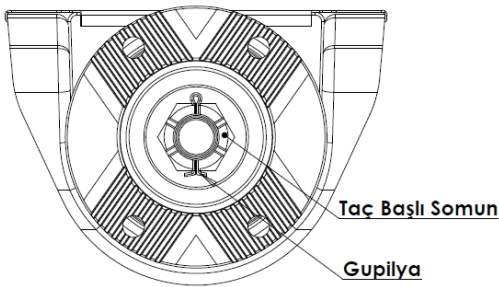
Kilitli somun kullanılarak paketlenen ara yatak gruplarında (Şekil 1.6), askı değişiminde mutlaka kilitli somun da değiştirilmelidir. Yeni kilitli somun uygun değerde torklandıktan sonra eşit

aralıklı iki yerde kilitleme amaçlı ezme yapılmalıdır.



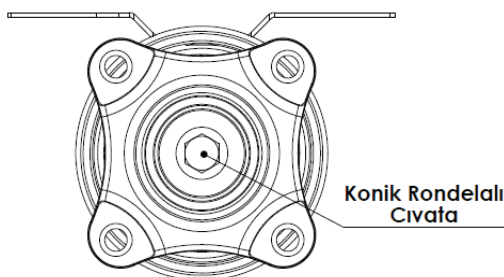
Şekil 1.7

İki çivata kullanılarak paketlenen ara yatak (Şekil 1.7) gruplarında 1 ve 2 numaralı çivatalar sırasıyla uygun değerde torklandıktan sonra 1 numaralı çivata yeniden uygun değerde torklanmalıdır (Torklama sırası 1 - 2 - 1).



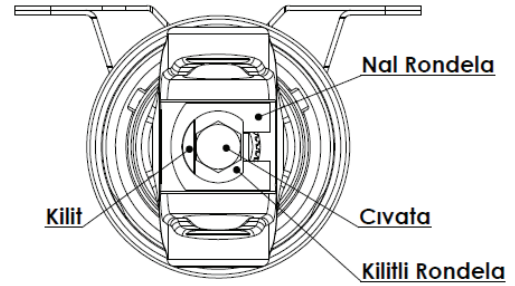
Şekil 1.8

Taç başlı somun ve gupilya kullanılarak paketlenen ara yatak gruplarında (Şekil 1.8) taç başlı somun alt tolerans değerine torklandıktan sonra gupilyanın takılabileceği ilk konuma kadar torklanmaya devam edilmeli, uygun konumda gupilya takıldıktan sonra gupilyanın uçları çıkmayı engelleyecek şekilde açılmalıdır.



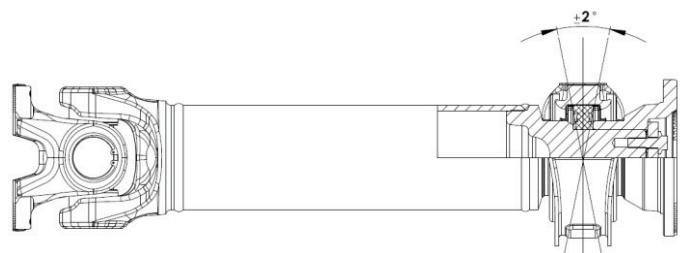
Şekil 1.9

Kilitleme mekanizması olmayan, konik rondelalı çivata ile paketlenen ara yatak gruplarında (Şekil 1.9) çivata montajı öncesi diş profili üzerine gevşemeyi önleyici malzeme (LOCTITE) sürülerek uygun tork değerinde sıkılmalıdır.



Şekil 1.10

Kilitli rondela kullanılan ara yatak grupları (Şekil 1.10) paketlemesinde çivata alt tolerans değerine torklandıktan sonra kilit mekanizmasının kıvrılabileceği ilk konuma kadar torklanmaya devam edilmeli, uygun konumda kilitli rondelanın kilit tarafı çivatanın gevşemesini engelleyecek şekilde yukarı kıvrılarak çivata kilitlenmelidir. Nal rondela olan ara yatak gruplarında nal rondela üzerinde yer alan çıkıntının alt yüzeye (spline boşluğu) gelmesine dikkat edilmelidir.

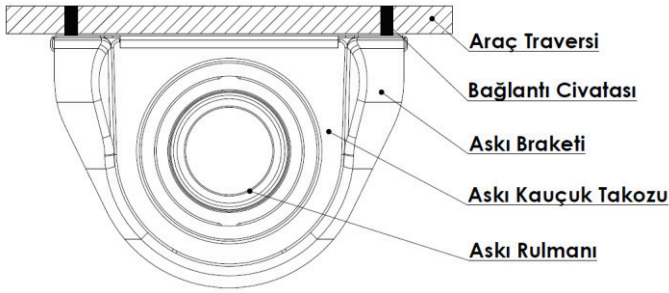


Şekil 1.11

Şekil 1.11 de gösterilen askı ile birlikte montaj yapılan kardan millerinde askı braketini eksenine, ön kardan mili eksenine dik olması önerilmektedir. Askı braketini düzlemi ile ara yatak mili ekseninin arası izin verilen maksimum açı $90^{\circ} \pm 2^{\circ}$ 'dir. (CB.06523.xx.02 numaralı askı için maksimum izin verilen montaj açısı $90^{\circ} \pm 3^{\circ}$ 'dir.)

BAKIM KILAVUZU

Dok.No:	TM-204
Sayfa No:	5/13
Rev.No:	4
Tarih:	05.11.2015



Şekil 1.12

Askının, bağlantı traveresine uygun bağlantı elemanları kullanılarak sıkı şekilde bağlandığından emin olunmalıdır (Şekil 1.12). Askı bağlantısında sadece TİRSAN KARDAN ve araç üreticisi tarafından onaylanmış bağlantı elemanları kullanılmalıdır.

Askı braketi araç traveresine, kardan milinin vites kutusu ve diferansiyel flanşına bağlantıları yapıldıktan sonra sabitlenmelidir.

Kardan mili iki ucunda yer alan bağlantı flanşları sadece TİRSAN KARDAN ya da araç üreticisi tarafından belirlenen bağlantı elemanları ile ve torklama değerleri ile araç üzerine monte edilmelidir. Bağlantı elemanları çapraz olarak torklanmalıdır.

Civata ve somun kullanılarak yapılan montajlarda civatanın mümkünse ara yatak ya da diferansiyel flanşı tarafından yerleştirilmesi önerilir.

İstavroz mafsalı üzerinde oluşabilecek hasarları önlemek için montaj ve demontaj aşamalarının hiçbir aşamasında mafsalın sonuna kadar açılması yapılmamalıdır, gerekirse kardan mili kayış ya da platformlar ile desteklenmelidir. Kardan milinin sökülmesi aşamasında düşmesi engellenmeli ve bağlantı civataları kardan mili desteklendikten sonra tamamen çıkartılmalıdır. Flanşların sökülmesi öncesinde flanş konumunu ve civataların pozisyonunu komple durumunda iken işaretleyiniz.

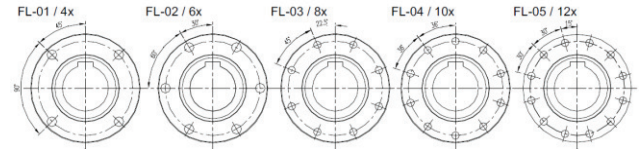
1.3. Flanş Bağlantıları

1.3.1. DIN Flanşlar:

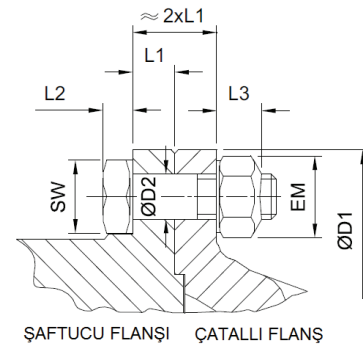
ISO 7646 standardına uygun flanşlarda 10.9 kalite civatalar kullanılmalıdır.

6 Köşe civata : DIN 960-10.9

6 Köşe somun : DIN 980-10



Şekil 1.13



Şekil 1.14

Tablo 1.2

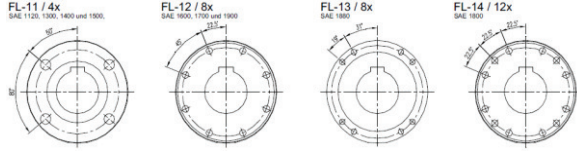
ØD1 mm	L1 mm	ØD2 mm	Flanş	Civata					
				Tip	SW mm	EM mm	L2 mm	L3 mm	Mt Nm
58	4	Ø5	FL-01 (4)	M5x15	8	8.8	3.5	5	9
65	5	Ø6	FL-01 (4)	M6x20	10	11.1	4	6	14
75	6	Ø6	FL-02 (6)	M6x20	10	11.1	4	6	14
90	8	Ø8	FL-01 (4)	M8x1x25	13	14.4	5.3	8	36
100	8	Ø8	FL-02 (6)	M8x1x25	13	14.4	5.3	8	36
120	10	Ø8	FL-03 (8)	M8x1x30	13	14.4	5.3	8	36
150	12	Ø10	FL-03 (8)	M10x1x35	17	18.9	6.4	10	70
		Ø12	FL-04 (10)	M12x1.5x40	19	21.1	7.5	12	120
		Ø14	FL-05 (12)	M14x1.5x45	22	24.5	8.8	14	190
180	14	Ø12	FL-03 (8)	M12x1.5x45	19	21.1	7.5	12	120
		Ø14	FL-04 (10)	M14x1.5x45	22	24.5	8.8	14	190
		Ø16	FL-05 (12)	M16x1.5x50	24	26.8	10	16	300
225	15	Ø16	FL-03 (8)	M12x1.5x50	19	21.1	7.5	12	120
		Ø18	FL-05 (12)	M16x1.5x50	24	26.8	10	16	300
250	18	Ø18	FL-03 (8)	M18x1.5x60	27	30.2	11.5	18	450
285	20	Ø20	FL-03 (8)	M20x1.5x65	30	33.6	12.5	20	620
315	22	Ø22	FL-03 (8)	M22x1.5x75	32	35.8	14	22	830
350	25	Ø22	FL-04 (10)	M22x1.5x75	32	35.8	14	22	830
390	28	Ø24	FL-04 (10)	M24x1.5x85	36	40	15	24	1100
435	32	Ø27	FL-04 (10)	M27x1.5x95	41	45.2	17	27	1600

1.3.2. SAE Flanşlar:

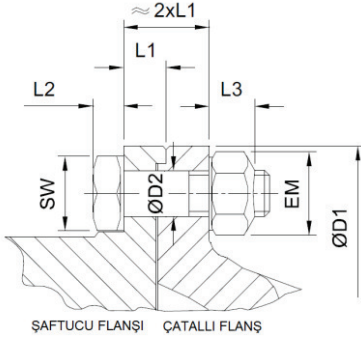
ISO 7647 standardına uygun flanşlarda 10.9 kalite civatalar kullanılmalıdır.

6 Köşe civata : DIN 960-10.9

6 Köşe somun : DIN 980-10



Şekil 1.15



Şekil 1.16

Tablo 1.3

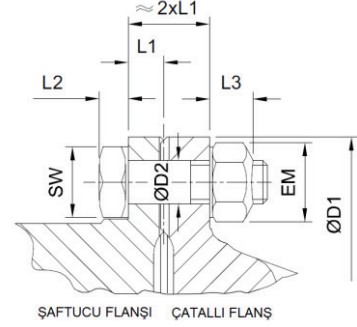
ØD1 mm	SAE Type	L1 mm	ØD3 mm	Flanş	Civata					
					Tip	SW	EM	L2	L3	Mt Nm
90	1100	6	Ø8	FL-11 (4)	M8x1x25 5/16"x1"	13	14.4	5.3	8	36
96	1300	7	Ø10 Ø9.5	FL-11 (4)	M10x1x30 3/8"x1 3/16"	17	18.9	6.4	10	70
116	1400	8	Ø12 Ø11.2	FL-11 (4)	M12x1.5x40 7/16"x1 5/8"	19	21.1	7.5	12	120
150	1500	8	Ø14 Ø12.7	FL-01 (4)	M14x1.5x45 1/2"x1 3/4"	22	24.5	8.8	14	190 120
175	1600	10	Ø10 Ø9.5	FL-12 (8)	M10x1x30 3/8"x1 3/16"	17	18.9	6.4	10	70
203	1700 1800	11	Ø12 Ø11	FL-12 (8) FL-14 (12)	M12x1.5x40 7/16"x1 5/8"	19	21.1	7.5	12	120
245	1880	15	Ø16	FL-13 (8)	M16x1.5x50	24	26.8	10	16	300
250	1900 GS	18	Ø12	FL-14 (12)	M12x1.5x50 7/16"x1 5/8"	19	21.1	7.5	12	120
276	1900	18	Ø16	FL-12 (8)	M16x1.5x60	24	26.8	10	16	300

1.3.3. KV/XS (Cross Serration) Flanşlar:

ISO 12667 ve ISO 8667 standartlarına uygun flanşlarda 10.9 kalite civatalar kullanılmalıdır.

6 Köşe civata : DIN 960-10.9

6 Köşe somun : DIN 980-10

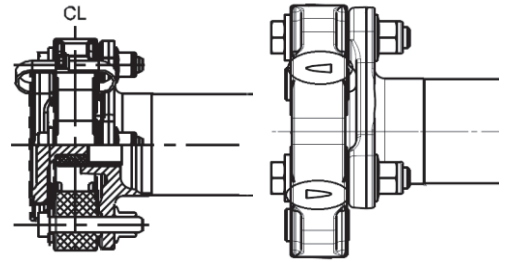


Şekil 1.17

Tablo 1.4

ØD1 mm	L3 mm	ØD2 mm	Civata					
			Tip	SW mm	EM mm	L2 mm	L3 mm	Mt Nm
100	10	Ø8	M8x1x30	13	14.4	5.3	8	36
120	14	Ø11	M10x1x40	17	18.9	6.4	10	70
150	16	Ø13	M12x1.5x45	19	21.1	7.5	12	120
180	18	Ø15	M14x1.5x55	22	24.5	8.8	14	190
200	20	Ø15	M14x1.5x55	22	24.5	8.8	14	190

1.3.4. Elastik Kaplinler:



Şekil 1.18

Elastik kaplinli kardan milleri araç üzerindeki bağlantı flanşlarının çeşidine göre merkezleme flanşlı ve merkezleme flanşsız olarak iki farklı tipte kullanılır.

Bağlantı civataları elastik kaplin üzerinde işaretli ok yönünde yerleştirilir, somunlar ile sıkılır.

6 Köşe civata : DIN 960-10.9

6 Köşe somun : DIN 980-10

Civata Tip	Tork
M12x1.75	100±10Nm
M14x1.5	180±20Nm

BAKIM KILAVUZU		Dok.No:	TM-204
		Sayfa No:	7/13
		Rev.No:	4
		Tarih:	05.11.2015

2. Bakım Bilgileri

Kardan milinin uzun yıllar boyunca uygun şekilde servis verebilmesi için düzenli aralıklar ile bakım yapılması gerekmektedir.

Kardan milinin bakım kapsamı ve aralıkları araç tipi, çalışma, yükleme ve ortam koşullarına göre değişiklik göstermekle birlikte, ilgili detay araç bakım kitapçığında yazılarak son kullanıcı bilgilendirilmelidir.

Araç üreticilerinin kardan mili bakım aralıklarını Tablo 2.1’de periyotlara uygun olarak aracın bakımı yapılacak diğer bileşenlerine ya da düzenli araç servis periyoduna göre koordine etmesi önerilir.

TİRSAN KARDAN tarafından önerilen bakım uygulamaları; küçük Bakım ve Büyük Bakım olarak iki ana gruba ayrılmıştır.

Tablo 2.1

		Bakım Periyotları	
		Küçük Bakım	Büyük Bakım
Ticari Araçlar	Uzun Yol (Yıllık 80.000km ve daha fazla yol kat eden araçlar)	50.000 km 1 yıl	200.000 km 3 yıl
	Şehir İçi (Yıllık 20.000 – 80.000km arası yol kat eden araçlar)	25.000 km 1 yıl	150.000 km 3 yıl
	Off-Road / Şantiye (Yıllık 20.000km ve daha az yol kat eden araçlar)	20.000 km 3 ay	50.000 km 1 yıl
Otobüsler	Uzun Yol (Yıllık 100.000km ve daha fazla yol kat eden araçlar)	50.000 km 1 yıl	150.000 km 2 yıl
	Şehir İçi (Yıllık 100.000km ve daha az yol kat eden araçlar)	25.000 km 6 ay	100.000 km 2 yıl

* km veya yıldan önce dolan geçerlidir.

TİRSAN KARDAN, aracın sahip değiştirmesi ya da bir kazaya karışması durumunda detaylı inceleme yapılmasını önermektedir.

Kardan mili ve bileşenlerine yapılan her bakım ve tamir işlemi ekte yayınlanan “Kardan Mili Bakım Kayıt Formu” üzerine işlenerek kayıt altına alınmalıdır.

ÇIKTISI ALINAN KOPYALAR KONTROLSUZDUR / PRINTED COPIES ARE UNCONTROLLED

2.1. Küçük Bakım

Küçük bakım kardan milinin genel bakım gereklerinin yerine getirilmesidir. Kardan mili araç ya da endüstriyel uygulama üzerinde sökülmeden gerçekleştirilen bakım ve incelemeleri kapsamaktadır.

Araç üzerinde yapılacak her türlü inceleme ve müdahale öncesi aracın durduğundan ve yetkisiz olarak tekrar çalıştırılmayacağından emin olunmalıdır.

1.Kardan mili ve askı bağlantı civatalarının sıklıkları kontrol edilmeli, gerek görülür ise uygun tork değerlerinde tekrar sıkılmalıdır.

Askı bağlantı civataları gevşemiş ise yeniden sıkmadan önce askının doğru hizalanmış olması ve rondelalar üzerinde ezilme olmaması edilmelidir. Hasarlı rondela ve civatalar yenileri ile değiştirilmelidir.

2.Tüm istavroz rulmanları üzerindeki segmanların durumu kontrol edilmelidir. Segmanlar üzerinde dönme veya ezilme olmamalıdır. Ezme yöntemi ile birleştirilen istavrozları tutan ezme tırnaklarının deforme (kırılma-kopma) olup olmadığı kontrol edilmelidir.

3.İstavroz keçelerinin yerinde ve sağlam olduğu kontrol edilmelidir. Bakımlı tip istavrozların gövdesi üzerinde yer alan gresörlüklerin ve koruyucu tapalarının yerinde ve hasarsız olduğu kontrol edilmelidir. Kirli gresörlükler temizlenmelidir.

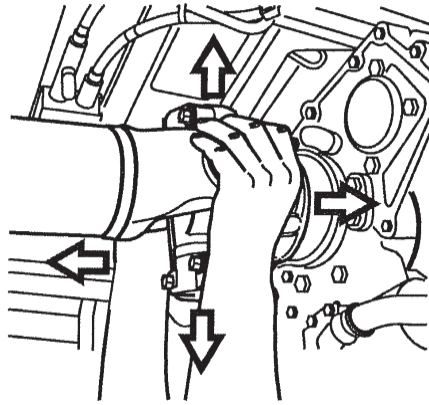
4.İstavroz rulmanları çevresinde aşırı sıcaklık yükselmesinden kaynaklanabilecek renk değişimlerinin olup olmadığı kontrol edilmelidir.

5.Tüm mafsal istavroz rulmanları şekil 2.1 de gösterildiği gibi çıkma yönünde el ile zorlanarak herhangi bir boşluk olup olmadığı gözlemlenmelidir. İstavrozlardaki boşluklar balansın bozulmasına, titreşim ve gürültüye neden olacaktır.

BAKIM KILAVUZU	Dok.No:	TM-204
	Sayfa No:	8/13
	Rev.No:	4
	Tarih:	05.11.2015

6. Balans ağırlıklarının ve bağlantı köprülerinin yerinde ve sağlam olup olmadığı kontrol edilmelidir.

7. Askı, istavroz rulmanları ve kayıcı takım koruyucu keçelerin yerinde ve aşınma/yırtılma v.s. olup olmadığı kontrol edilmelidir.



Şekil 2.1

8. Ara yatak grubu içerisindeki ara yatak flanşının durumu el ile kuvvet uygulanarak kontrol edilmelidir.

9. Kayıcı takım üzerinde yer alan rilsan kaplamanın hasarsız (sıyrılma ve aşınma bulunmamalıdır), ve temiz olup olmadığı kontrol edilmelidir.

10. Kayıcı takım boşlukları el ile kuvvet uygulanarak kontrol edilmelidir.

11. Kardan mili boruları üzerinde herhangi bir sürtme ya da darbe izi, vuruğu, çöküntü, deformasyon olup olmadığı kontrol edilmelidir.

12. İstavroz mafsallının bağlandığı kulaklı parçaların kulak arası bölgelerinde tasarım açısının aşıldığını gösteren sürtme izinin olup olmadığı kontrol edilmelidir.

13. Elastik kaplinli şaftlarda bağlantı civatalarında gevşeme olup-olmadığı, kontrol edilmelidir. Parçalara el ile kuvvet uygulanarak boşluksuz olduğundan emin olunmalıdır.

14. Elastik kaplin üzerinde derin çatlaklar olmamalı iç lifler görünmemelidir. Kauçuk

üzerindeki yüzeysel çatlaklar performansı etkilemez.

Kardan mili ve birim parçaları üzerinde herhangi bir olumsuzluk görülmesi durumunda büyük bakım prosedürü uygulanmalıdır.

2.2. Büyük Bakım

Büyük bakım kardan milinin detaylı bakım gereksinimlerini ve prosedürlerini kapsamaktadır. Tüm büyük bakımlardan önce küçük bakım prosedürleri uygulanmalıdır. Daha sonra kardan mili araç ya da endüstriyel ekipman üzerinden sökülerek detaylı inceleme gerçekleştirilmelidir.

1. Çatalı flanşların bağlı olduğu istavroz mafsallı üzerinde rulmanların boşluğu-sıkılığı, flanşlar yukarı-aşağı ve sağa-sola iterek gözlemlenmelidir. Atlama ve tıkırtı olmamalıdır.

2. Yağlamalı tip istavroz kullanılan kardan millerinde istavroz gövdesi üzerindeki gresörlükler ve rulman keçeleri gözle ve elle kontrol edilmelidir. Keçede deformasyon, dudaklarda yırtık, kopma, kauçuk yüzeyde gözle görülen çatlak tespit edilmesi durumunda istavrozlar yetkili servis tarafından değiştirilmelidir.

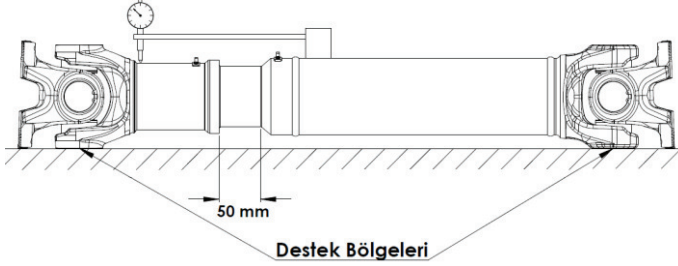
3. İstavrozlara TİRSAN KARDAN tarafından belirlenen gresler kullanılarak tüm istavroz keçelerinden gres taşıncaya kadar gres basılmalıdır. Bir veya daha fazla keçeden gres dışarı çıkmıyor ya da su, kir veya pas gibi maddelerle beraber dışarı çıkıyor ise kardan mili gerekli tamir işleminin yapılabilmesi için yetkili servise gönderilmelidir.

4. Kayıcı takım tümüyle çıkartılarak iç yüzeyler, rilsan kaplama, dişi ve erkek parça üzerindeki spline (diş) profili üzerinde oluşan hasar durumu gözle kontrol edilmelidir.

5. Kayıcı takım üzerindeki koruyucu keçenin durumu gözle ve elle kontrol edilmelidir. Keçede deformasyon, dudaklarda yırtık, kopma, kauçuk

BAKIM KILAVUZU	Dok.No:	TM-204
	Sayfa No:	9/13
	Rev.No:	4
	Tarih:	05.11.2015

yüzeyde gözle görülen çatlak tespit edilmesi durumunda keçe yetkili servis tarafından değiştirilmelidir.



Şekil 2.2

6.Kayıcı takım parçaları üzerinde oluşan boşluk miktarını ölçmek için kardan mili Şekil 2.2’de gösterilen pozisyonda 50 mm açılarak yatırılmalıdır. Boru üzerinden sabitlenen hassas bir komparatör saati ile kayıcı koruyucu kılıfı kaynak bölgesi önündeki sapma okunmalıdır. Kardan milinin yatık pozisyonda ve ortasından (ağırlık merkezi) desteklenerek kaldırılması sırasında izin verilen toplam sapma 0.20mm’yi geçmemelidir.

Not: 110mm den az kayma boyuna sahip kardan milleri ölçümünde kayıcı takım kayma boyunun ½’si kadar açılmalıdır.

7.Kayıcı takım üzerinde hasar ya da uygun olmayan boşluk var ise kardan mili servise gönderilmeli, hasarsız olan kayıcı takım TİRSAN KARDAN tarafından belirtilen gresler kullanılarak yağlandıktan sonra, ok işaretlerinin hizalarına dikkat edilerek birleştirilmelidir.

8.Askı kullanılan kardan millerinde; askı braket, kauçuk takoz ve rulman gözle ve elle kontrol edilmelidir. Askı braket şasi bağlantı slotları, braket gövdesi ve kauçuk takoz üzerinde çatlama, yırtılma, deformasyon v.s. olmamalıdır.

9.Askı kardan mili üzerinde döndürülerek askı rulmanının dönüşü kontrol edilmelidir. Rulman pürüzsüz ve boşluksuz dönmelidir. Askı üzerinde her hangi bir hasar tespit edilmesi durumunda,

askı kompleksi yetkili servis tarafından değiştirilmelidir.

10.Askı değişimi gereken durumlarda hasarlı toz saçları da yenileri ile değiştirilmelidir.

11.Ara yatak flanşının boşluksuz olduğu elle kontrol edilmelidir.

12.Ara yatak flanşı üzerinde yer alan bağlantı elemanı bakım kılavuzunda belirtilen değerde tekrar sıkılarak kilitlenmelidir.

13.Elastik kaplin cıvatalarının uygun tork ile sıkıldığından emin olunmalıdır, servis durumunda elastik kaplin cıvataları ve somunları parçalar değiştirilmelidir.

Kardan milinin, üzerinde yapılacak değişiklik/müdahale sonrasında araca tekrar takılmadan önce yeniden balanslanması gerekmektedir.

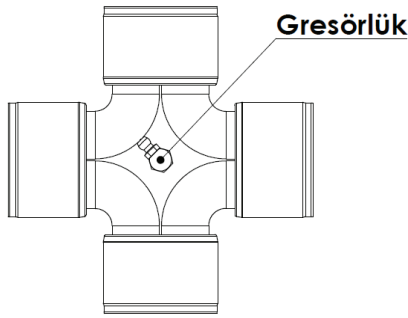
Aşırı yükleme sonucu hasarlanmış, burulmuş, burkulmuş olduğu tespit edilen kardan milleri tamir edilmeye çalışılmamalıdır. Böyle durumlarda kardan mili yenisi ile değiştirilmelidir.

BAKIM KILAVUZU	Dok.No:	TM-204
	Sayfa No:	10/13
	Rev.No:	4
	Tarih:	05.11.2015

3. Yağlama

TİRSAN KARDAN tarafından üretilen kardan milleri bakımlı ve bakımsız olmak üzere iki ana gruba ayrılmaktadır. Bakımsız ürün grupları, belirli periyotlarda yağlama gerektirmeyecek şekilde tasarlanmış ve üretilmiştir.

Bir örneği şekil 3.1’de gösterilen bakımlı tip kardan millerine ait istavroz gövdelerinde TS 10687 (DIN 71412) standardına uygun ağız yapısında gresörlükler bulunmaktadır. Yağlama işlemi uygun yağlayıcı ekipman kullanılarak gerçekleştirilmelidir.



Şekil 3.1

Kayıcı takımlar standart olarak belirli periyotlarda yağlama gerektirmeyecek tiptedir. Ancak bazı modellerde kayıcı takım üzerinde de gresörlük bulunabilir.

Bakımlı tip kardan milleri, hedeflenen ömür sürelerine ulaşabilmesi için uygun periyotlarda kılavuzda belirtilen gresler kullanılarak yağlanmalıdır.

Kayıcı takım yeniden yağlama operasyonunda kayıcının komple kapalı olmasına dikkat edilmelidir.

Yağlama işlemi öncesi gresörlüklerin temiz olduğundan emin olunmalıdır. Kirli gresörlükler yağlama öncesi temizlenmelidir. Yağlama yüksek basınçlı pompalar kullanılarak yapılmamalıdır (Yağlama basıncı ≤ 15 bar)

Yağlama sonrası gresörlük üzerinde yer alan koruyucu tapalar tekrar yerine takılmalıdır. Eksik

ya da hasar görmüş tapalar yenileri ile değiştirilmelidir.

Üzerinde gresörlük olmayan askı komplelerinde, askı rulmanı özel keçeler kullanılarak ve gres ile doldurularak servis gerektirmeyecek şekilde tasarlanmıştır. Gresörlüklü askılar kayıcı takımlar ile aynı periyotta yağlanmalıdır.

Altı aydan uzun süre saklanan bakımlı tip kardan milleri, ilk kullanımdan önce mutlaka yeniden yağlanmalıdır.

Gresörlüklerden uygun gres yağı harici hiçbir malzeme basılmamalı, hava, su ya da diğer çözücü malzemeler uygulanmamalıdır.

3.1. Kullanılacak Gresler

Kardan milleri soğuk, normal ve sıcak iklim koşullarına göre detayları tablo 3.1’de belirtilen gres tipleri ile yağlanmalıdır.

Tablo 3.1

Spesifik Özellikler	İklim Koşulları		
	Arktik Bölge (Kutuplar)	Soğuk İklim	Normal İklim
Çalışma Sıcaklığı	-60°C/+100°C	-45°C/+130°C	-20°C/+150°C
Sabun Cinsi	Lityum Kompleks	Lityum Kompleks	Lityum Kompleks
NLGI Sınıfı	1-2	2	2
İşlenmiş Penetrasyon	280 / 310 (Pw 60 / DIN ISO 2137)	max.40 (Pw 60 / DIN ISO 2137)	265-295 (25°C ASTM-D217)
Damlama Noktası	> 180 °C (IP 396)	> 180 °C (IP 396)	min. 250 °C (ASTM-D 2265)
Önerilen Gresler	FUCHS RENOLIT S 2	FUCHS GLEITMO 585 K	SHELL GADUS S3 V220C2

TİRSAN KARDAN tarafından önerilen diğer gresler için TM-116 nolu TİRSAN KARDAN standardına bakınız.

Yağlama sırasında farklı sabun cinsine sahip gresler birbirleri ile karıştırılmamalıdır.

BAKIM KILAVUZU		Dok.No:	TM-204
		Sayfa No:	11/13
		Rev.No:	4
		Tarih:	05.11.2015

Yağlamada sadece NLGI sınıfı 2 ve Lityum-Kompleks sabunlu gresler kullanılmalı, MoS₂ katkılı gresler kullanılmamalıdır.

3.2. Yağlama Periyotları

TİRSAN KARDAN tarafından aksi belirtilmediği sürece kardan mili tablo 3.2’de yer alan standart yağlama periyotlarında ya da bu koşullara en yakın araç bakım periyotlarında ve TİRSAN KARDAN tarafından önerilen gresler ile yeniden yağlanmalıdır.

Tablo 3.2

Araç Kullanım Amacı		Yağlama Periyotları	
		İstavroz ve Kayıcı Takım	
Ticari Araçlar	Uzun Yol (Yıllık 80.000 km ve daha fazla yol kat eden araçlar)	50.000 km 6 ay	
	Değişken Yol (Yıllık 20.000 – 80.000 km arası yol kat eden araçlar)	25.000 km 6 ay	
	Şehir İçi (Yıllık 20.000 – 80.000 km arası yol kat eden araçlar)	25.000 km 3 ay	
	Off-Road / Şantiye (Yıllık 20.000 km ve daha az yol kat eden araçlar)	12.500 km 3 ay	
Otobüsler	Uzun Yol (Yıllık 80.000 km ve daha fazla yol kat eden araçlar)	50.000 km 6 ay	
	Değişken Yol (Yıllık 100.000km ve daha az yol kat eden araçlar)	25.000 km 6 ay	
	Şehir İçi (Yıllık 100.000 km ve daha az yol kat eden araçlar)	25.000 km 3 ay	

* km veya yıldan önce dolan, (Sadece bakımlı (gresörlüklü) tip kardan milleri için geçerlidir).
Yüksek ortam sıcaklığında çalışan kardan millerinin daha yüksek performans ile

çalışabilmesi yağlama sıklıklarının düşürülmesi tavsiye edilmektedir.

4. Tamir

TİRSAN KARDAN tarafından üretilen kardan milleri sadece araç yetkili servisi ve TİRSAN KARDAN tarafından yetkilendirilmiş diğer servis merkezlerinde tamir edilebilir.

Yetkili merkezler dışında yapılacak her türlü müdahale ve tamirat ürünü garanti kapsamı dışında bırakacaktır.

Kardan milinin tamiri sadece orijinal yedek parçalar kullanılarak yapılmalıdır.

Kardan milinin araç üzerinden sökülmesi ve yeniden montaj yapılması durumunda kılavuzda belirtilen tüm hususlara dikkat edilmelidir.

Tamir öncesi kardan mili yüksek basınçlı su ve buhar jeti ile yıkanmamalı, temizlik sırasında yüksek çözme ve aşındırma özelliği olan maddeler kullanılmamalıdır.

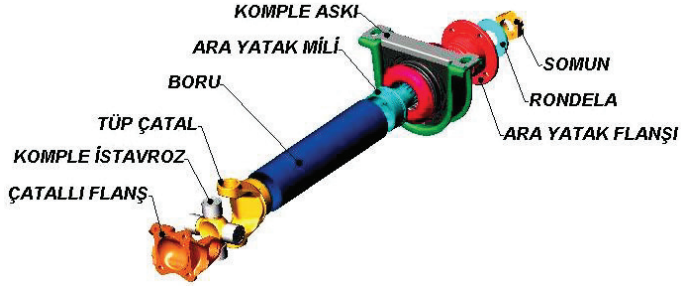
Araç üzerinde kardan milinin tekrar boyanması durumunda rilsan kaplı bölgenin ve tüm keçelerin boya ile teması engellenmelidir.

Araç üzerinde aks aralığının değiştirilmesi, sonradan retarder uygulanması, diferansiyelin ya da vites kutusunun değiştirilmesi ya da modifiye edilmesi, araç ağırlığının artırılması ya da motor gücünün artırılması gibi uygulamalar kardan mili üzerinde oluşan yüklerin değişmesine neden olabilmektedir. Bu yöndeki uygulamalar için TİRSAN KARDAN’ın onayı alınmalı ve değişiklikler yetkili servis noktalarında yapılmalıdır.

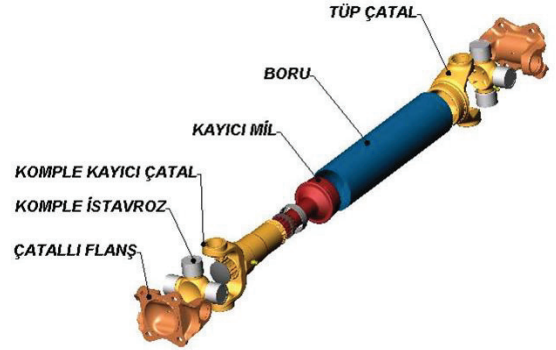
BAKIM KILAVUZU

5. Kardan Mili Bileşenleri

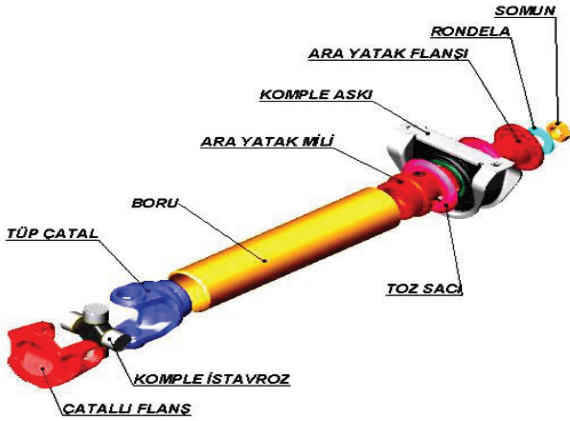
SAE SERİ – ÖN (FS)



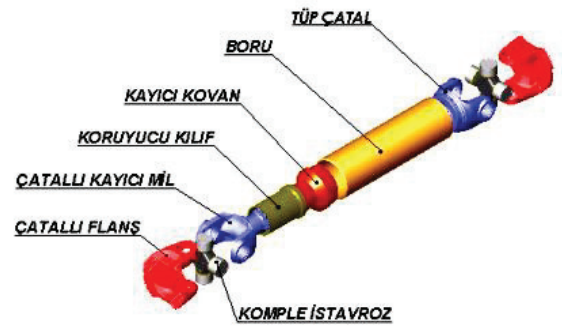
SAE SERİ – ARKA (RS)



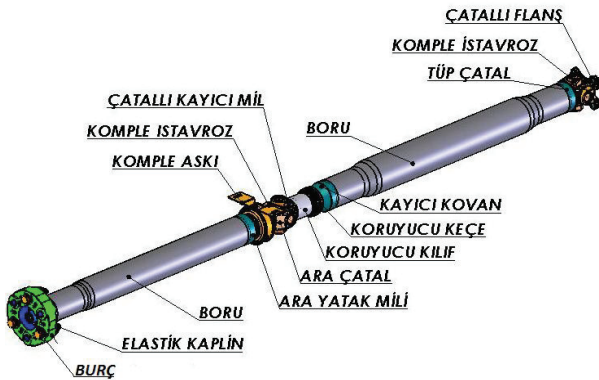
KOMPAKT SERİ – ÖN (FS)



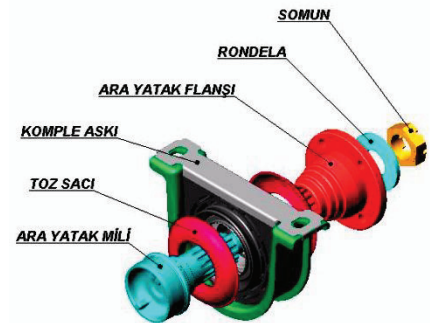
KOMPAKT SERİ – ARKA (RS)



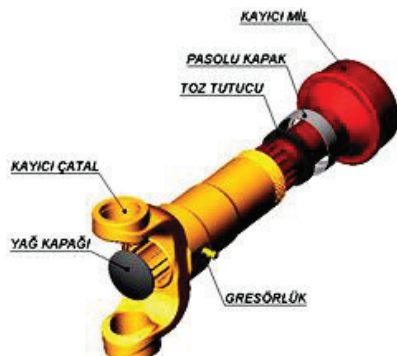
ÇOK PARÇALI KARDAN MİLİ – İKİ PARÇALI (TW)



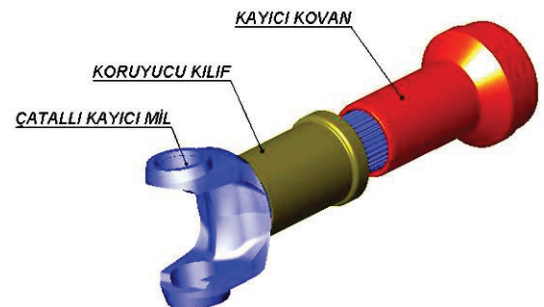
ARA YATAK GRUBU (MA)



KAYICI MAFSAL – SAE (SJ)



KAYICI MAFSAL – DIN (SA)



ÇIKTISI ALINAN KOPYALAR KONTROLSUZDUR / PRINTED COPIES ARE UNCONTROLLED

BAKIM KILAVUZU		Dok.No:	TM-204
		Sayfa No:	13/13
		Rev.No:	4
		Tarih:	05.11.2015

TİRSAN KARDAN – KARDAN MİLİ BAKIM KAYIT FORMU

ARAÇ BİLGİLERİ	Marka :	Model :	Model Yılı:	Plaka:

Bakım	Tarih	Araç KM si	Servis	Bakım Türü	Bulgular:
1.				<input type="checkbox"/> Küçük Bakım	
				<input type="checkbox"/> Büyük Bakım	
2.				<input type="checkbox"/> Küçük Bakım	
				<input type="checkbox"/> Büyük Bakım	
3.				<input type="checkbox"/> Küçük Bakım	
				<input type="checkbox"/> Büyük Bakım	
4.				<input type="checkbox"/> Küçük Bakım	
				<input type="checkbox"/> Büyük Bakım	
5.				<input type="checkbox"/> Küçük Bakım	
				<input type="checkbox"/> Büyük Bakım	
6.				<input type="checkbox"/> Küçük Bakım	
				<input type="checkbox"/> Büyük Bakım	
7.				<input type="checkbox"/> Küçük Bakım	
				<input type="checkbox"/> Büyük Bakım	
8.				<input type="checkbox"/> Küçük Bakım	
				<input type="checkbox"/> Büyük Bakım	
9.				<input type="checkbox"/> Küçük Bakım	
				<input type="checkbox"/> Büyük Bakım	
10.				<input type="checkbox"/> Küçük Bakım	
				<input type="checkbox"/> Büyük Bakım	
11.				<input type="checkbox"/> Küçük Bakım	
				<input type="checkbox"/> Büyük Bakım	
12.				<input type="checkbox"/> Küçük Bakım	
				<input type="checkbox"/> Büyük Bakım	
13.				<input type="checkbox"/> Küçük Bakım	
				<input type="checkbox"/> Büyük Bakım	